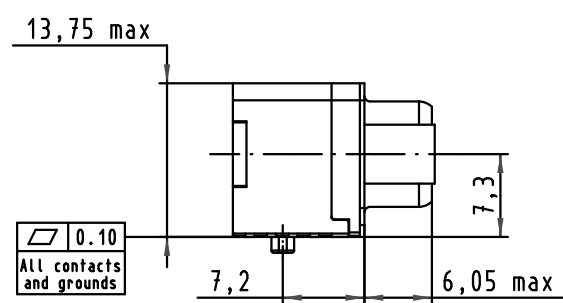
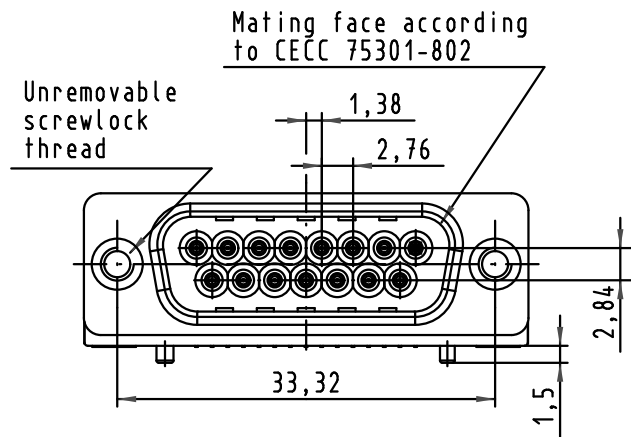


PCB Layout, component side (thickness 1,6mm min.)

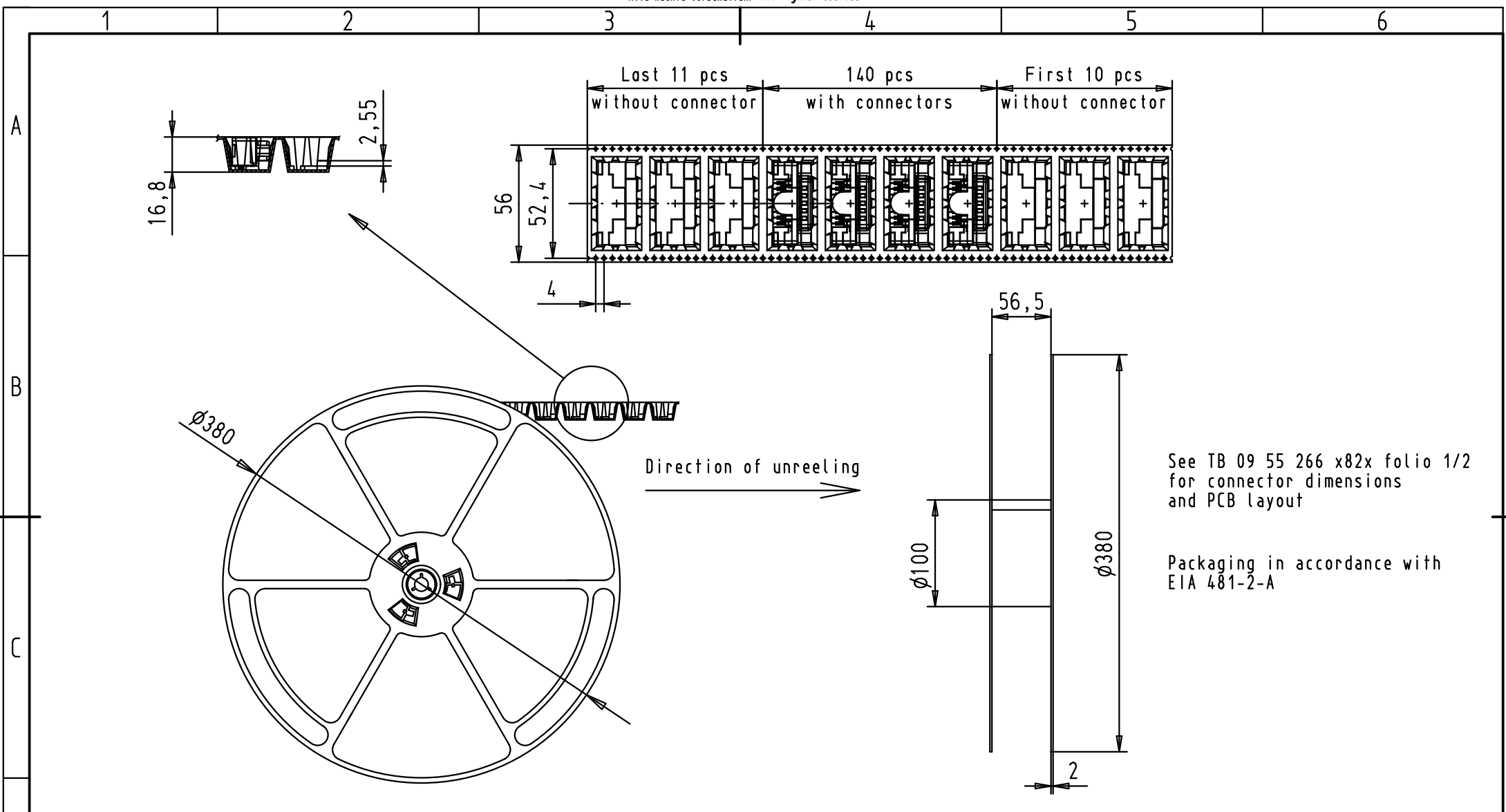


Max. Temperature: 260°C during 10 seconds

Part number	PL	Thread	Index designation	Mod.	Dot.	Name	Dot.	Name	D-SUB SMT Standard Male 15p with die casted grounds and unremovable screwlocks		Maßstab/ Scale
09552663822.741	1	4-40 UNC	Black Insulator	Reel Packaging (140 connectors) see page 2/2						All Dim. in mm Orig. Size DIN A 4	1,5:1
09552666822.741	2						Detail.	29Sep2009	LP		
09552667822.741	3						Insp.				
09552663821.741	1	M3	Black Insulator	Reel Packaging (140 connectors) see page 2/2						All Dim. in mm Orig. Size DIN A 4	1,5:1
09552666821.741	2						Stand.				
09552667821.741	3						Insp.				
09552663821.741	1	M3	Black Insulator	Reel Packaging (140 connectors) see page 2/2						All Dim. in mm Orig. Size DIN A 4	1,5:1
09552666821.741	2						Stand.				
09552667821.741	3						Insp.				
Part number	PL	Thread	Index designation	Mod.	Dot.	Name	HARTING EURL F-95972 Paris		TB 09 55 266 x82x		Blatt/ Page 1/2




Sub.



See TB 09 55 266 x82x folio 1/2 for connector dimensions and PCB layout

Packaging in accordance with EIA 481-2-A

D	09552663822.741	1	4-40 UNC	Black Insulator	Reel Packaging (140 connectors)				Dot.	Name	 All Dim. in mm Orig. Size DIN A 4	D-SUB SMT Standard Male 15p with die casted grounds and unremovable screwlocks	Maßstab/ Scale	
	09552666822.741	2							Detail.	17Jul2006				ED
	09552567822.741	3							Insp.					
	09552663821.741	1	M3						Stand.			HARTING EURL F-95972 Paris	TB 09 55 266 x82x	Blatt/ Page 2 / 2
	09552666821.741	2							EC02316	30Aug2010	ED			
	09552667821.741	3							EC01257	25Jan2010	ED			
	Part number	PL	Thread	Index designation	Mod.	Dot.	Name			Sub.				