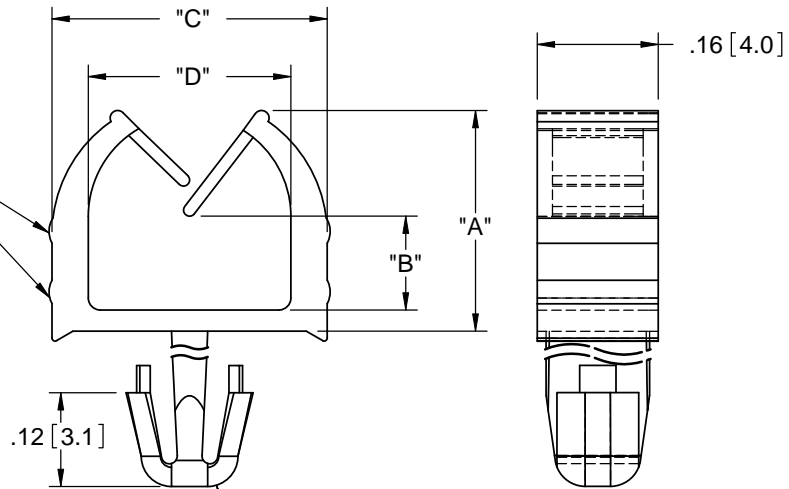


NYLON 6/6 (RMS-01) COLOR: NATURAL PART NO.	FLAME RETARDANT NYLON 6/6 (RMS-19) COLOR: NATURAL PART NO.	"A" REF.	"B" REF.	"C" REF.	"D" REF.	NOMINAL PANEL THICKNESS
*MWSEA2-1-01	*MWSEA2-1-19	.29 [7.3]	.12 [3.0]	.36 [9.1]	.26 [6.7]	.063 [1.6]
MWSEA2-2-01	MWSEA2-2-19	.36 [9.1]	.16 [3.9]	.42 [10.8]	.32 [8.1]	
MWSEA2-3-01	MWSEA2-3-19	.44 [11.2]	.24 [6.0]	.47 [12.0]	.36 [9.1]	
MWSEA2-4-01	MWSEA2-4-19	.51 [13.0]	.30 [7.7]			
*MWSEA2-1-1-01	*MWSEA2-1-1-19	.29 [7.3]	.12 [3.0]	.36 [9.1]	.26 [6.7]	.093 [2.36]
MWSEA2-1-2-01	MWSEA2-1-2-19	.36 [9.1]	.16 [3.9]	.42 [10.8]	.32 [8.1]	
MWSEA2-1-3-01	MWSEA2-1-3-19	.44 [11.2]	.24 [6.0]	.47 [12.0]	.36 [9.1]	
MWSEA2-1-4-01	MWSEA2-1-4-19	.51 [13.0]	.30 [7.7]			

*SLIGHT PROTRUSIONS
MAY APPEAR ON PARTS



TO SNAP-LOCK IN A .138±.002
[3.5 ± 0.05] HOLE DIA. IN A
PANEL THICKNESS INDICATED

REV.	DESCRIPTION	ENGR.	DATE	TITLE:	FILE #:	DWN:	APP:	DWG IN IN [MM]	PRINT TYPE
F	SEE CO 200190 FOR CHANGES	S.K.	05/22/08	MICRO WIRE SADDLE	MWSEA2	SM	-	FINAL	 CA
E	COMPLETELY REDRAWN, SEE ECN #709	SM	10.06.03	CREATED USING SOLIDWORKS					
D	UPDATED TABLE AND ADDED .093 [2.36] PANEL THK.	SM	05.01.02	TOLERANCES UNLESS NOTED	SHEET: 1 OF 1	SHEET SIZE: A	DT: 10/02/03	CHKD: -	
C	P/N FOR RMS-19 ADDED TO TABLE	J.L.	08.08.00	.XX=±.010	RE: RICHCO, INC.	RICHCO, INC.		PART #	
B	FR-NYLON (RMS-19) ADDED	J.L.	09.22.98	.XXX=±.005	RICHCO, INC.		ENG@RICHCO-INC.COM	SEE TABLE	
A	DIM .16 [4.0] WAS .17 [4.3]	J.L.	03.06.98	FRAC.=±1/64	RICHCO, INC.		(773) 539-4060		
				ANG.=±1°					