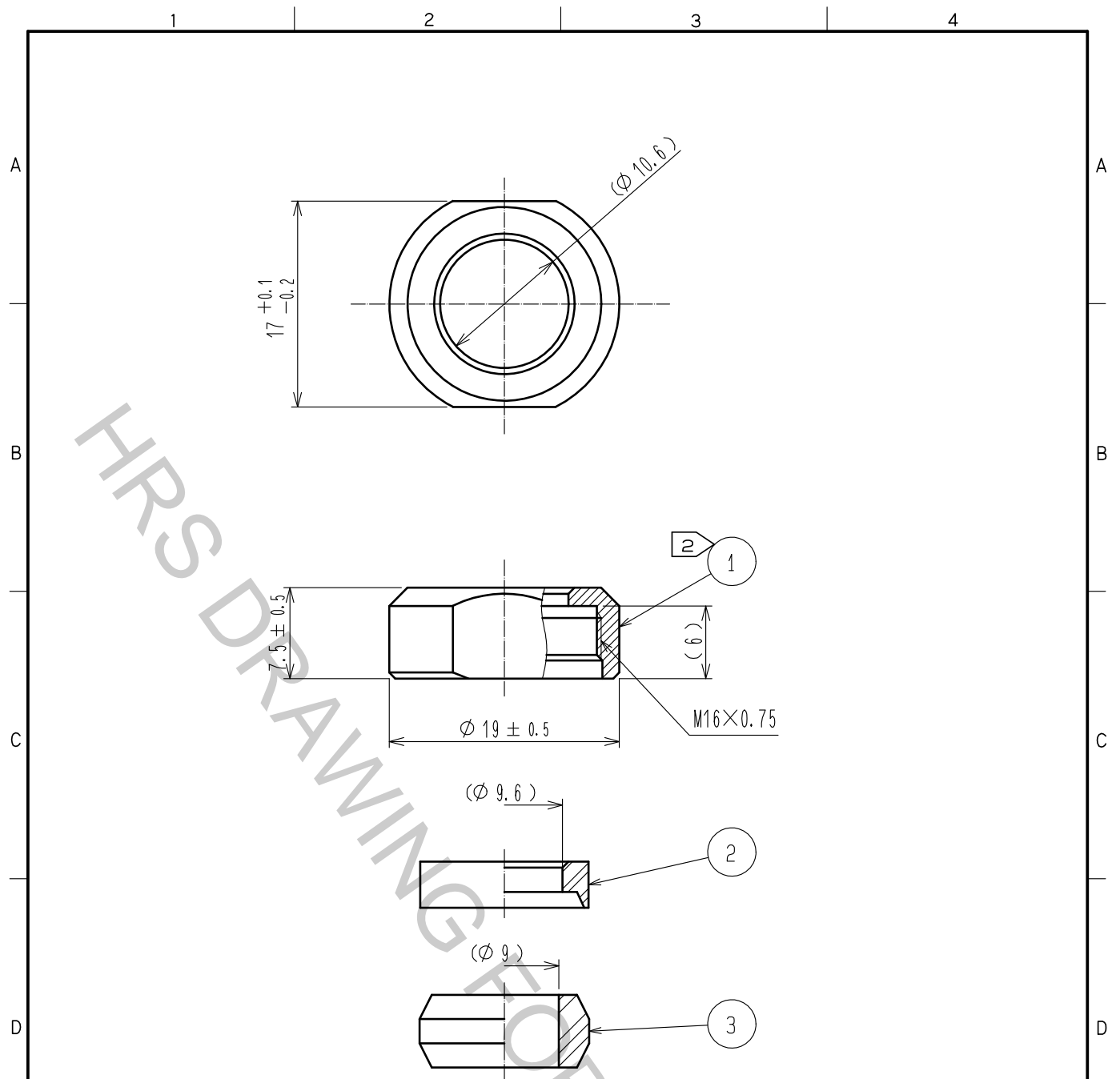


Aug.1.2018 Copyright 2018 HIROSE ELECTRIC CO., LTD. All Rights Reserved.
 In case that the application demands a high level of reliability, such as automotive,
 please contact a company representative for further information.



- Notes
- 1 This product is delivered disassembled.
 - 2 The recommended clamp torque of Ref.No. ① to be 2 to 2.5N · m.
 LOCTITE 263, Henkel Japan or equivalent is recommended to prevent
 Ref.No. ① from loosening.
 - 3 The cable pull and twisting strength and other characteristics may differ,
 depending on the cable structure. please before the use.

2	POLYPHENYLENE SULFIDE (BLACK)	UL94V-0								
1	BRASS	BLACK CROME PLATING	3	ACRYLONITRILE BUTADIENE RUBBER (GRAY)						
NO.	MATERIAL	FINISH .	REMARKS	NO.	MATERIAL	FINISH .	REMARKS			
	UNITS mm		SCALE 2 : 1		COUNT	DESCRIPTION OF REVISIONS		DESIGNED	CHECKED	DATE
HIROSE ELECTRIC CO., LTD.		APPROVED :HY. KOBAYASHI		18. 02. 26		DRAWING NO.		EDC-110623-31-00		
		CHECKED :HY. KOBAYASHI		18. 02. 26		PART NO.		JR13WCCA-9(31)		
		DESIGNED :TH. KAMEYA		18. 02. 24		CODE NO.		CL114-2074-9-31		
		DRAWN :MK. INOUE		18. 02. 14						1/1