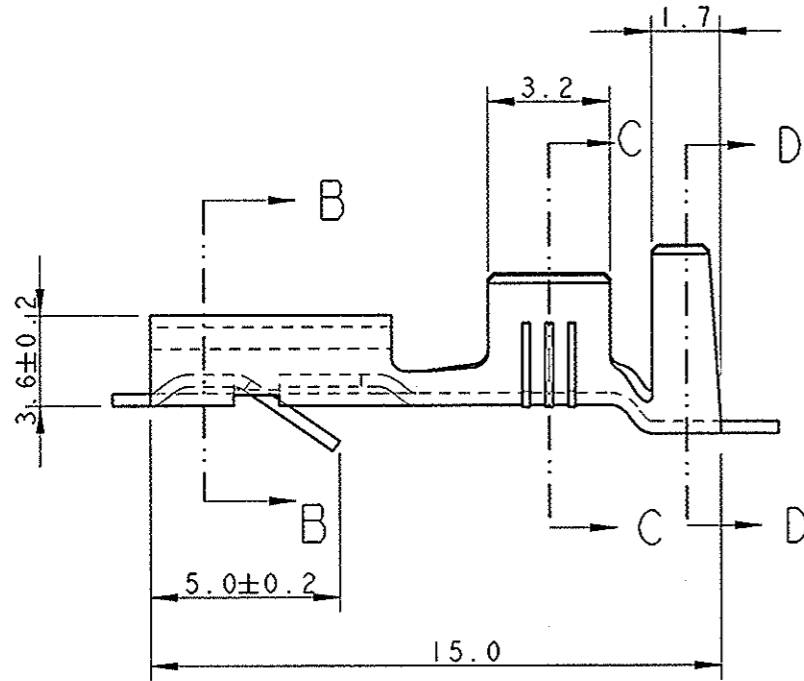
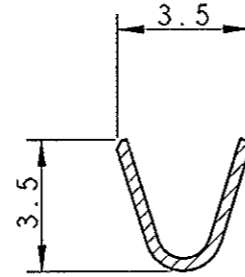


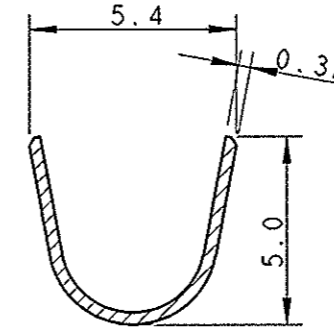
LOC	DIST	REVISIONS					
		P	LTR	DESCRIPTION	DATE	DWN	APVD
1	-		L	REDRAWN CHANGED BASE MTL. ET00-0108-04	17MAY2004	AV	GT



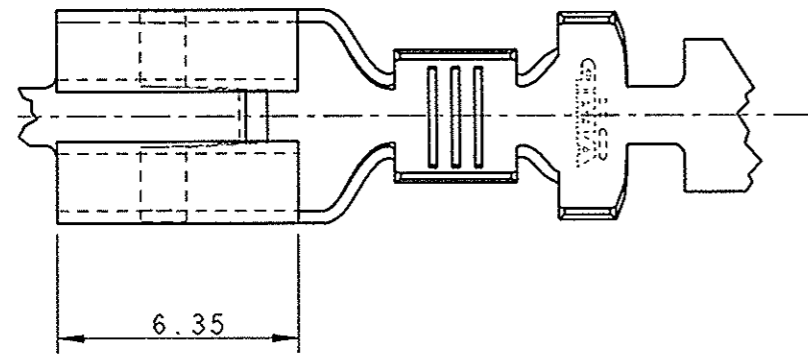
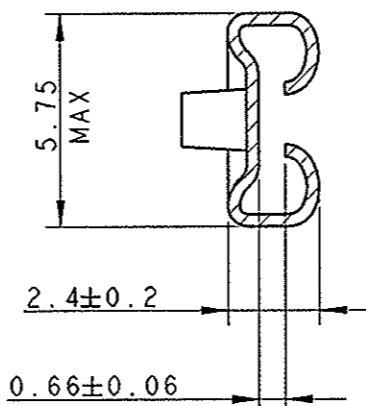
SECTION C-C



SECTION D-D

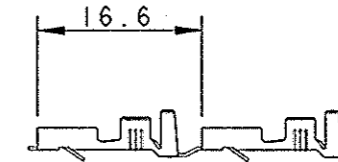


SECTION B-B



ADATTO PER UNA LINGUETTA DI 0.8 mm DI SPESSORE  
(SUITABLE FOR 0.8 mm THK TAB)

1) CONDIZIONI DI FORNITURA  
(SUPPLYING CONDITION)



SENSO DI USCITA DELLA BOBINA  
(DIRECTION OFF TOP OF REEL)

2) BOBINATO SU BOBINA DA 12" CON CARTA INTERPOSTA TRA LE SPIRE  
(REELED ON 12" CARTON REEL WITH INTERLEAVE PAPER STRIP)

DIAMETRO ISOLANTE 3.0 - 4.3 mm  
(INS. DIA. RANGE 3.0-4.3mm)

RANGO FILO 1.0-2.5 mm<sup>2</sup>  
(WIRE RANGE 1.0-2.5 mm<sup>2</sup>)

PART NUMBER 281197-2 AS SHOWN

<small>THIS DRAWING IS A CONTROLLED DOCUMENT FOR TYCO ELECTRONICS CORPORATION IT IS SUBJECT TO CHANGE AND THE CONTROLLING ENGINEERING ORGANIZATION SHOULD BE CONTACTED FOR THE LATEST REVISION.</small>		DWN 17MAY2004 A. Vecchia CHK 17MAY2004 G. Tartari APVD 17MAY2004 G. Turco	<b>tyco</b> Electronics tyco Electronics AMP Italia S.p.A. 10093 Collegrò TO
DIMENSIONS: mm	TOLERANCES UNLESS OTHERWISE SPECIFIED: 0 PLC ±0.3 1 PLC ± 2 PLC ± 3 PLC ± 4 PLC ± ANGLES ±2°	PRODUCT SPEC 20020 APPLICATION SPEC 20011 WEIGHT -	NAME FASTIN-FASTON Connector 4.8 mm sr. REC. CONTACT
MATERIAL BRONZO FOSFOROSO (PH. BRONZE)	FINISH PRE-STAGNATO (Pre-tin plated)	SIZE A3	CAGE CODE 00779
CUSTOMER DRAWING		DRAWING NO C-281197	RESTRICTED TO
		SCALE 5:1	SHEET 1 OF 1 REV L