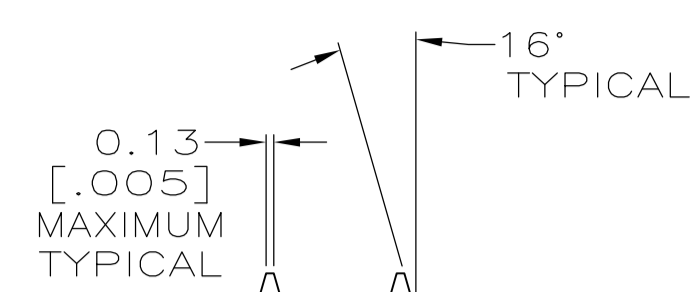
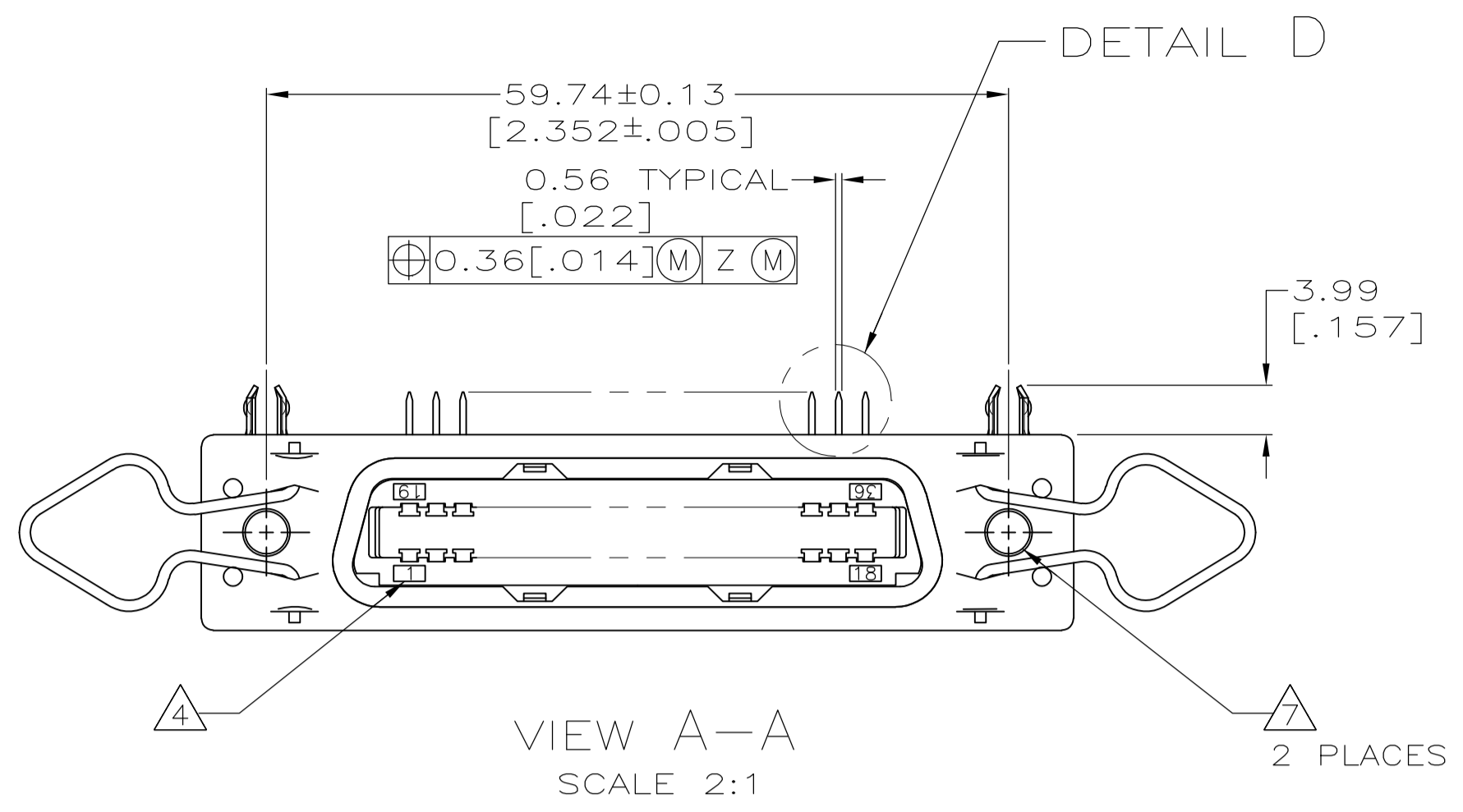


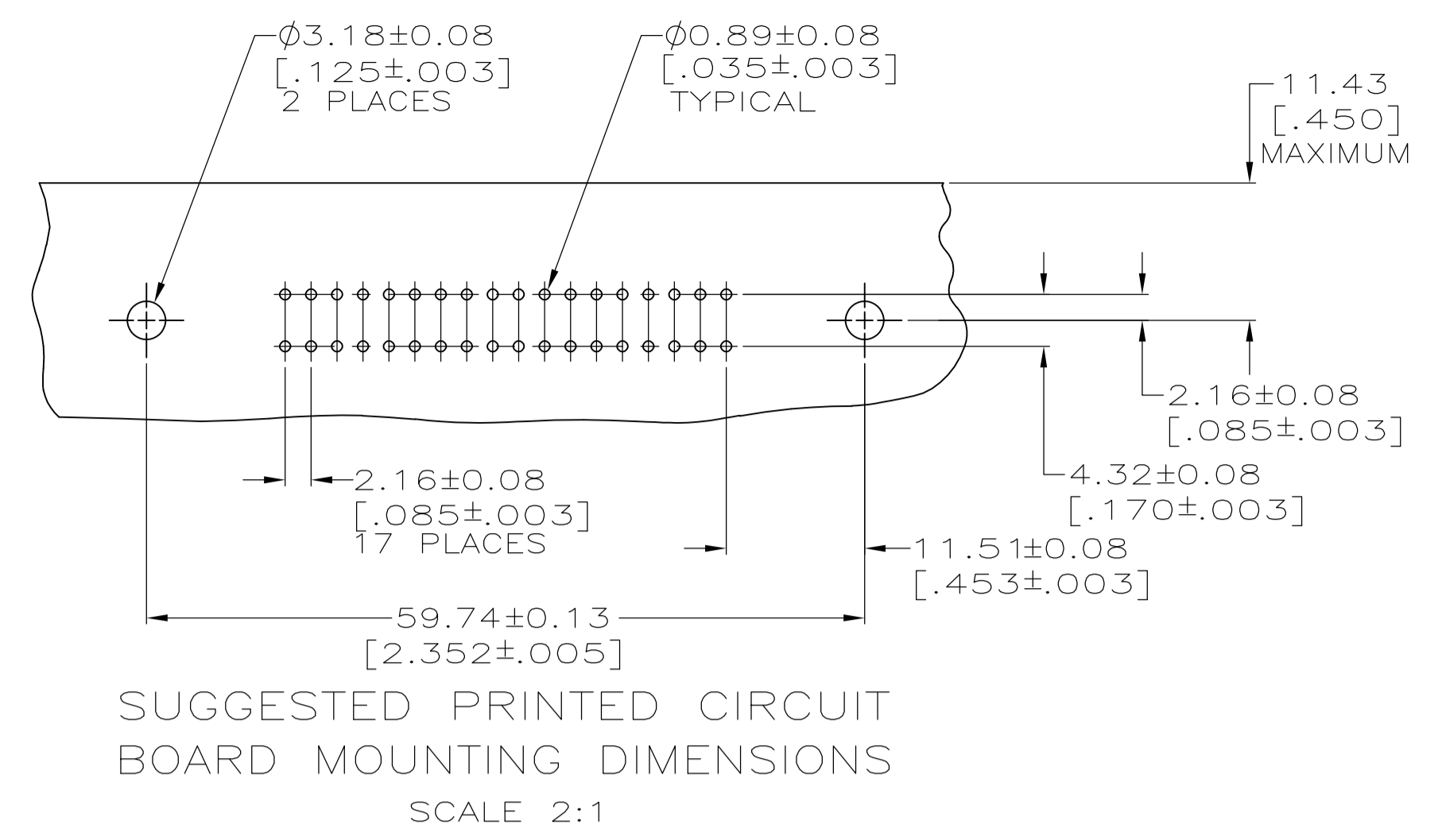
LOC	DIST	REVISIONS			
GP	00	REV	DESCRIPTION	DATE	BY
B		1	REVISED PER ECO-08-007327	09APR08	BM



DETAIL D
SCALE 8:1

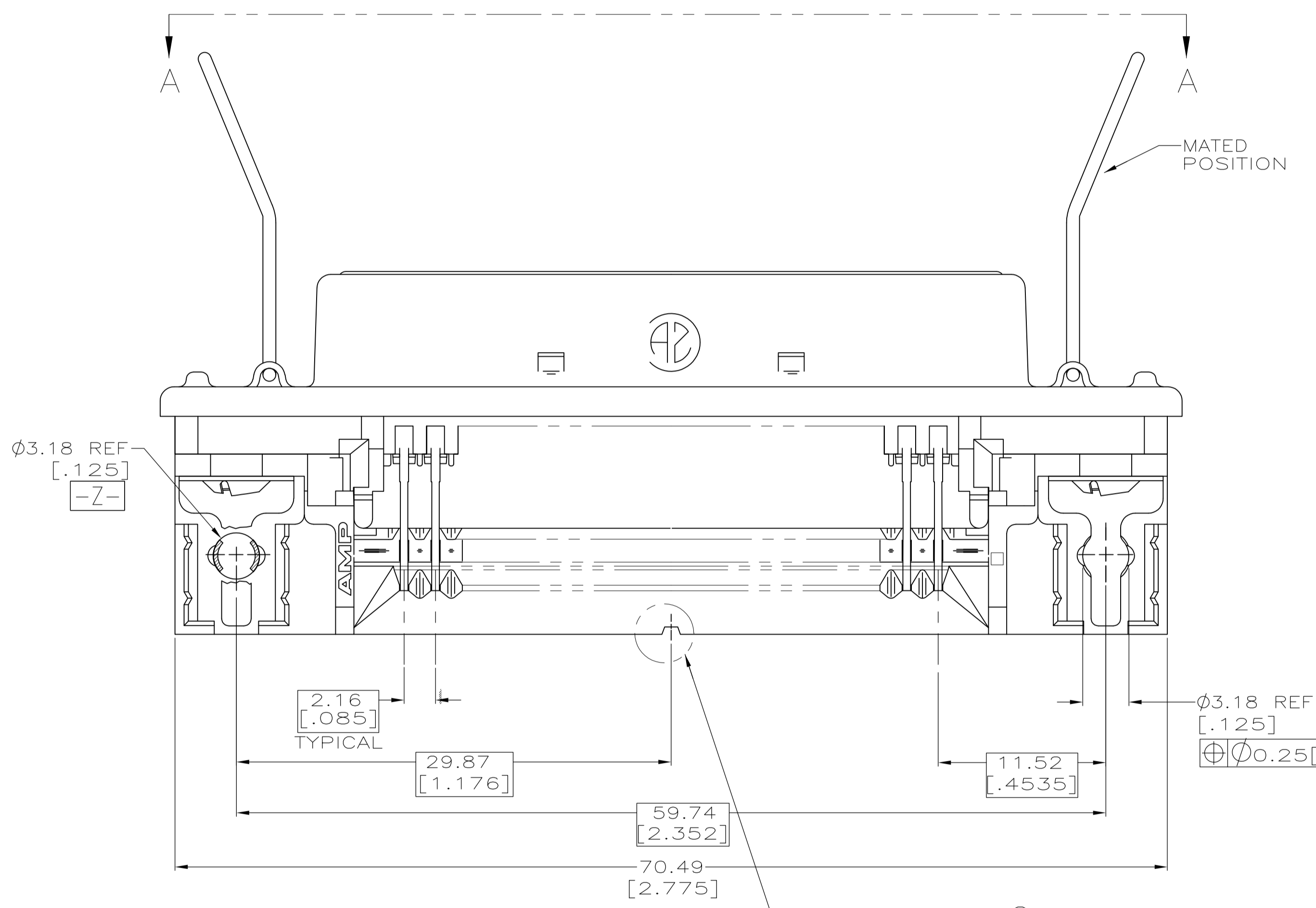


VIEW A-A
SCALE 2:1

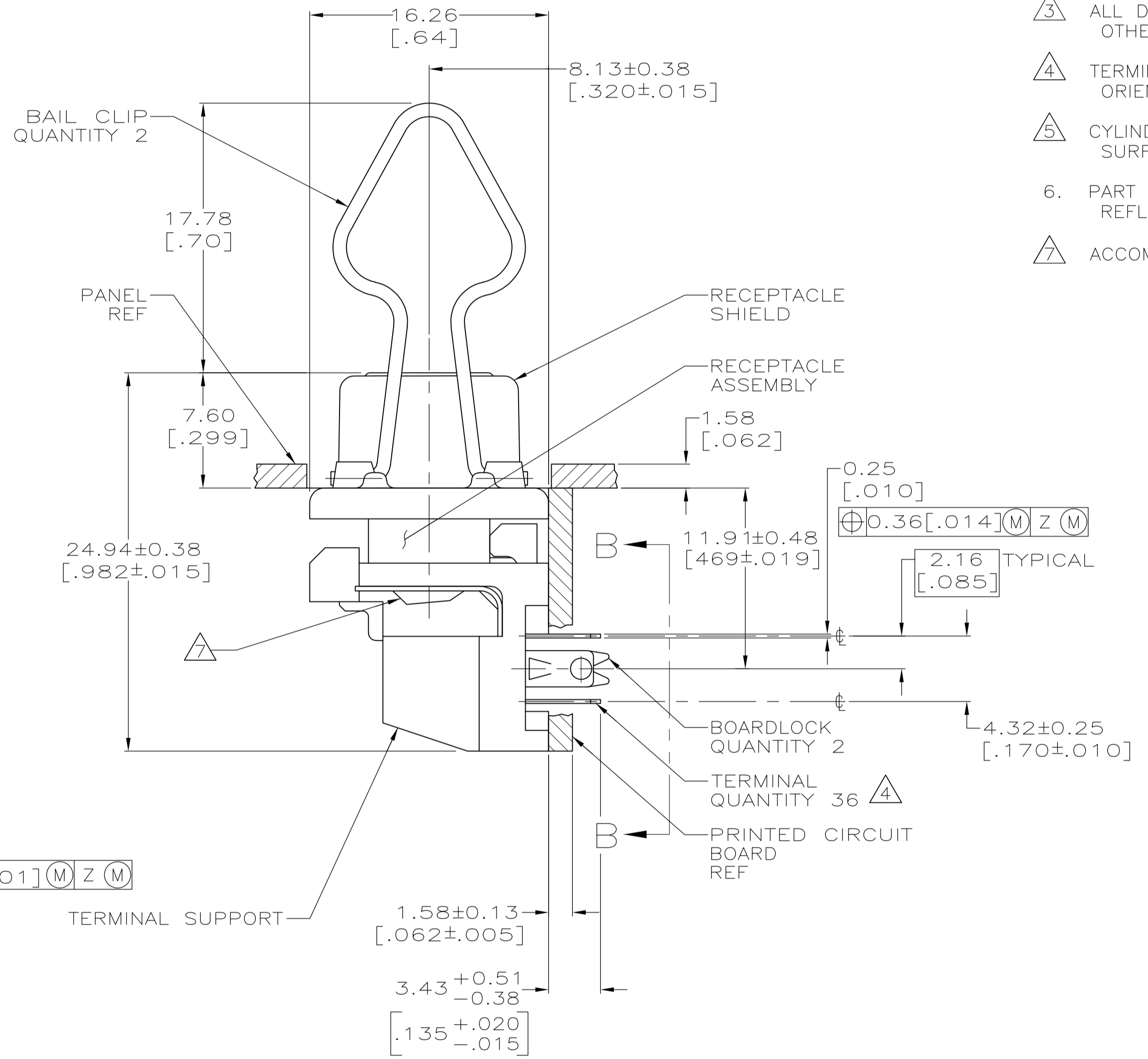


SUGGESTED PRINTED CIRCUIT BOARD MOUNTING DIMENSIONS
SCALE 2:1

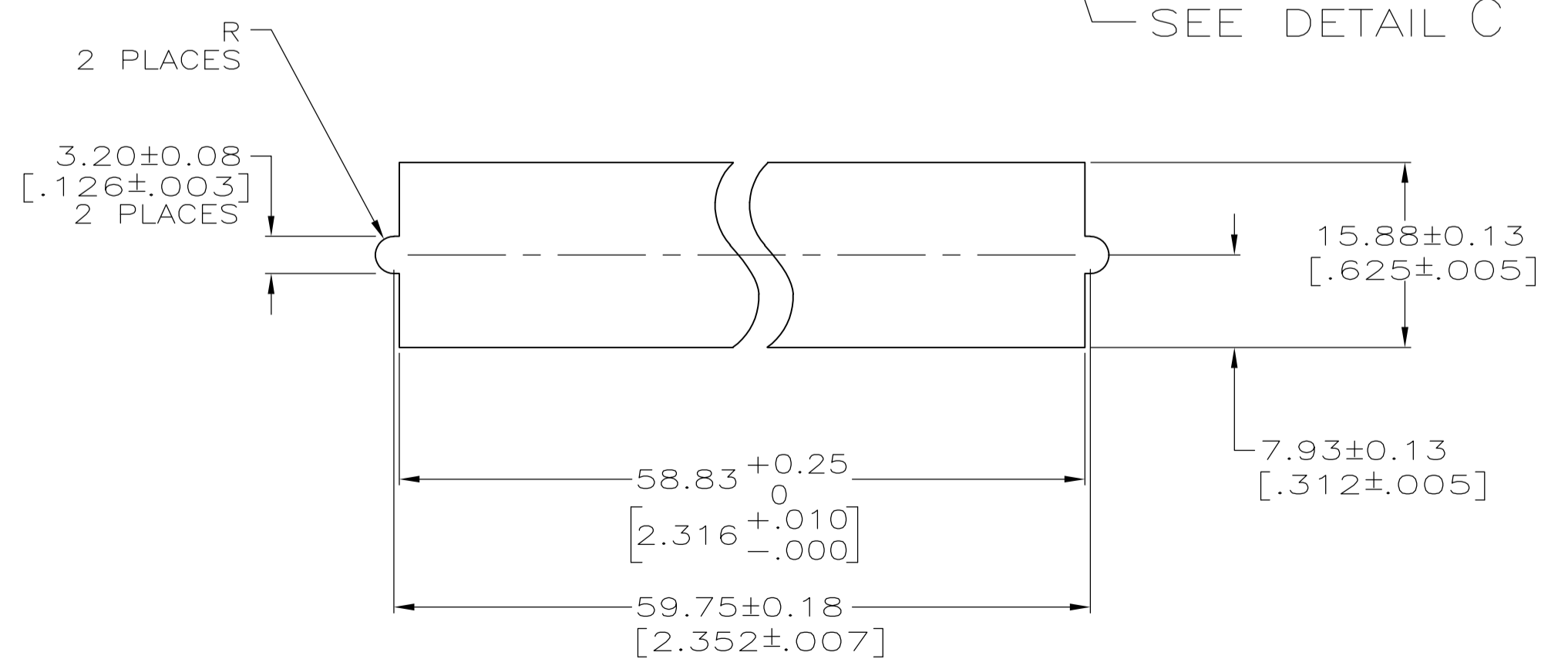
- 1 MATERIAL:
TERMINAL SUPPORT - 94 V-O HTN, BLACK, OR EQUIVALENT.
HOUSING - 94 V-O HTN, BLACK, OR EQUIVALENT.
BAIL CLIPS - PASSIVATED STAINLESS STEEL.
RECEPTACLE SHIELD - BRIGHT NICKEL OVER CARBON STEEL.
TERMINALS - HIGH STRENGTH COPPER ALLOY PLATED WITH EITHER 0.76µm [.000030] MIN GOLD PLATE OR GOLD FLASH OVER PALLADIUM NICKEL PLATE, 0.76µm [.000030] MIN TOTAL ON MATING SURFACE. 3.05µm [.000120] MIN TIN PLATE ON TAILS. ALL OVER 1.27µm [.000050] MIN NICKEL UNDERPLATE OVER ENTIRE TERMINAL.
BOARDLOCK - TIN PLATED CARBON STEEL.
2. THE CONTACT SURFACES OF THE TERMINALS ARE COATED WITH LUBRICANT.
- 3 ALL DIMENSIONS SHOWN ARE MAXIMUM UNLESS OTHERWISE SPECIFIED.
- 4 TERMINAL 1 LOCATED IN THIS ROW FOR STANDARD ORIENTATION.
- 5 CYLINDRICAL SHAPE OFFERS 180° OF SOLDERING SURFACE.
6. PART WILL WITHSTAND INFRARED AND VAPOR PHASE REFLOW TEMPERATURE FOR 90 SECONDS.
- 7 ACCOMMODATES #4-40 UNC-2A THREAD.



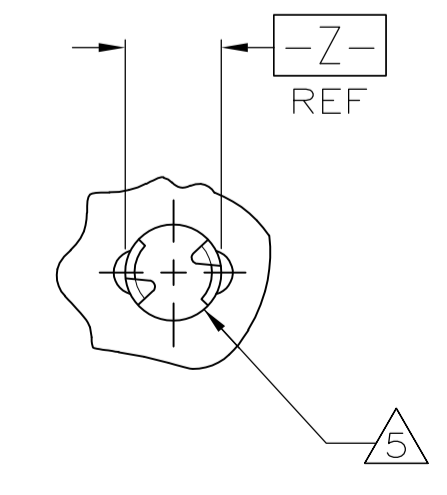
SEE DETAIL C



DETAIL C



SUGGESTED REAR PANEL MOUNTING CUTOUT DIMENSIONS
SCALE 2:1



VIEW B-B
SCALE 4:1

5555520-2
PART NUMBER

THIS DRAWING IS A CONTROLLED DOCUMENT.		DIN B MCMMASTER 26AUG05	Tyco Electronics Corporation Harrisburg, PA 17105-3608	
DIMENSIONS: mm (INCHES)		CHK W MILLHIMES 26AUG05	NAME RCPT ASSY, SHIELDED, 36 POSN, RIGHT ANGLE, WITH THREADED BOARDLOCK, CHAMP®	
TOLERANCES UNLESS OTHERWISE SPECIFIED:		APVD W MILLHIMES 26AUG05	APPLICATION SPEC	
0 PLC ±	1 PLC ±	2 PLC ±	3 PLC ±	4 PLC ANGLES ±
MATERIAL		FINISH	SIZE A1	WEIGHT
CUSTOMER DRAWING		SCALE 4:1	DRAWING NO. 00779	RESTRICTED TO
			5555520	
			1 OF 1	REV B