



Molex Japan Co., Ltd.

INSTRUCTION MANUAL NO.	
IS-0072E	
ISSUED	1993-10-19
REVISED	2005-02-25
REV.	B

OPERATING MANUAL

Series Name: 57325-5000 Mi2 HAND TOOL (SINGLE & DUAL ROW)

Tool Number: 57325-5000

1. Specifications

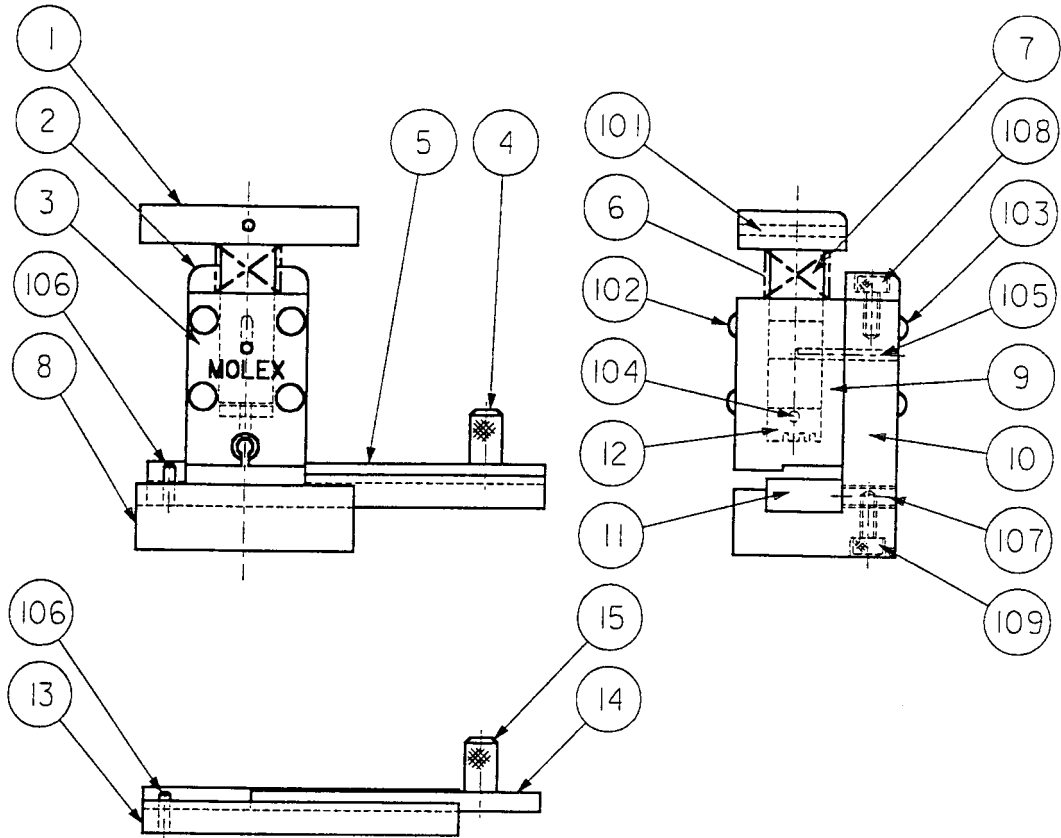
Connector name	Product number	Circuit number	Holder
Mi2 Single row receptacle	52484	2-15	Short type
Mi2 Single row board-in right angle	52693	2-15	
Mi2 Dual row receptacle	52478	10-60	Long type

2. Operation steps

No	Operation steps	Explanation figure
1	Set a "connector (1)" in the "holder (4)", and fix it with the knob after the locator is pushed.	
2	Install the "holder (4)" in the main body, and insert it in the position in which the plunger enters the first dent of the back of a holder as shown in figure.	
3	Insert a "wire (5)" until bumps to the wire stopper from the wire insertion entrance, and confirm that the wire tip touches the wall.	
4	The termination of one wire is carried out if the "handle (6)" is strongly grasped. Send the holder one pitch to the next circuit, and repeat above-mentioned works. * The other side is repeated from clause 1 again for dual row connector.	

"Note" Please do not use this tool except the termination work of the specified connector.

3. Parts List



109		Socket Cap Screw	2	M4x16L
108		Socket cap Screw	2	M3x8L
107		Ball Plunger	1	M4x9L
106		Dowel Pin	2	Phi2x10L
105		Spring Pin	1	Phi3x20L
104		Spring Pin	1	Phi2x8L
103		Pan Head Socket Screw	4	M3x12L
102		Pan Head Socket Screw	4	M3x14L
101		Spring Pin	1	Phi2x20L
15	57325-1006	Knob	1	
14	57325-1005	Locator	1	
13	57325-1004	Holder	1	
12	57325-2001	Punch	1	
11	57290-1011	Locator	1	
10	57290-1010	Frame	1	
9	57325-1003	Housing	1	
8	57325-1002	Base	1	
7	57290-1007	Ram	1	
6	57290-1006	Spring	1	
5	57325-1001	Holder	1	
4	57290-1004	Knob	1	
3	57290-1003	Front Plate	1	
2	57290-1002	Stopper	1	
1	57290-1001	Handle	1	
No.	Parts number	Parts name	Q'ty	Remarks