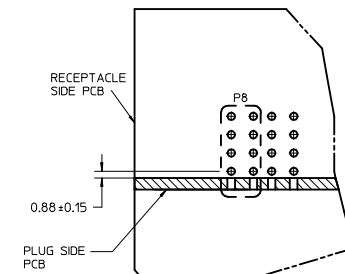
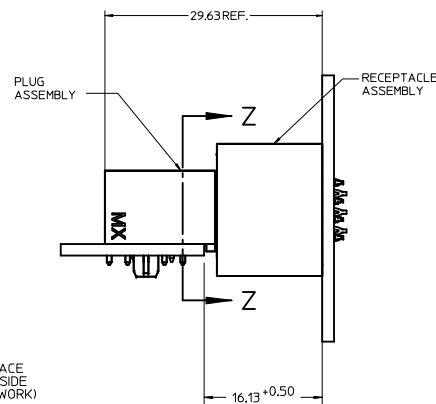
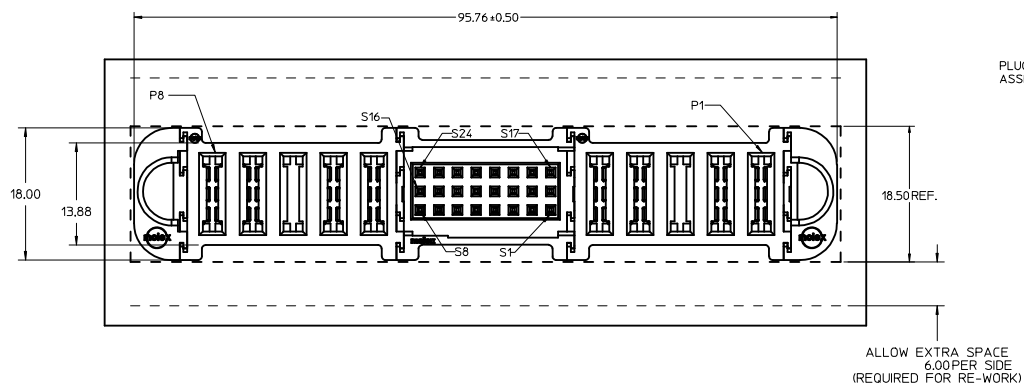
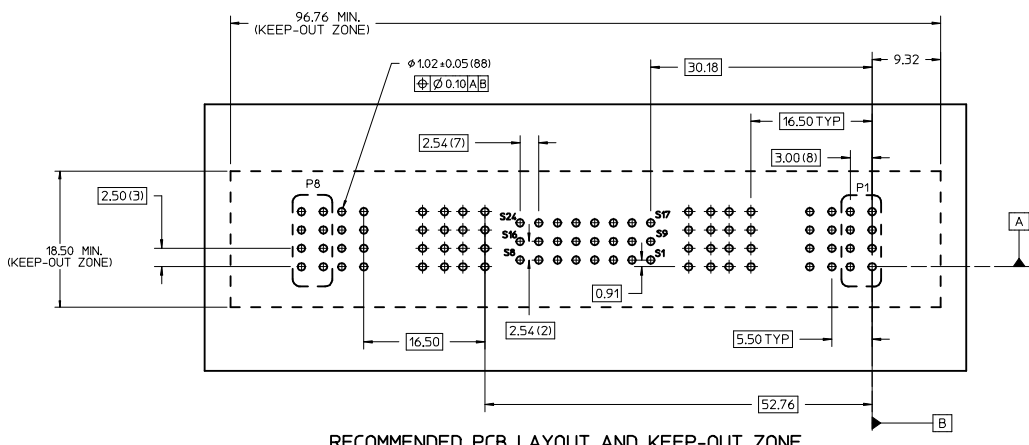


P/N: 46562-1069



PARTIAL SECTION Z-Z
SCALE 3:1



RECOMMENDED PCB LAYOUT AND KEEP-OUT ZONE

NOTES:

1. MATERIAL:
-HOUSINGS: LCP UL94 V-0, COLOR: BLACK.
-TERMINALS: COPPER ALLOY.
-PLATING: 0.000127/0.000050 NICKEL OVERALL WITH 0.00254/0.00100 SELECTIVE TIN ON COMPLIANT PINS.
AND 0.000762/0.000030 SELECTIVE GOLD ON CONTACT AREA.
2. PACKAGING ASSEMBLIES TO BE TRAY PACKED PER PACKAGING SPEC PK-46562-XXX.
3. PRODUCT SPEC: PS-46436-100.
4. APPLICATION SPEC: AS-46436-100.
5. PRODUCT TO MEET ROHS REQUIREMENTS.
6. ASSEMBLY MATES WITH PLUG ASSEMBLY, P/N 46437-1069.

PRELIMINARY IEC NO: LCP2009-2085 DRAWN BY: BKOSTIC CHYK: 2009/03/04 APPR: APATEL DATE: 2009/03/10	QUALITY SYMBOLS DESCRIPTION	GENERAL TOLERANCES (UNLESS SPECIFIED)		DIMENSION STYLE MM ONLY	SCALE 3:1	DESIGN UNITS METRIC	THIRD ANGLE PROJECTION
		4 PLACES ± --- ± --- 3 PLACES ± --- ± .010 2 PLACES ± 0.25 ± .010 1 PLACE ± 0.25 ± --- ANGULAR ±1/2°	DRAWN BY: BKOSTIC DATE: 2008/08/07 CHECKED BY: BKOSTIC DATE: 2008/05/16 APPROVED BY: APATEL	TITLE VERT. RECEPT ASSY 4P-24S-4P TEN60 POWER FAMILY		MATERIAL NO. 46562-1069	
DRAFT WHERE APPLICABLE MUST REMAIN WITHIN DIMENSIONS		SIZE D		THIS DRAWING CONTAINS INFORMATION THAT IS PROPRIETARY TO MOLEX INCORPORATED AND SHOULD NOT BE USED WITHOUT WRITTEN PERMISSION			