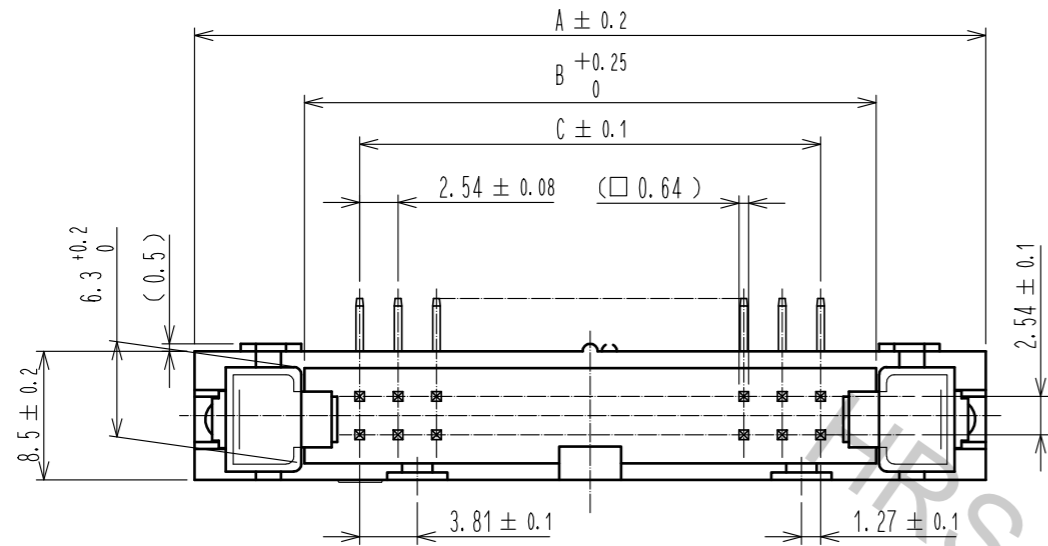
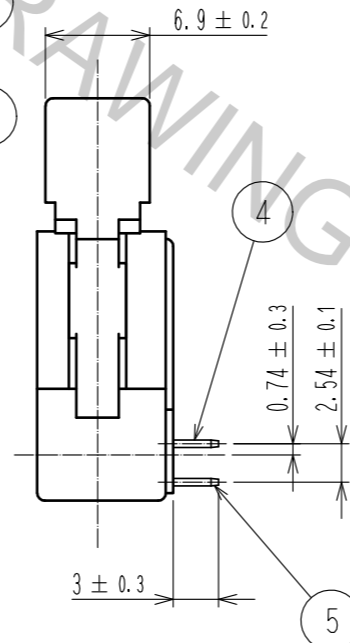
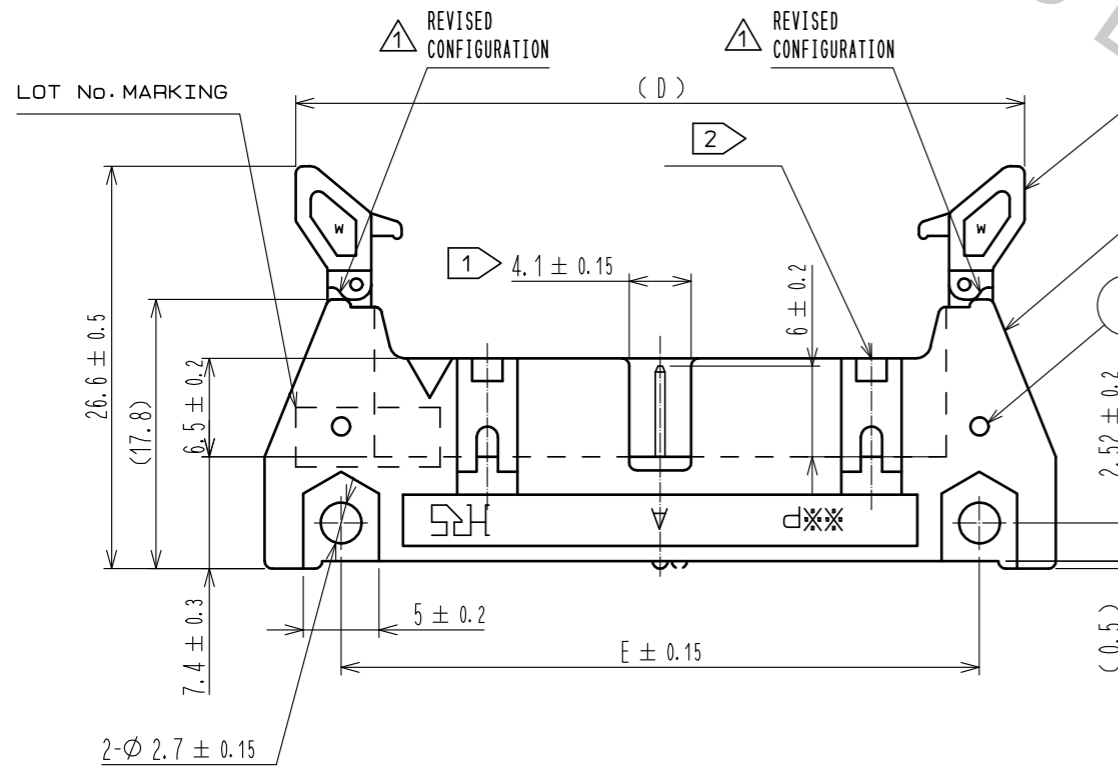
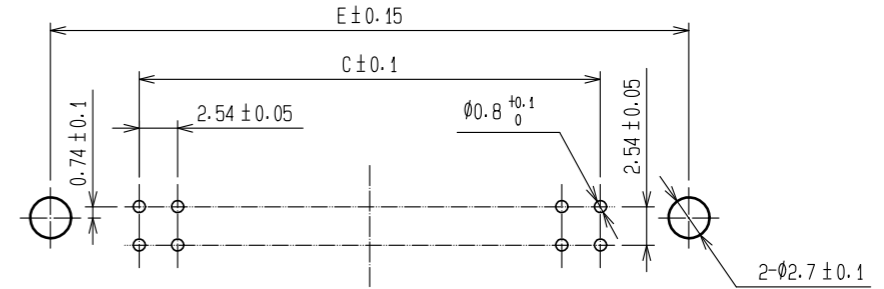


Aug.1.2018 Copyright 2018 HIROSE ELECTRIC CO., LTD. All Rights Reserved.
 In case that the application demands a high level of reliability, such as automotive,
 please contact a company representative for further information.



RECOMENDED PC BOARD HOLE PATTERN
 MATING SIDE



NOTES 1 2 THE NUMBER OF POLARIZING SLOT AND KEY INSTALLED POSITIONS CHANGES ACCORDING TO PRODUCTS. REFER TO THE LISTS AS SHOWN ABOVE.

3 THE SPACER MOVES TO THE RIGHT ACCORDING TO THE NUMBER OF CONTACTS.

4 THE 10, 50, 60 AND 64 CONTACT CONNECTORS CONTAIN TWO TYPES OF POLARIZING SLOTS. USE PRODUCTS, CONFIRMING 1 2

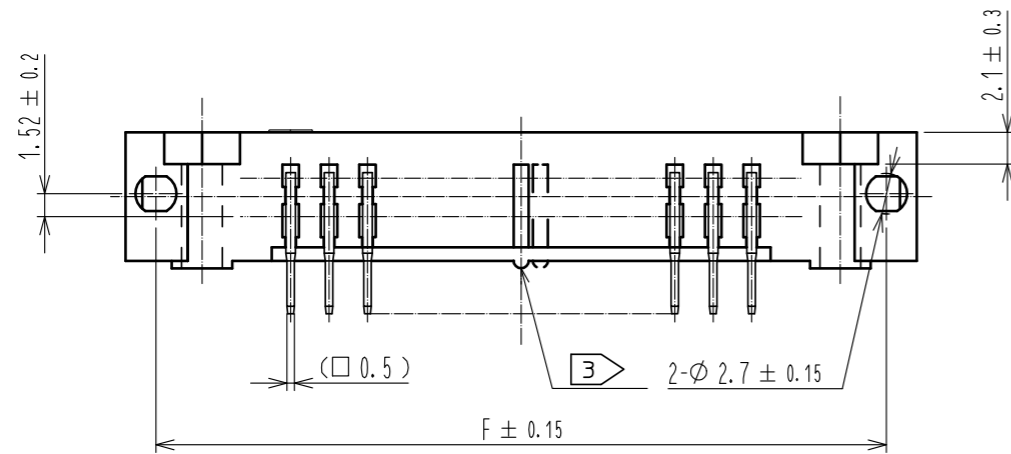
5 THE DIMENSIONS IN PARENTHESES ARE FOR REFERENCE.

6 THE DIMENSIONS IN PARENTHESES SHOWS WHEN THE LOCK OPEN OUT.

7 ** INDICATES THE NUMBER OF CONTACTS.

8 NUMBER OF CONTACTS.

| HRS No. | CODE No. | 8 | A | B | C | D | 6 | E | F | 1 | 2 |
|---------------------|-----------------|----|-------|------|-------|--------------|---|------|------|------------------------------------|------------------------------------|
| HIF3MAW-10PA-2.54DS | CL610-3500-6-00 | 10 | | | | | | | | NONE | ONE ON RIGHT SIDE. |
| HIF3MDW-10PA-2.54DS | CL610-3501-9-00 | 10 | 32.0 | 17.5 | 10.16 | 28.14(51.1) | | 21.8 | 27.9 | NONE | NONE |
| HIF3MAW-14PA-2.54DS | CL610-3502-1-00 | 14 | 37.1 | 22.6 | 15.24 | 33.24(56.2) | | 26.9 | 33.0 | ONE AT CENTER | ONE ON RIGHT SIDE. |
| HIF3MAW-16PA-2.54DS | CL610-3503-4-00 | 16 | 39.6 | 25.1 | 17.78 | 35.74(58.7) | | 29.5 | 35.5 | ONE AT CENTER | ONE ON RIGHT SIDE. |
| HIF3MAW-20PA-2.54DS | CL610-3504-7-00 | 20 | 44.7 | 30.2 | 22.86 | 40.84(63.8) | | 34.5 | 40.6 | ONE AT CENTER | ONE ON RIGHT SIDE. |
| HIF3MAW-26PA-2.54DS | CL610-3505-0-00 | 26 | 52.3 | 37.8 | 30.48 | 48.44(71.4) | | 42.2 | 48.3 | ONE AT CENTER | ONE ON RIGHT SIDE. |
| HIF3MAW-30PA-2.54DS | CL610-3506-2-00 | 30 | 57.4 | 42.9 | 35.56 | 53.54(76.5) | | 47.2 | 53.3 | ONE AT CENTER | ONE ON RIGHT SIDE. |
| HIF3MAW-34PA-2.54DS | CL610-3507-5-00 | 34 | 62.5 | 48.0 | 40.64 | 58.64(81.6) | | 52.3 | 58.4 | ONE AT CENTER | ONE ON RIGHT SIDE. |
| HIF3MAW-40PA-2.54DS | CL610-3508-8-00 | 40 | 70.1 | 55.6 | 48.26 | 66.24(89.2) | | 59.9 | 66.0 | ONE AT CENTER | ONE ON RIGHT SIDE. |
| HIF3MAW-50PA-2.54DS | CL610-3509-0-00 | 50 | 82.8 | 68.3 | 60.96 | 78.94(101.9) | | 72.6 | 78.7 | ONE ON RIGHT AND LEFT SIDES, RESP. | ONE ON RIGHT AND LEFT SIDES, RESP. |
| HIF3MBW-50PA-2.54DS | CL610-3510-0-00 | 50 | | | | | | | | ONE AT CENTER | ONE AT CENTER |
| HIF3MAW-60PA-2.54DS | CL610-3511-2-00 | 60 | 95.5 | 81.0 | 73.66 | 91.64(114.6) | | 85.3 | 91.4 | ONE ON RIGHT AND LEFT SIDES, RESP. | ONE ON RIGHT AND LEFT SIDES, RESP. |
| HIF3MBW-60PA-2.54DS | CL610-3512-5-00 | 60 | | | | | | | | ONE AT CENTER | ONE AT CENTER |
| HIF3MAW-64PA-2.54DS | CL610-3513-8-00 | 64 | 100.6 | 86.1 | 78.74 | 96.74(119.7) | | 90.4 | 96.5 | ONE ON RIGHT AND LEFT SIDES, RESP. | ONE ON RIGHT AND LEFT SIDES, RESP. |
| HIF3MBW-64PA-2.54DS | CL610-3514-0-00 | 64 | | | | | | | | ONE AT CENTER | ONE AT CENTER |



| NO. | MATERIAL | FINISH . REMARKS | NO. | MATERIAL | FINISH . REMARKS |
|------|-----------|------------------|------|----------|------------------------------|
| 3 | STAINLESS | | 4, 5 | BRASS | CONTACT AREA:GOLDO. 15# μm |
| 1, 2 | PBT | BLACK UL94V-0 | | | DIP AREA:TIN-PLATING 2# μm |
| | | | | | UNDER PLATING:NICKEL 2.5# μm |

| UNITS | SCALE | COUNT | DESCRIPTION OF REVISIONS | DESIGNED | CHECKED | DATE |
|-------|-------|-------|--------------------------|-------------|---------------|------------|
| mm | FREE | 2 | DIS-F-00000161 | TY. EDAGAWA | HT. YAMAGUCHI | 15. 03. 12 |

| APPROVED | CHECKED | DESIGNED | DRAWN | DRAWING NO. | PART NO. | CODE NO. |
|-----------|-----------|-------------|-------------|----------------|--------------------|----------|
| HS. OKAWA | HS. OKAWA | TY. EDAGAWA | TY. EDAGAWA | EDC3-361542-01 | HIF3M*W-*PA-2.54DS | CL610 |