

IGBT SIP Module (Short Circuit Rated Ultrafast IGBT)



IMS-2

| PRIMARY CHARACTERISTICS | |
|---|----------------------|
| OUTPUT CURRENT IN A TYPICAL 20 kHz MOTOR DRIVE | |
| V_{CES} | 600 V |
| I_{RMS} per phase (1.94 kW total) with $T_C = 90\text{ }^\circ\text{C}$ | 6.7 A_{RMS} |
| T_J | 125 $^\circ\text{C}$ |
| Supply voltage | 360 V_{DC} |
| Power factor | 0.8 |
| Modulation depth (see fig. 1) | 115 % |
| $V_{CE(on)}$ (typical) at $I_C = 6.0\text{ A}$, 25 $^\circ\text{C}$ | 1.72 V |
| Speed | 8 kHz to 30 kHz |
| Package | SIP |
| Circuit configuration | Three phase inverter |

FEATURES

- Short circuit rated ultrafast: optimized for high speed (see fig. 1 for current vs. frequency curve), and short circuit rated to 10 μs at 125 $^\circ\text{C}$, $V_{GE} = 15\text{ V}$
- Fully isolated printed circuit board mount package
- Switching-loss rating includes all “tail” losses
- HEXFRED[®] soft ultrafast diodes
- UL approved file E78996
- Designed and qualified for industrial level
- Material categorization: for definitions of compliance please see www.vishay.com/doc?99912


**RoHS
COMPLIANT**

DESCRIPTION

The IGBT technology is the key to Vishay’s Semiconductors advanced line of IMS (Insulated Metal Substrate) power modules. These modules are more efficient than comparable bipolar transistor modules, while at the same time having the simpler gate-drive requirements of the familiar power MOSFET. This superior technology has now been coupled to a state of the art materials system that maximizes power throughput with low thermal resistance. This package is highly suited to motor drive applications and where space is at a premium.

| ABSOLUTE MAXIMUM RATINGS | | | | |
|--|----------------|--|-------------------------|---------------------|
| PARAMETER | SYMBOL | TEST CONDITIONS | MAX. | UNITS |
| Collector to emitter voltage | V_{CES} | | 600 | V |
| Continuous collector current, each IGBT | I_C | $T_C = 25\text{ }^\circ\text{C}$ | 11 | A |
| | | $T_C = 100\text{ }^\circ\text{C}$ | 6.0 | |
| Pulsed collector current | I_{CM} | Repetitive rating; $V_{GE} = 20\text{ V}$, pulse width limited by maximum junction temperature See fig. 20 | 22 | A |
| Clamped inductive load current | I_{LM} | $V_{CC} = 80\%$ (V_{CES}), $V_{GE} = 20\text{ V}$, $L = 10\text{ }\mu\text{H}$, $R_G = 22\text{ }\Omega$ See fig. 19 | 22 | A |
| Diode continuous forward current | I_F | $T_C = 100\text{ }^\circ\text{C}$ | 6.1 | A |
| Diode maximum forward current | I_{FM} | | 22 | A |
| Short circuit withstand time | t_{SC} | | 10 | μs |
| Gate to emitter voltage | V_{GE} | | ± 20 | V |
| Isolation voltage | V_{ISOL} | Any terminal to case, $t = 1\text{ minute}$ | 2500 | V_{RMS} |
| Maximum power dissipation, each IGBT | P_D | $T_C = 25\text{ }^\circ\text{C}$ | 36 | W |
| | | $T_C = 100\text{ }^\circ\text{C}$ | 14 | |
| Operating junction and storage temperature range | T_J, T_{Stg} | | -40 to +150 | $^\circ\text{C}$ |
| Soldering temperature | | For 10 s, (0.063" (1.6 mm) from case) | 300 | |
| Mounting torque | | 6-32 or M3 screw | 5 to 7 (0.55 to 0.8) | lbf · in (N · m) |



| THERMAL AND MECHANICAL SPECIFICATIONS | | | | |
|---|---------------------|------|------|-------|
| PARAMETER | SYMBOL | TYP. | MAX. | UNITS |
| Junction-to-case, each IGBT, one IGBT in conduction | R_{thJC} (IGBT) | - | 3.5 | °C/W |
| Junction-to-case, each diode, one diode in conduction | R_{thJC} (DIODE) | - | 5.5 | |
| Case to sink, flat, greased surface | R_{thCS} (MODULE) | 0.10 | - | |
| Weight of module | | 20 | - | g |
| | | 0.7 | - | oz. |

| ELECTRICAL SPECIFICATIONS ($T_J = 25\text{ }^\circ\text{C}$ unless otherwise specified) | | | | | | | |
|--|---------------------------------|---|---|------|-----------|---------------|---|
| PARAMETER | SYMBOL | TEST CONDITIONS | MIN. | TYP. | MAX. | UNITS | |
| Collector to emitter breakdown voltage | $V_{(BR)CES}$ ⁽¹⁾ | $V_{GE} = 0\text{ V}$, $I_C = 250\text{ }\mu\text{A}$ | 600 | - | - | V | |
| Temperature coeff. of breakdown voltage | $\Delta V_{(BR)CES}/\Delta T_J$ | $V_{GE} = 0\text{ V}$, $I_C = 1.0\text{ mA}$ | - | 0.45 | - | V/°C | |
| Collector to emitter saturation voltage | $V_{CE(on)}$ | $I_C = 6.0\text{ A}$ | $V_{GE} = 15\text{ V}$ See fig. 2, 5 | - | 1.72 | 2.10 | V |
| | | $I_C = 11\text{ A}$ | | - | 2.00 | - | |
| | | $I_C = 6.0\text{ A}$, $T_J = 150\text{ }^\circ\text{C}$ | | - | 1.60 | - | |
| Gate threshold voltage | $V_{GE(th)}$ | $V_{CE} = V_{GE}$, $I_C = 250\text{ }\mu\text{A}$ | 3.0 | - | 6.0 | mV/°C | |
| Temperature coeff. of threshold voltage | $\Delta V_{GE(th)}/\Delta T_J$ | | - | -13 | - | | |
| Forward transconductance | g_{fe} ⁽²⁾ | $V_{CE} = 100\text{ V}$, $I_C = 12\text{ A}$ | 3.0 | 6.0 | - | S | |
| Zero gate voltage collector current | I_{CES} | $V_{GE} = 0\text{ V}$, $V_{CE} = 600\text{ V}$ | - | - | 250 | μA | |
| | | $V_{GE} = 0\text{ V}$, $V_{CE} = 600\text{ V}$, $T_J = 150\text{ }^\circ\text{C}$ | - | - | 2500 | | |
| Diode forward voltage drop | V_{FM} | $I_C = 12\text{ A}$ | See fig. 13 | - | 1.4 | 1.7 | V |
| | | $I_C = 12\text{ A}$, $T_J = 150\text{ }^\circ\text{C}$ | | - | 1.3 | 1.6 | |
| Gate to emitter leakage current | I_{GES} | $V_{GE} = \pm 20\text{ V}$ | - | - | ± 100 | nA | |

Notes

- (1) Pulse width $\leq 80\text{ }\mu\text{s}$, duty factor $\leq 0.1\%$
- (2) Pulse width $5.0\text{ }\mu\text{s}$; single shot

| SWITCHING CHARACTERISTICS ($T_J = 25\text{ }^\circ\text{C}$ unless otherwise specified) | | | | | | | |
|--|------------------|--|-------------|------|------|---------------|------------------|
| PARAMETER | SYMBOL | TEST CONDITIONS | MIN. | TYP. | MAX. | UNITS | |
| Total gate charge (turn-on) | Q_g | $I_C = 6\text{ A}$ | - | 61 | 91 | nC | |
| Gate to emitter charge (turn-on) | Q_{ge} | $V_{CC} = 400\text{ V}$ | - | 7.4 | 11 | | |
| Gate to collector charge (turn-on) | Q_{gc} | See fig. 8 | - | 27 | 40 | | |
| Turn-on delay time | $t_{d(on)}$ | $T_J = 25\text{ }^\circ\text{C}$ $I_C = 6.0\text{ A}$, $V_{CC} = 480\text{ V}$ $V_{GE} = 15\text{ V}$, $R_G = 23\text{ }\Omega$ Energy losses include "tail" and diode reverse recovery See fig. 9, 10, 18 | - | 55 | - | ns | |
| Rise time | t_r | | - | 24 | - | | |
| Turn-off delay time | $t_{d(off)}$ | | - | 107 | 160 | | |
| Fall time | t_f | | - | 92 | 140 | | |
| Turn-on switching loss | E_{on} | | - | 0.28 | - | | |
| Turn-off switching loss | E_{off} | - | 0.10 | - | mJ | | |
| Total switching loss | E_{ts} | - | 0.39 | 0.50 | | | |
| Short circuit withstand time | t_{SC} | $V_{CC} = 360\text{ V}$, $T_J = 125\text{ }^\circ\text{C}$ $V_{GE} = 15\text{ V}$, $R_G = 23\text{ }\Omega$, $V_{CPK} < 500\text{ V}$ | 10 | - | - | μs | |
| Turn-on delay time | $t_{d(on)}$ | $T_J = 150\text{ }^\circ\text{C}$ $I_C = 6.0\text{ A}$, $V_{CC} = 480\text{ V}$ $V_{GE} = 15\text{ V}$, $R_G = 23\text{ }\Omega$ Energy losses include "tail" and diode reverse recovery See fig. 10, 11, 18 | - | 54 | - | ns | |
| Rise time | t_r | | - | 24 | - | | |
| Turn-off delay time | $t_{d(off)}$ | | - | 161 | - | | |
| Fall time | t_f | | - | 244 | - | | |
| Total switching loss | E_{ts} | | - | 0.60 | - | | mJ |
| Input capacitance | C_{ies} | $V_{GE} = 0\text{ V}$ $V_{CC} = 30\text{ V}$ $f = 1.0\text{ MHz}$ | See fig. 7 | - | 740 | - | pF |
| Output capacitance | C_{oes} | | | - | 100 | - | |
| Reverse transfer capacitance | C_{res} | | | - | 9.3 | - | |
| Diode reverse recovery time | t_{rr} | $T_J = 25\text{ }^\circ\text{C}$ | See fig. 14 | - | 42 | 60 | ns |
| | | $T_J = 125\text{ }^\circ\text{C}$ | | - | 80 | 120 | |
| Diode peak reverse recovery current | I_{rr} | $T_J = 25\text{ }^\circ\text{C}$ | See fig. 15 | - | 3.5 | 6.0 | A |
| | | $T_J = 125\text{ }^\circ\text{C}$ | | - | 5.6 | 10 | |
| Diode reverse recovery charge | Q_{rr} | $T_J = 25\text{ }^\circ\text{C}$ | See fig. 16 | - | 80 | 180 | nC |
| | | $T_J = 125\text{ }^\circ\text{C}$ | | - | 220 | 600 | |
| Diode peak rate of fall of recovery during t_p | $dl_{(rec)M}/dt$ | $T_J = 25\text{ }^\circ\text{C}$ | See fig. 17 | - | 180 | - | A/ μs |
| | | $T_J = 125\text{ }^\circ\text{C}$ | | - | 120 | - | |

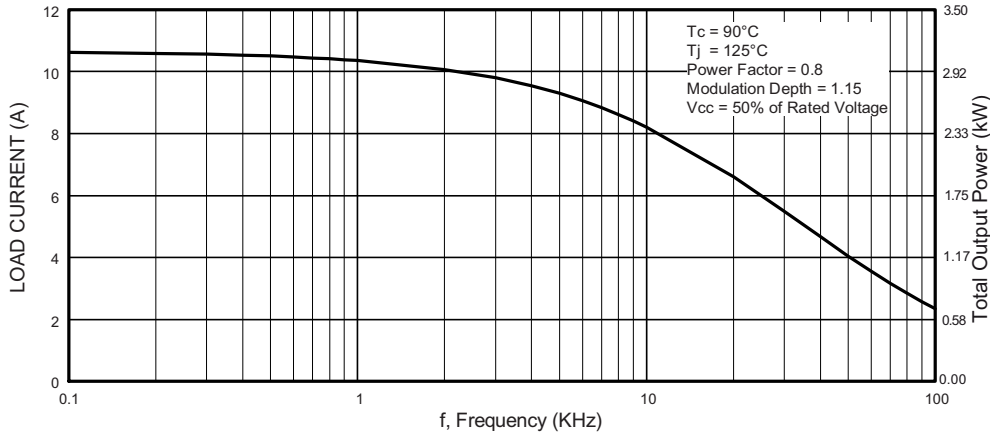


Fig. 1 - Typical Load Current vs. Frequency
(Load Current = I_{RMS} of Fundamental)

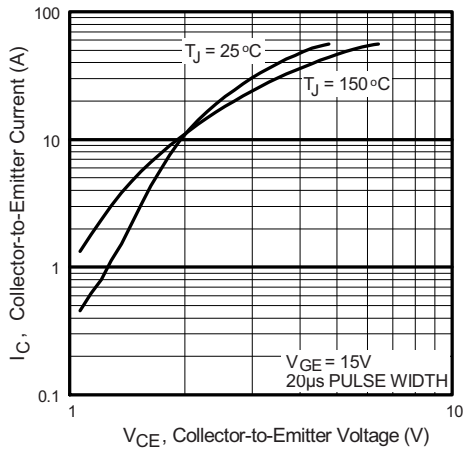


Fig. 2 - Typical Output Characteristics

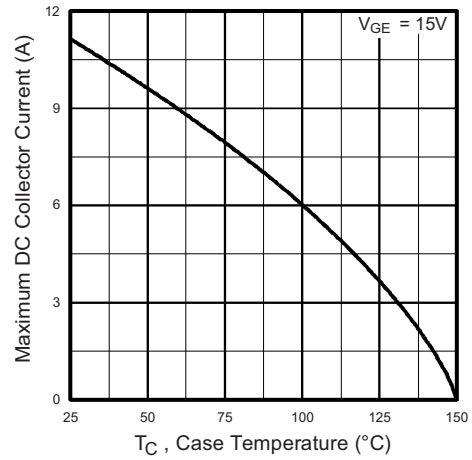


Fig. 4 - Maximum Collector Current vs. Case Temperature

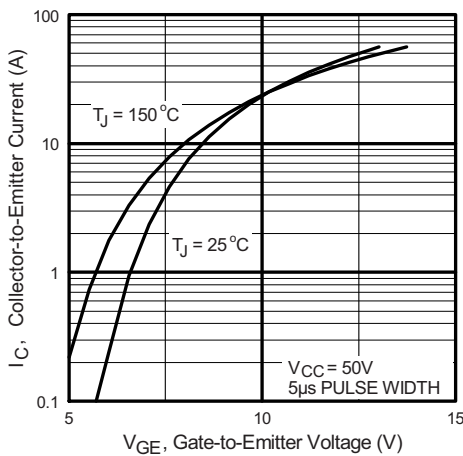


Fig. 3 - Typical Transfer Characteristics

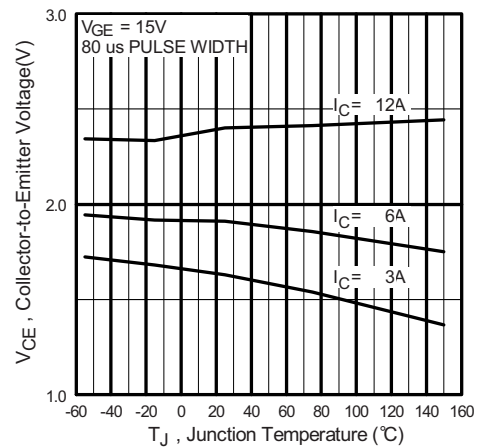


Fig. 5 - Typical Collector to Emitter Voltage vs. Junction Temperature

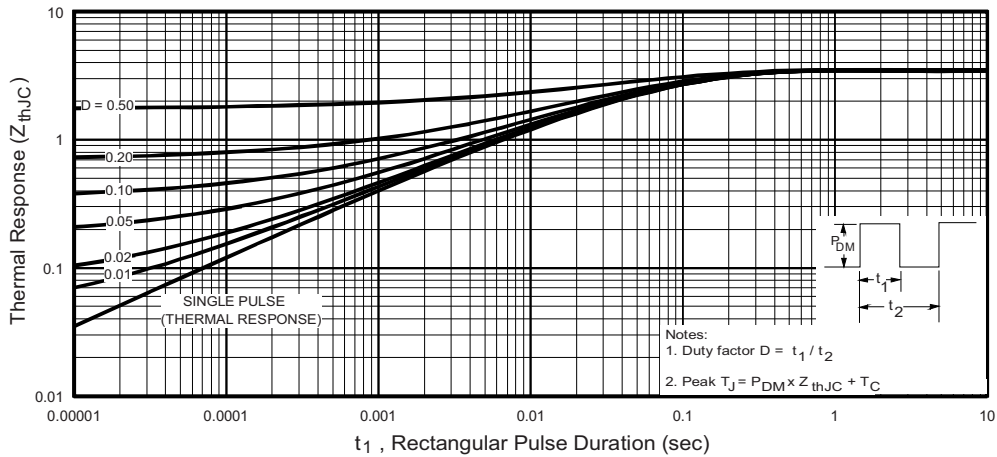


Fig. 6 - Maximum Effective Transient Thermal Impedance, Junction to Case

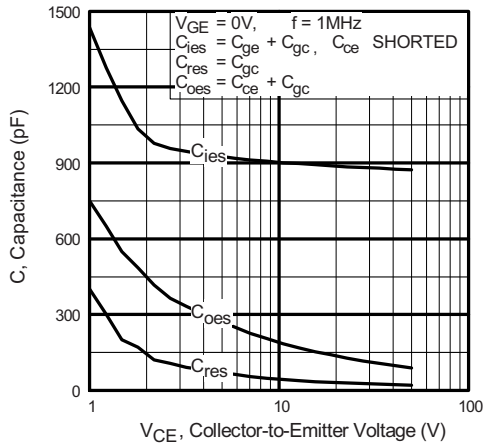


Fig. 7 - Typical Capacitance vs. Collector to Emitter Voltage

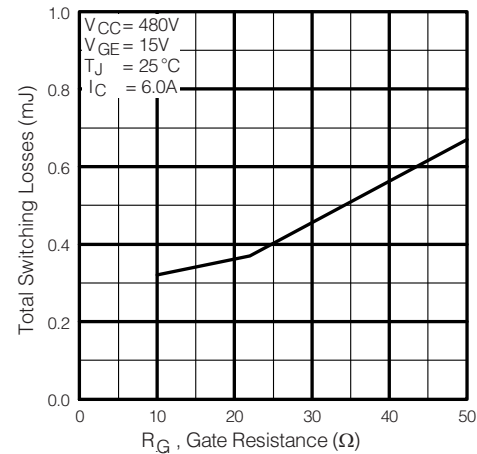


Fig. 9 - Typical Switching Losses vs. Gate Resistance

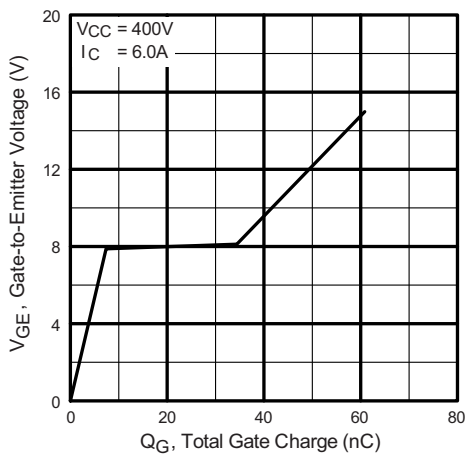


Fig. 8 - Typical Gate Charge vs. Gate to Emitter Voltage

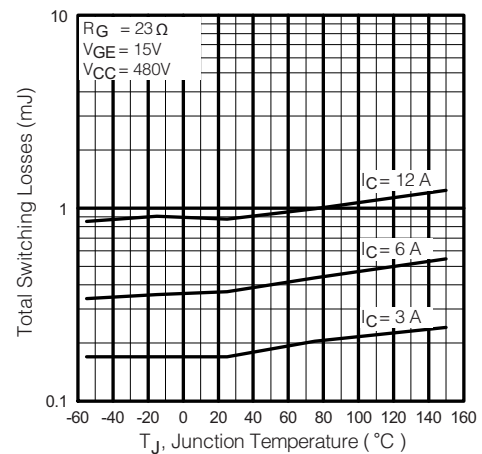


Fig. 10 - Typical Switching Losses vs. Junction Temperature

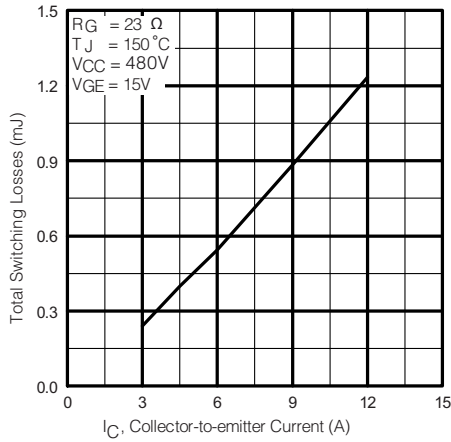


Fig. 11 - Typical Switching Losses vs. Collector to Emitter Current

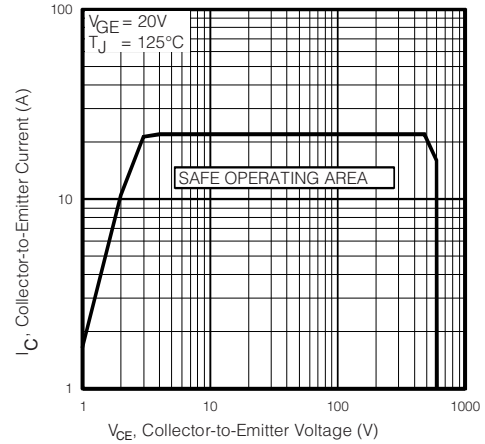


Fig. 12 - Turn-Off SOA

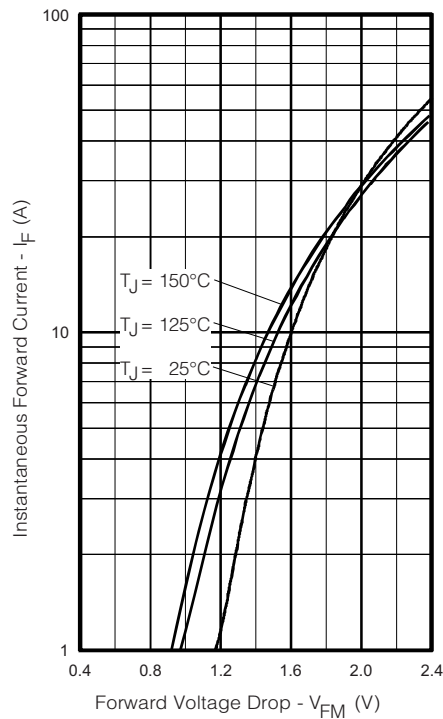


Fig. 13 - Maximum Forward Voltage Drop vs. Instantaneous Forward Current

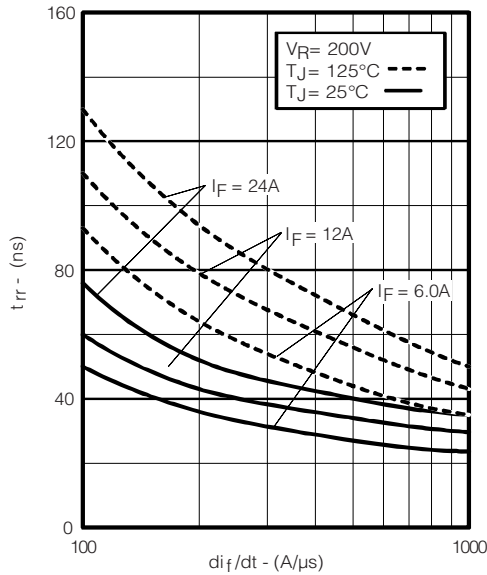


Fig. 14 - Typical Reverse Recovery Time vs. dI_F/dt

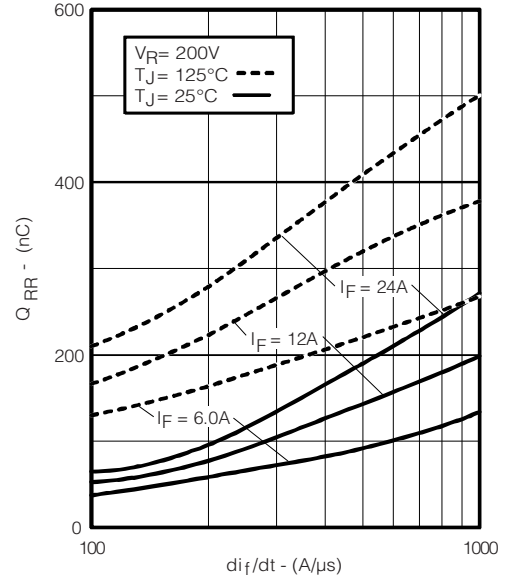


Fig. 16 - Typical Stored Charge vs. dI_F/dt

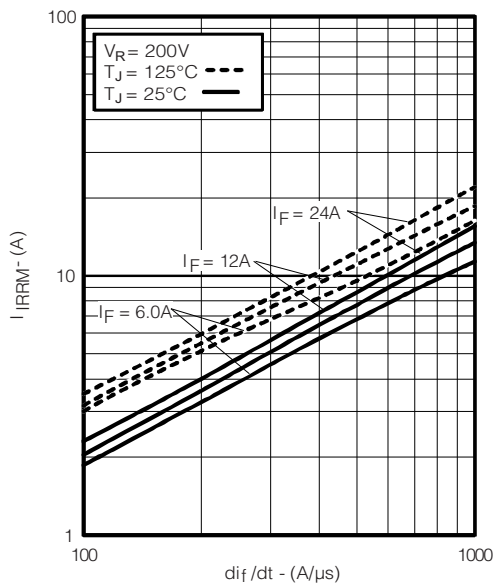


Fig. 15 - Typical Recovery Current vs. dI_F/dt

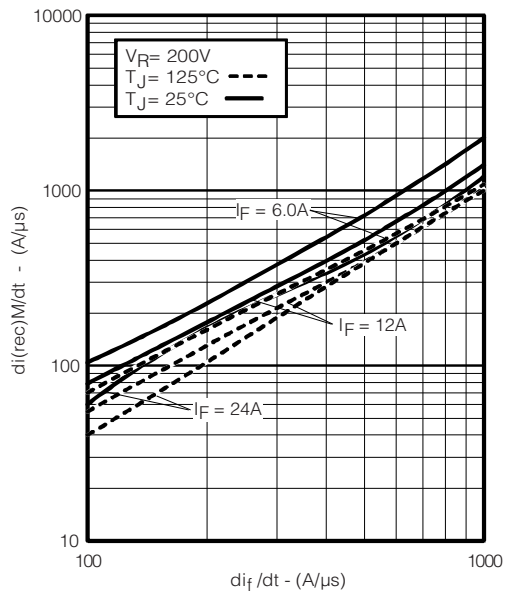


Fig. 17 - Typical $dI_{(rec)M}/dt$ vs dI_F/dt

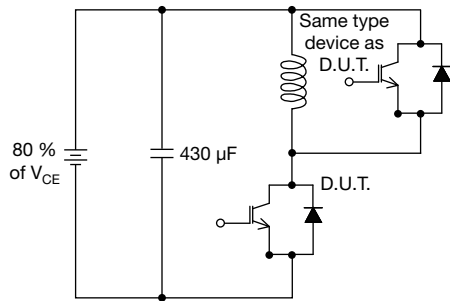


Fig. 18a - Test Circuit for Measurements of I_{LM} , E_{on} , $E_{off(diode)}$, t_{tr} , Q_{rr} , I_{rr} , $t_{d(on)}$, t_r , $t_{d(off)}$, t_f

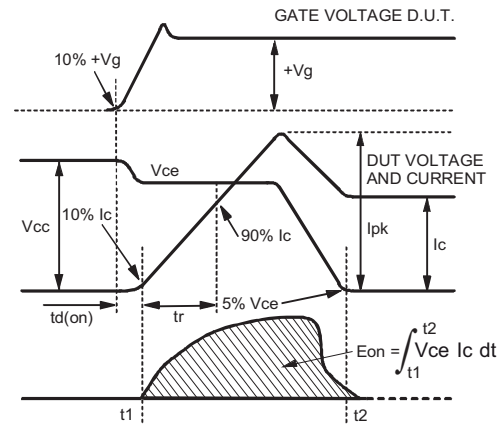


Fig. 18c - Test Waveforms for Circuit of Fig. 18a, Defining E_{on} , $t_{d(on)}$, t_r

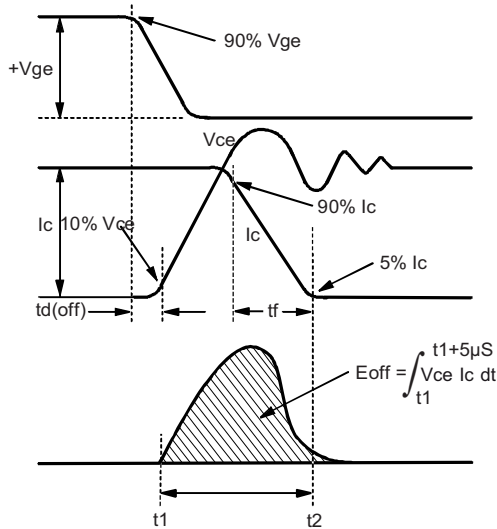


Fig. 18b - Test Waveforms for Circuit of Fig. 18a, Defining E_{off} , $t_{d(off)}$, t_f

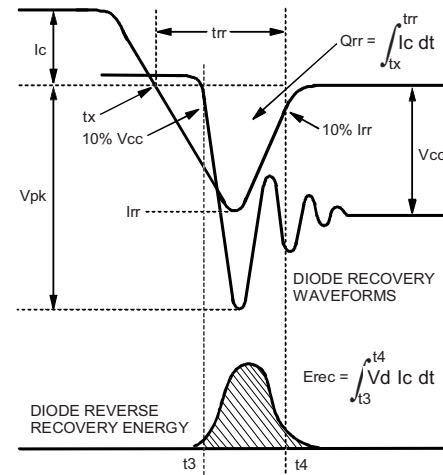


Fig. 18d - Test Waveforms for Circuit of Fig. 18a, Defining E_{rec} , t_{rr} , Q_{rr} , I_{rr}

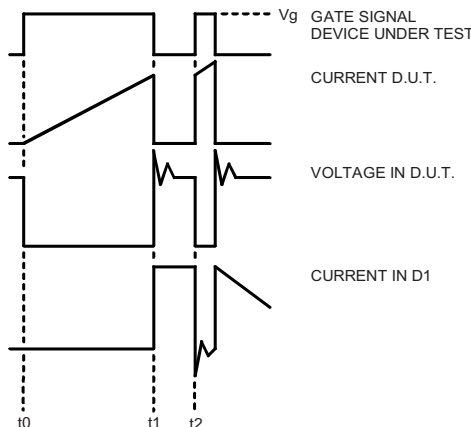


Fig. 18e - Macro Waveforms for Figure 18a's Test Circuit

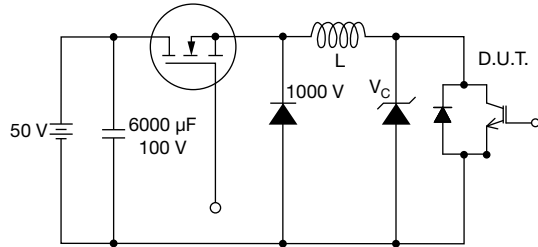


Fig. 19 - Clamped Inductive Load Test Circuit

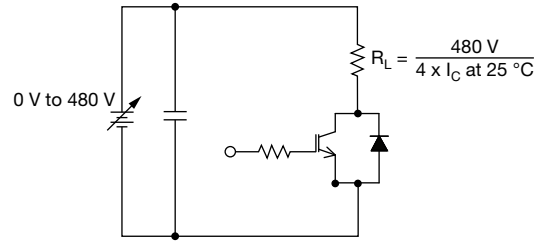
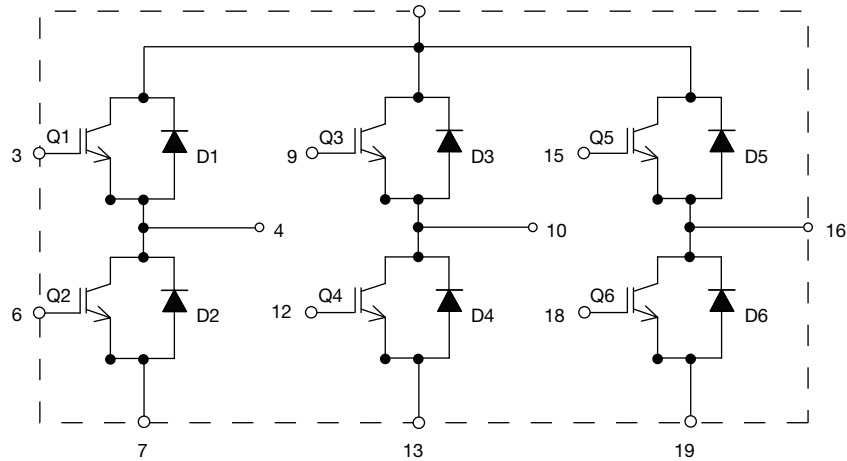


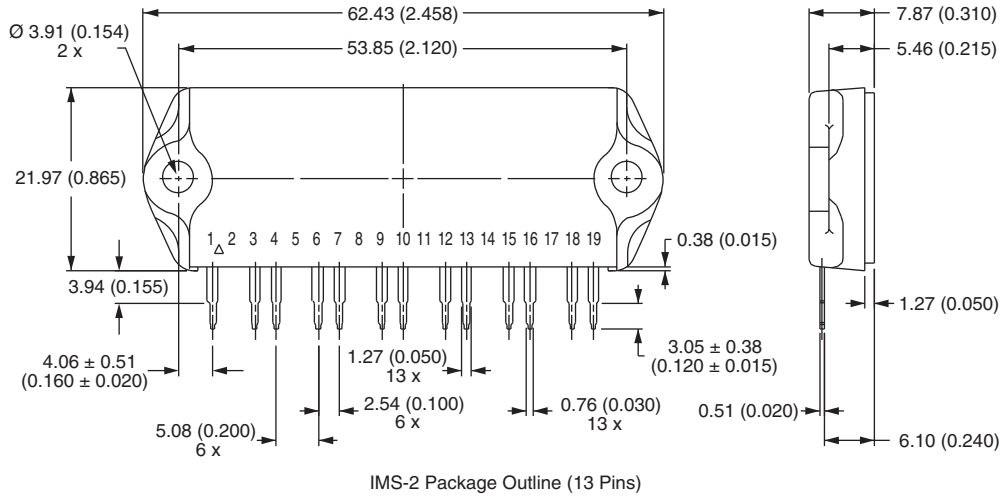
Fig. 20 - Pulsed Collector Current Test Circuit

CIRCUIT CONFIGURATION

LINKS TO RELATED DOCUMENTS

| | |
|------------|--|
| Dimensions | www.vishay.com/doc?95066 |
|------------|--|

IMS-2 (SIP)

DIMENSIONS in millimeters (inches)



Notes

- (1) Tolerance unless otherwise specified ± 0.254 mm (0.010")
- (2) Controlling dimension: inch
- (3) Terminal numbers are shown for reference only



Disclaimer

ALL PRODUCT, PRODUCT SPECIFICATIONS AND DATA ARE SUBJECT TO CHANGE WITHOUT NOTICE TO IMPROVE RELIABILITY, FUNCTION OR DESIGN OR OTHERWISE.

Vishay Intertechnology, Inc., its affiliates, agents, and employees, and all persons acting on its or their behalf (collectively, "Vishay"), disclaim any and all liability for any errors, inaccuracies or incompleteness contained in any datasheet or in any other disclosure relating to any product.

Vishay makes no warranty, representation or guarantee regarding the suitability of the products for any particular purpose or the continuing production of any product. To the maximum extent permitted by applicable law, Vishay disclaims (i) any and all liability arising out of the application or use of any product, (ii) any and all liability, including without limitation special, consequential or incidental damages, and (iii) any and all implied warranties, including warranties of fitness for particular purpose, non-infringement and merchantability.

Statements regarding the suitability of products for certain types of applications are based on Vishay's knowledge of typical requirements that are often placed on Vishay products in generic applications. Such statements are not binding statements about the suitability of products for a particular application. It is the customer's responsibility to validate that a particular product with the properties described in the product specification is suitable for use in a particular application. Parameters provided in datasheets and / or specifications may vary in different applications and performance may vary over time. All operating parameters, including typical parameters, must be validated for each customer application by the customer's technical experts. Product specifications do not expand or otherwise modify Vishay's terms and conditions of purchase, including but not limited to the warranty expressed therein.

Except as expressly indicated in writing, Vishay products are not designed for use in medical, life-saving, or life-sustaining applications or for any other application in which the failure of the Vishay product could result in personal injury or death. Customers using or selling Vishay products not expressly indicated for use in such applications do so at their own risk. Please contact authorized Vishay personnel to obtain written terms and conditions regarding products designed for such applications.

No license, express or implied, by estoppel or otherwise, to any intellectual property rights is granted by this document or by any conduct of Vishay. Product names and markings noted herein may be trademarks of their respective owners.