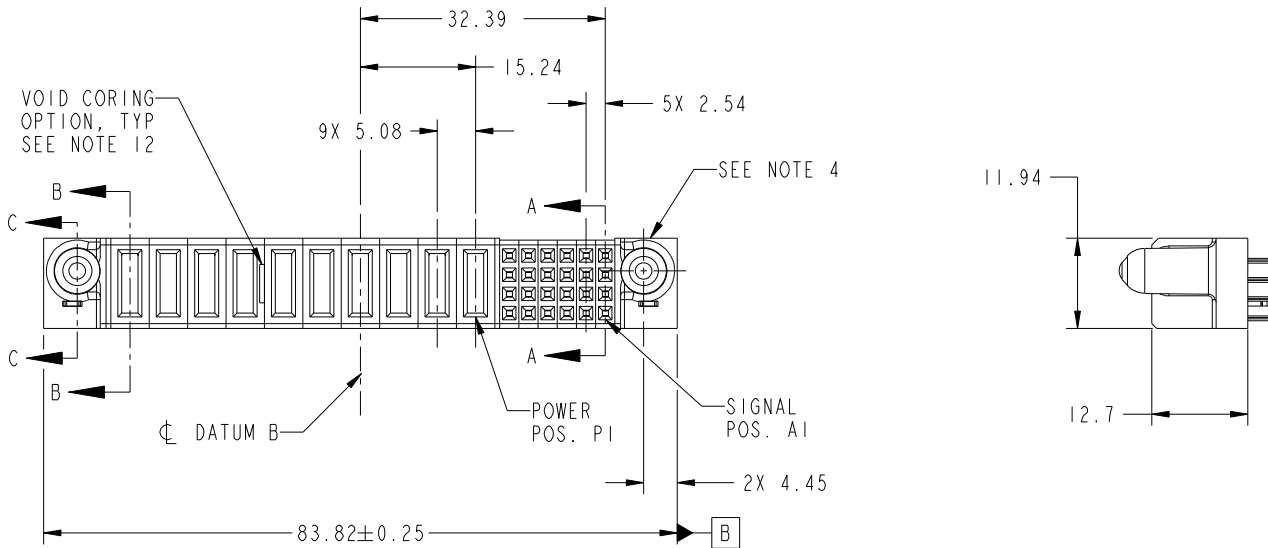


Tous droits strictement réservés. Reproduction ou communication a des tiers interdite sous quelque forme que ce soit sans autorisation écrite du propriétaire. Propriété de c.FCI. Droits de reproduction FCI.

All rights strictly reserved. Reproduction or issue to third parties in any form whatever is not permitted without written authority from the proprietor. Property of FCI. Copyright FCI.



PRODUCT NO. 51940-263-- NOTE: 3	ROWS DCBA	POWER										SIGNAL						E1					
		E2	P10	P9	P8	P7	P6	P5	P4	P3	P2	P1	6	5	4	3	2		1				
			PA	X	PA	X	PA	X	PA	X	PA	X	E	E	E	E	E	E	E	E	E	E	



CODE	DIM "M" MATING LENGTH	CONTACT TYPE
E	[N/A]	SIGNAL
PA	[1.07]	POWER
HA	[N/A]	HOLD-DOWN
X	OMITTED	

mat'l code				SEE NOTES		tolerances unless otherwise specified		CUSTOMER		 www.fciconnect.com	
lir	ecn no.	dr	date	linear	0.X ±0.5	COPY		projection		title	
A	DG08-0240	W D	09/03/08	angles	0.XX ±0.25	MM				24S + 10P VERTICAL SOLDER RECEPT	
					0.XXX ±0.1	dr		product family		code	
					0° ±2°	enr		PwrBlade		213	
						enr		size		sheet	
						chr		A		1 of 4	
						chr		51940-263			
						appd		scale			
						Joseph Hsia		1:1			
sheet index	revision sheet	A	A	A	A						
		1	2	3	4						

A

B

A

B

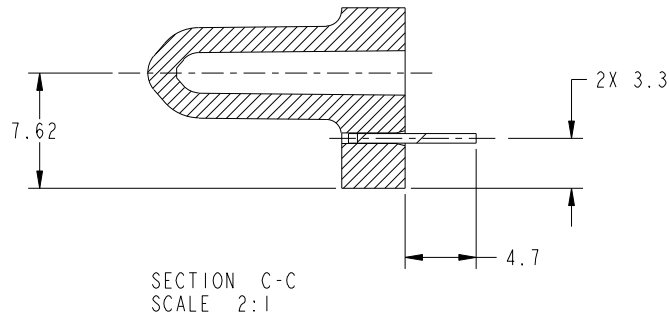
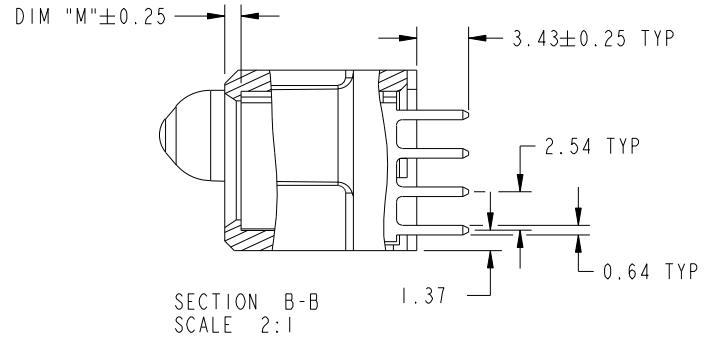
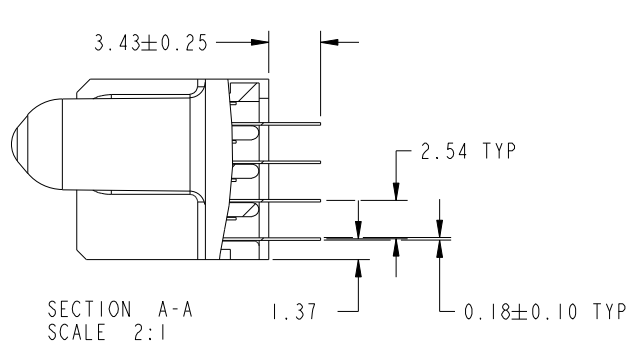
Tous droits strictement reserves. Reproduction ou communication a des tiers interdite sous quelque forme que ce soit sans autorisation ecrite du proprietaire. Propriete de c FCI. Droits de reproduction FCI.

All rights strictly reserved. Reproduction or issue to third parties in any form whatever is not permitted without written authority from the proprietor. Property of FCI. Copyright FCI.



PRODUCT NUMBER

51940-263__
NOTE: 3



mat'l code				tolerances unless otherwise specified		CUSTOMER		 www.fciconnect.com	
lir	ecn no.	dr	date	linear	0.X ±0.5	COPY		title	
A					0.XX ±0.25	projection		24S + 10P	
					0.XXX ±0.1			VERTICAL SOLDER RECEPT	
				angles	0° ±2°			product family	
				dr	Warren Du 08/19/08	MM		PwrBlade	
				enr	Jerome Chen 08/19/08			code	
				chr	Gary Hsieh 08/19/08	scale		size	
				appd	Joseph Hsia 08/19/08	1:1		dwg no	
sheet index		revision sheet						A 51940-263	
								213	
								sheet 2 of 4	

cage code 28506

Pro/E

PDM: Rev: A

STATUS: Released

Printed: Dec 20, 2010

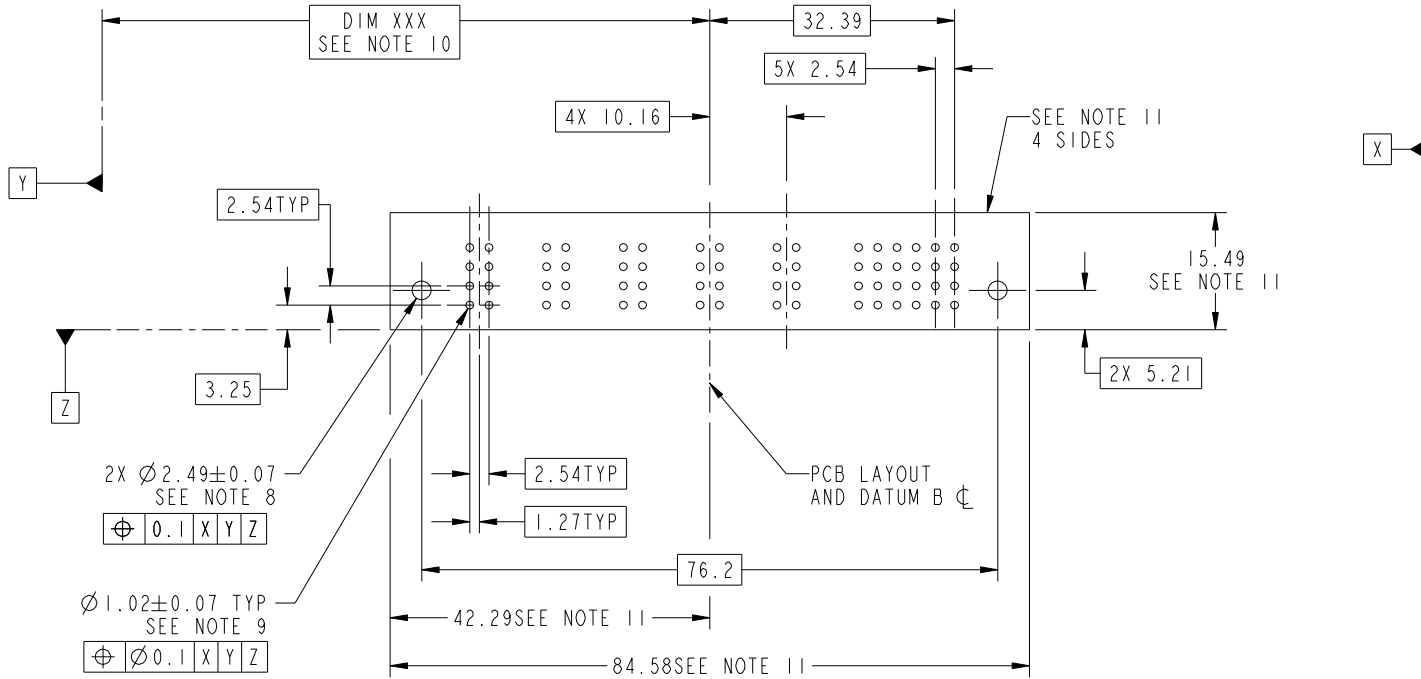
Tous droits strictement réservés. Reproduction ou communication a des tiers interdite sous quelque forme que ce soit sans autorisation écrite du propriétaire. Propriété de c.FCI. Droits de reproduction FCI.

All rights strictly reserved. Reproduction or issue to third parties in any form whatever is not permitted without written authority from the proprietor. Property of FCI. Copyright FCI.



PRODUCT NUMBER

51940-263__
NOTE: 3



RECOMMENDED PCB LAYOUT

mat'l code				tolerances unless otherwise specified		CUSTOMER		 www.fciconnect.com	
lfr	ecn no.	dr	date	linear	0.X ± 0.5	COPY		title	
A					0.XX ± 0.25	projection		24S + 10P	
					0.XXX ± 0.1			VERTICAL SOLDER RECEPT	
				angles	0° ± 2°			product family	
				dr	Warren Du 08/19/08	MM		PwrBlade	
				enr	Jerome Chen 08/19/08			code	
				chr	Gary Hsieh 08/19/08	scale		213	
				appd	Joseph Hsia 08/19/08	1:1		sheet	
sheet index		revision sheet						3 of 4	
								A 51940-263	

cage code 28506

Pro/E

PDM: Rev: A

STATUS: Released

Printed: Dec 20, 2010

Tous droits strictement reserves. Reproduction ou communication a des tiers interdite sous quelque forme que ce soit sans autorisation écrite du propriétaire. Propriete de c FCI. Droits de reproduction FCI.

All rights strictly reserved. Reproduction or issue to third parties in any form whatever is not permitted without written authority from the proprietor. Property of FCI. Copyright FCI.



1 | 2

3

4

PRODUCT NUMBER

51940-263__
NOTE: 3

NOTES:

1. DIMENSIONS AND TOLERANCES ARE IN ACCORDANCE WITH ASME Y14.5M, 1994 UNLESS OTHERWISE SPECIFIED.

CONNECTOR NOTES:

- ② HOUSING MATERIAL: UL 94 V-0 GLASS FILLED HIGH-TEMP THERMOPLASTIC
POWER CONTACT MATERIAL: COPPER ALLOY
SIGNAL PIN MATERIAL: COPPER ALLOY
- 3. PLATING SPEC.
51940-263, 51940-263LF PLATING SPEC. WAS SHOWN IN THE PRINT OF 10064183.
- ④ MANUFACTURER'S NAME, P/N, AND DATE CODE TO APPEAR ON THIS SURFACE.
- 5. PRODUCT SPECIFICATION GS-12-149.
APPLICATION SPECIFICATION BUS-20-067.
- 6. PACKAGED IN TRAYS.

PCB NOTES:

- 7. ALL HOLE DIAMETERS ARE FINISHED HOLE SIZE.
- ⑧ MOUNTING HOLES, WHERE APPLICABLE, ARE UNPLATED.
- ⑨ $\varnothing 1.151 \pm 0.025$ DRILLED HOLES PLATED WITH
0.008 MIN SnPb OR Sn OVER 0.03
TO 0.08 Cu PLATING TO ACHIEVE
 $\varnothing 1.02 \pm 0.07$ HOLE.
- ⑩ "DIM XXX" TO BE DETERMINED BY THE CUSTOMER.
- ⑪ CONNECTOR KEEP-OUT ZONE.
- 12. THE VOID CORING IN BETWEEN POWER MODULES, SIGNAL MODULES AND END MODULES ARE OPTIONAL AND THE SHAPE MAY BE DIFFERENT FOR OPTIMIZE THE MOLDING PROCESS. THE VOID CORING WILL NOT EFFECT TO PRODUCT FUNCTION.

mat'l code				tolerances unless otherwise specified		CUSTOMER		 www.fciconnect.com		
ltr	ecn no.	dr	date	linear	0.X ± 0.5		COPY		title 24S + 10P VERTICAL SOLDER RECEPT	
A					0.XX ± 0.25		projection			
					0.XXX ± 0.1					
				angles	0° ± 2°				product family PwrBlade	
				dr	Warren Du	08/19/08	MM			code
				enrg	Jerome Chen	08/19/08				213
				chr	Gary Hsieh	08/19/08	scale			sheet
				appd	Joseph Hsia	08/19/08	1:1			4 of 4
sheet index	revision sheet									

A

A

B

B

1 | 2

Pro/E

PDM: Rev: A

STAT: Released

Printed: Dec 20, 2010

cage code 2856

4