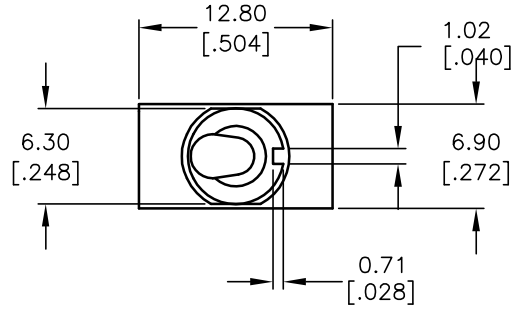


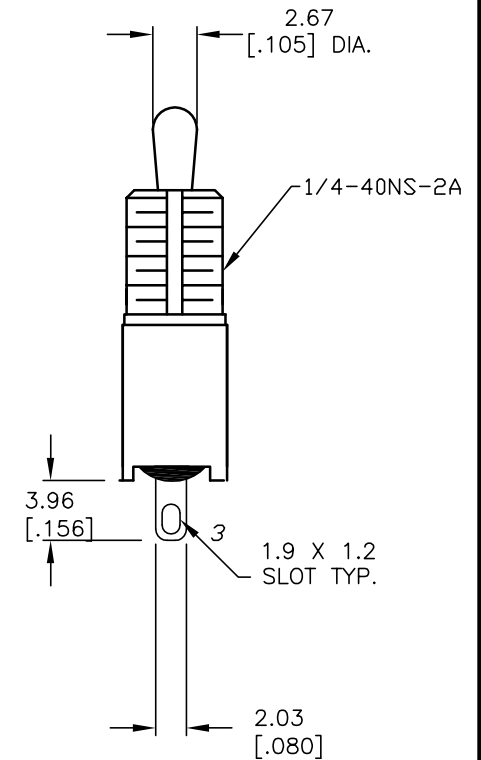
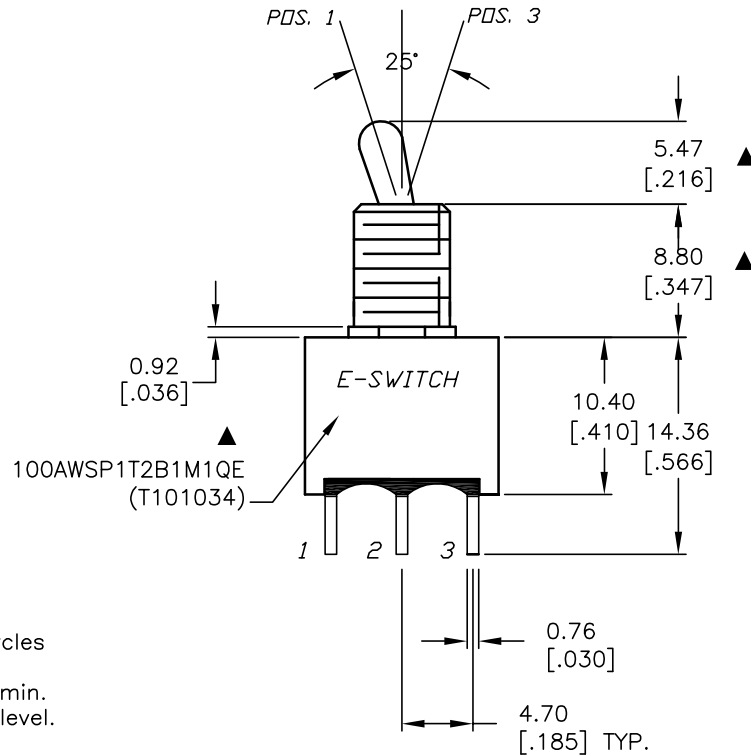
CIRCUIT: SPDT



SWITCH FUNCTION		
PDS. 1	PDS. 2	PDS. 3
ON	NONE	ON
2-3	OPEN	2-1

NOTES:

- ALL DIMENSIONS IN MM [INCH]
- GENERAL TOLERANCE: X.X=±0.4
X.XX=±0.25
- TERMINAL NUMBERS FOR REF ONLY
- RATING: 5A @120VAC or 28VDC
2A @250VAC (w/RESISTIVE LOAD)
- FIXED TERM. & MOVING CONTACT:
Cu Alloy w/Silver plate
- ELECTRIC LIFE: 40,000 make-and-break cycles
at full load.
- INSULATION RESISTANCE: 1,000 Mega-ohm min.
- DIELECTRIC STRENGTH: 1,000 V RMS @sea level.
- OPERATING TEMP.: -30°C to 85°C
- ▲ THE FOLLOWING HARDWARE IS TO BE SHIPPED BULK
T100000 - HEXNUT - QTY 2 PER SWITCH
T100011 - LOCK WASHER - QTY 1 PER SWITCH
T100015 - LOCK RING - QTY 1 PER SWITCH
- ▲ DENOTES CRITICAL PARAMETER.



E-SWITCH®				
TITLE 100AWSP1T2B1M1QEH				
SCALE	DATE	DR	DWG	REV
2:1	10/4/04	AR	ST101034	A

A	14370	RELEASED FOR PRODUCTION	10/4/04	AR
REV.	ECN No.	DESCRIPTION	DATE	CHKD

THE INFORMATION CONTAINED IN THIS DOCUMENT IS PROPRIETARY TO E-SWITCH AND IS NOT TO BE COPIED OR TRANSFERRED