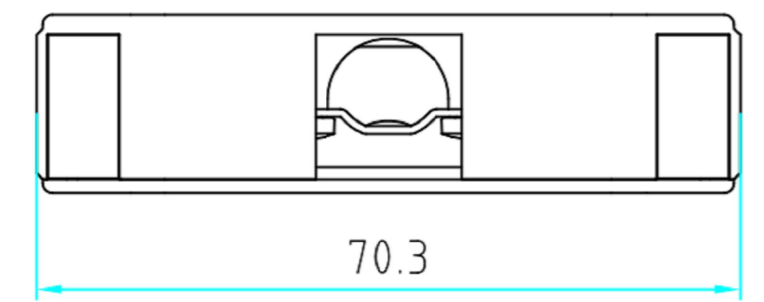
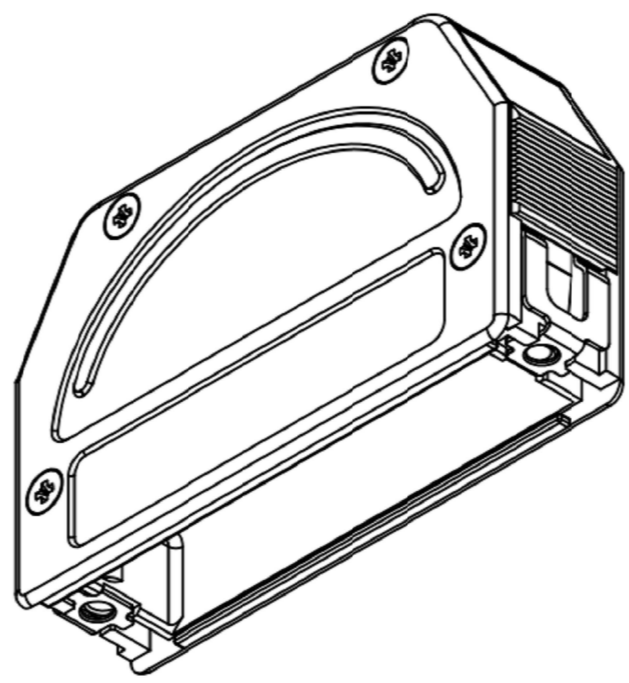
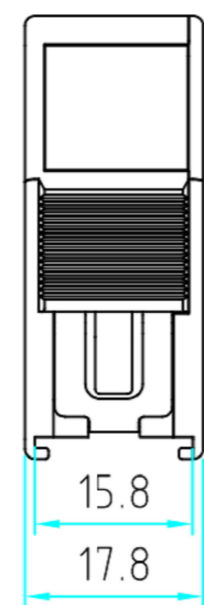
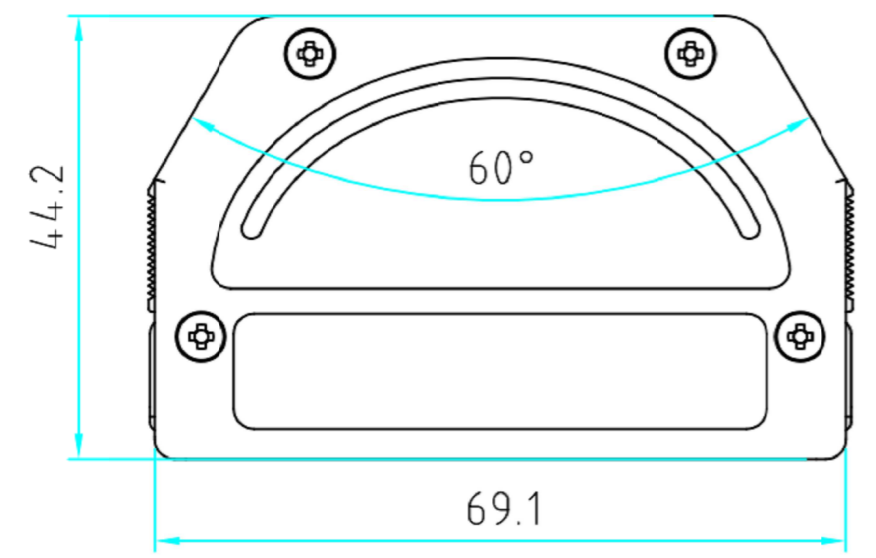
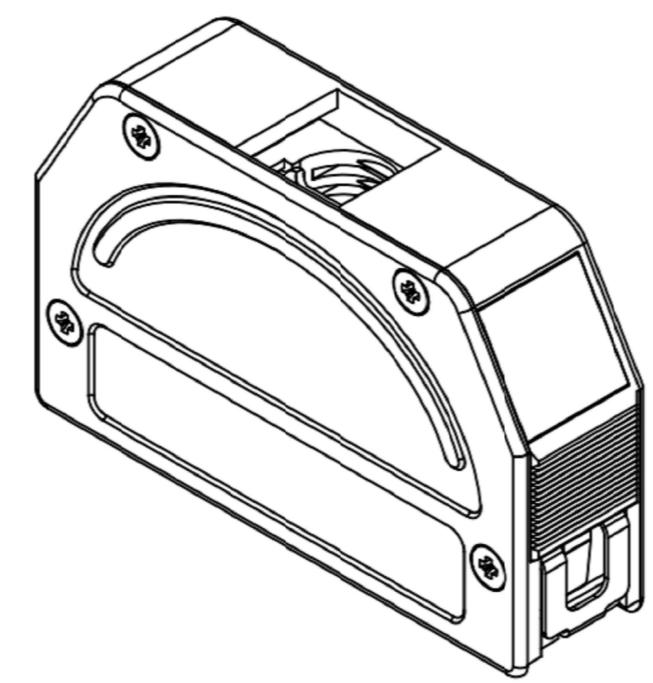
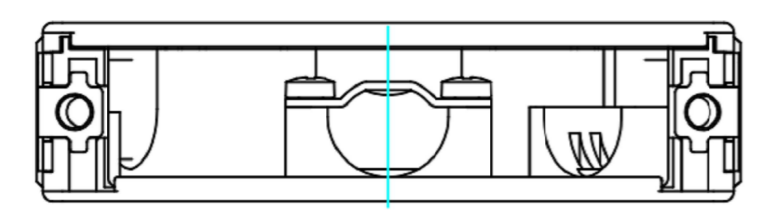
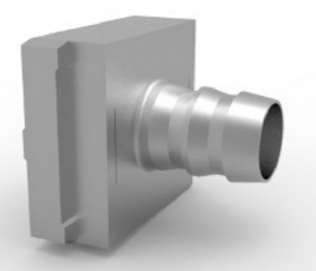


THIS DRAWING IS UNPUBLISHED.		RELEASED FOR PUBLICATION	
© COPYRIGHT - By -		ALL RIGHTS RESERVED.	
PROJECT	PRJ-16-000909157		
PART NO.	X-2308338-X		
DESCRIPTION	QL-FULL METAL HOODS SIZE 5		
CUSTOMER	GENERAL MARKET		

REVISIONS					
P	LTR	DESCRIPTION	DATE	DWN	APVD
	A2	REVISED PER ECR-16-014891	20OCT2016	KK	GG



CABLE CLAMP



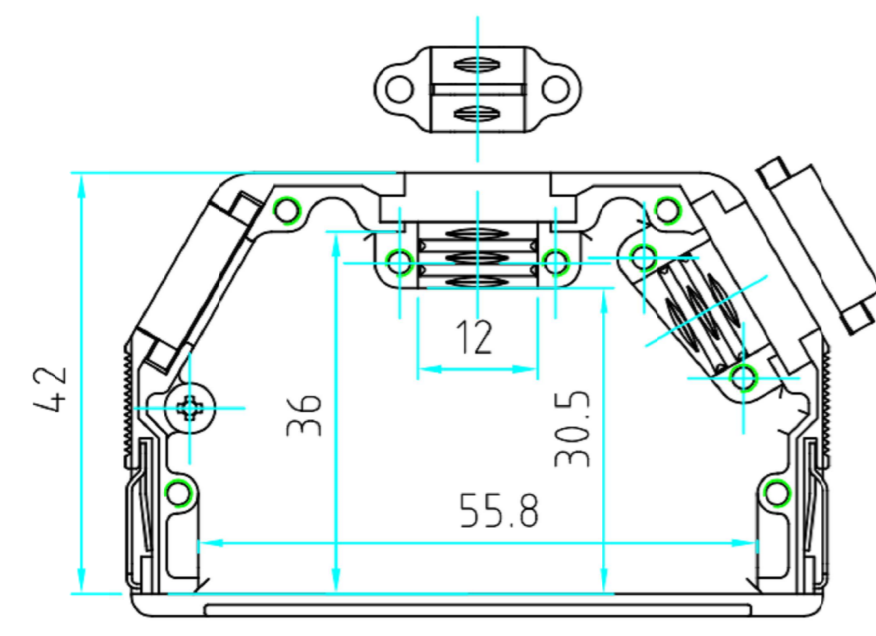
CRIMP FLANGE



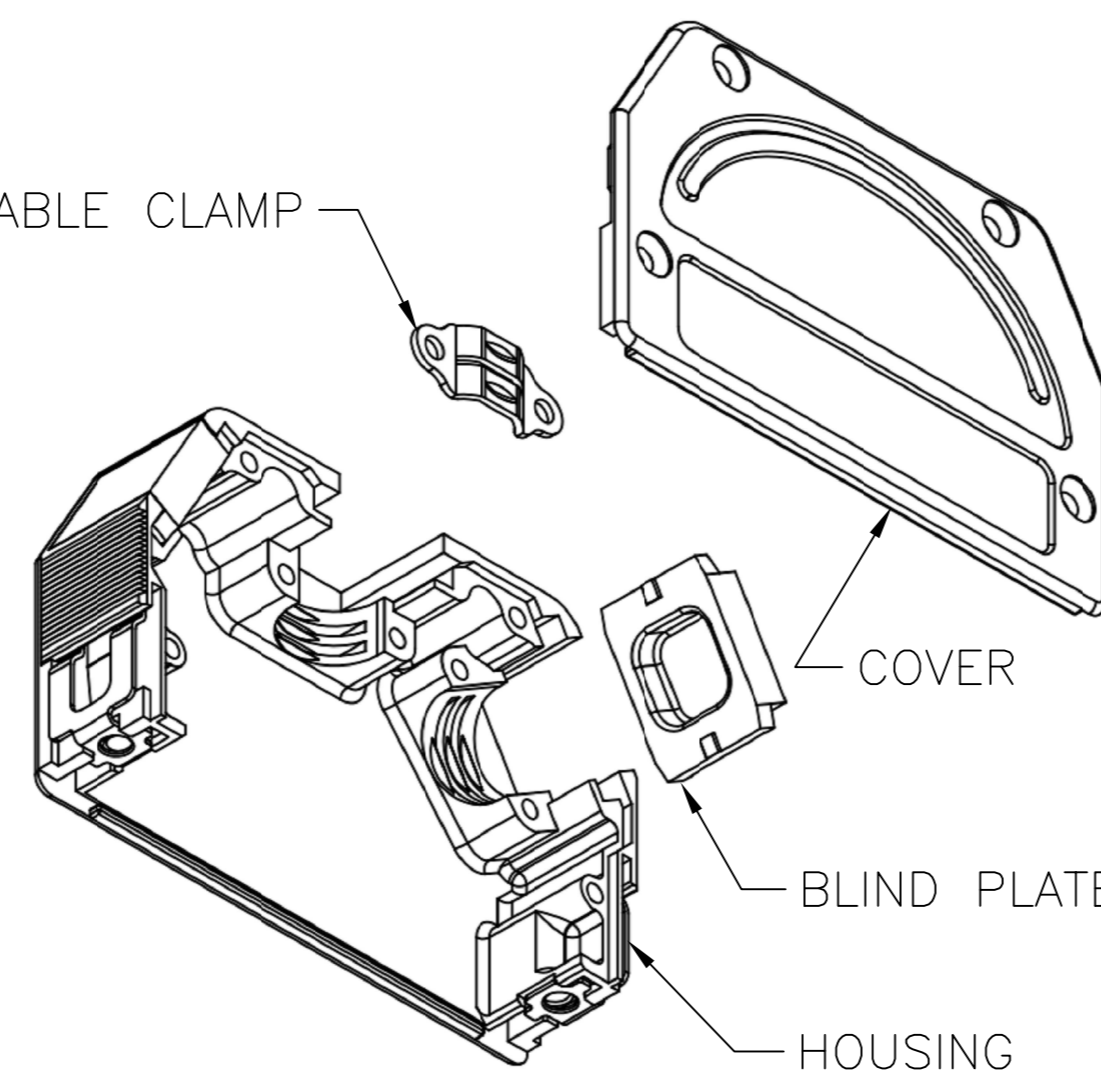
CRIMP BARREL



CABLE CLAMP



HOUSING OPEN



COVER

BLIND PLATE

HOUSING

NOTES:

- 1-2308338-1 = WITH 1 CABLE CLAMP.  
1-2308338-2 = WITH 2 CABLE CLAMP.
- TEMPERATURE: -40°C TO 90°C.
- CABLE DIAMETER: Dk=6-13 mm (FOR Dk=6-9 mm TURN CABLE CLAMP).
- WEIGHT: 105 g.

- \* CRIMP FLANGE PN \*-2308348-\* TO BE ORDERED SEPARATELY.
- \* CRIMP BARREL TO BE USED IN COMBINATION WITH THE FLANGE PN \*-2308350-\* TO BE ORDERED SEPARATELY.
- \* CABLE CLAMP SCREW VERSION PN \*-2308272-\* TO BE ORDERED SEPARATELY.

QTY	QTY	DESCRIPTION (MATERIAL, FINISH)	
1	1	SCREW M2.5x5 (CASE HARDENING STEEL, ZINC-PLATED)	
4	4	SCREW M2.5x6.5 (CASE HARDENING STEEL, ZINC-PLATED)	
2	4	SCREW M2.5x6 (CASE HARDENING STEEL, ZINC-PLATED)	
1	2	CABLE CLAMP (BAND STEEL, ZINC-PLATED)	
2	2	CATCH SPRING (STAINLESS STEEL, RAW)	
2	1	BLIND PLATE (ZINC ALLOY, RAW)	
1	1	COVER (ZINC ALLOY, RAW)	
1	1	HOUSING (ZINC ALLOY, RAW)	
X=1 (1-2308338-1)	X=2 (1-2308338-2)		

THIS DRAWING IS A CONTROLLED DOCUMENT.		DWN	KIRAN K	02AUG2016
DIMENSIONS:		CHK	GUNASEKHAR G	02AUG2016
mm		APVD	GUNASEKHAR G	02AUG2016
TOLERANCES UNLESS OTHERWISE SPECIFIED:		NAME		
DIN ISO 2768 m		GUNASEKHAR G		
0 PLC	± -	PRODUCT SPEC		
1 PLC	± -	APPLICATION SPEC		
2 PLC	± -	-		
3 PLC	± -	-		
4 PLC	± -	-		
ANGLES	± -	-		
MATERIAL	-	WEIGHT	-	
FINISH	-	-		

TE Connectivity		NAME		RESTRICTED TO	
QL-FULL METAL HOODS SIZE 5		SIZE		-	
CUSTOMER DRAWING		CAGE CODE	DRAWING NO	-	
SCALE		00779	C-2308338	-	
NTS		SHEET	1 of 1	REV	
-		-		A2	