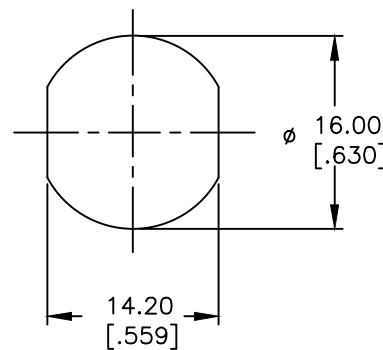
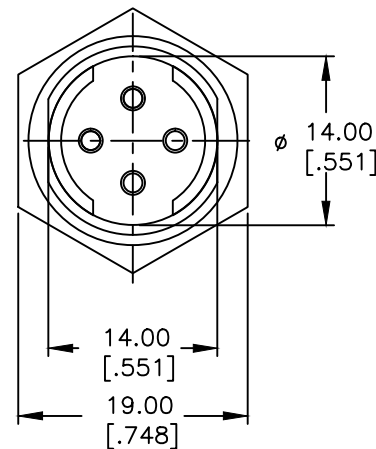
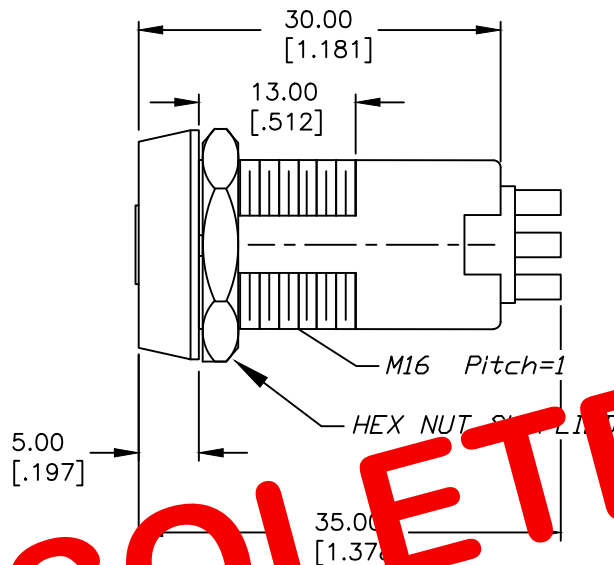


POS 2



OBSOLETE  
MAY 2016  
PCR 22309

NOTES:

1. ALL DIMENSIONS IN MM [INCH]
2. GENERAL TOLERANCE: X.X=±0.4  
X.XX=±0.25
3. TERM. NOS. FOR REFERENCE ONLY.
4. RATING: 3A @125VAC, 1.5A @250VAC
5. CONTACT RESISTANCE: 10mILLI-OHMS
6. DIELECTRIC STRENGTH: 1000 VAC-1Minute
7. INSULATION RESISTANCE: 200 Mega-OHMS min.
8. MATERIALS:  
HOUSING: ZINC ALLOY DIE CAST  
CYLINDER: ZINC ALLOY W/CHROME PLATING  
TERMINAL AND CONTACTS: SILVER PLATED  
KEYS (2) KEY CODE 10002: TUBULAR  
ZINC ALLOY, CHROME PLATING W/PLASTIC COVER

CIRCUIT: SPDT  
CONTACT CONFIGURATION

SWITCH FUNCTION	
POS 1	POS 2
↑	→
ON	ON

LEGEND

- =INDICATES KEY PULL
- ✕ =INDICATES NO KEY PULL

RECOMMENDED PANEL CUTOUT

**E-SWITCH®**

TITLE					K0104B-10009				
SCALE	1.5:1	DATE	2/4/04	DR	AR	DWG	K300110	REV	A

THE INFORMATION CONTAINED IN THIS DOCUMENT IS PROPRIETARY TO E-SWITCH AND IS NOT TO BE COPIED OR TRANSFERRED