

THIS DRAWING IS UNPUBLISHED. RELEASED FOR PUBLICATION 20  
 © COPYRIGHT 20 ALL RIGHTS RESERVED.

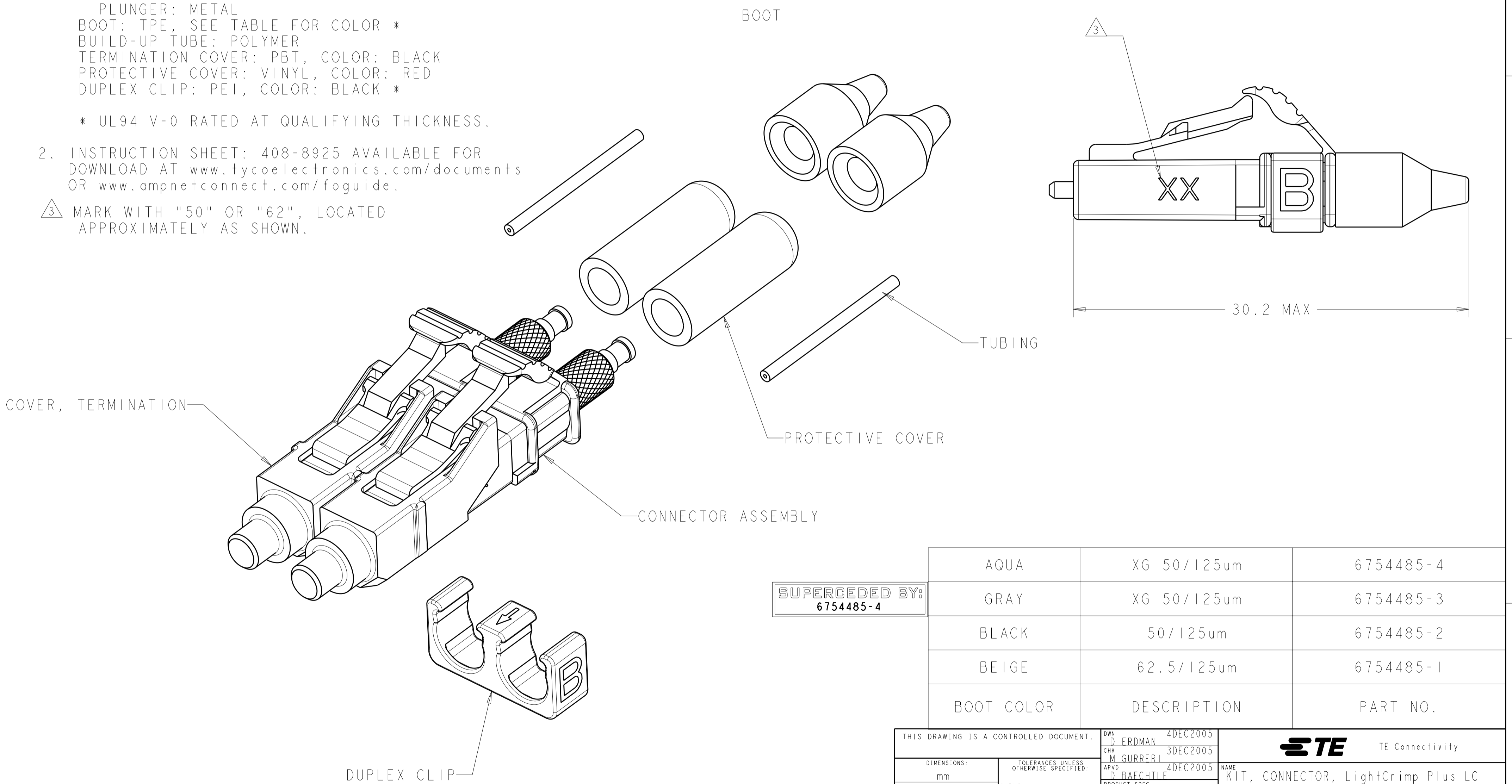
LOC	DIST	REVISIONS					
CE	00	P	LTR	DESCRIPTION	DATE	DWN	APVD
		F3		REVISED PER ECO-11-005139	27APR2011	RK	HMR

1. MATERIAL:  
 CONNECTOR ASSEMBLY:  
 CONNECTOR HOUSING: PPSU, COLOR: BEIGE \*  
 REAR BODY: METAL  
 COMPRESSION SPRING: METAL  
 FERRULE SUB ASSEMBLY: ZIRCONIA/ METAL  
 INTERNAL SPLICE: PEI \*  
 PLUNGER: METAL  
 BOOT: TPE, SEE TABLE FOR COLOR \*  
 BUILD-UP TUBE: POLYMER  
 TERMINATION COVER: PBT, COLOR: BLACK  
 PROTECTIVE COVER: VINYL, COLOR: RED  
 DUPLEX CLIP: PEI, COLOR: BLACK \*

\* UL94 V-0 RATED AT QUALIFYING THICKNESS.

2. INSTRUCTION SHEET: 408-8925 AVAILABLE FOR  
 DOWNLOAD AT [www.tycoelectronics.com/documents](http://www.tycoelectronics.com/documents)  
 OR [www.amphenolconnect.com/foguide](http://www.amphenolconnect.com/foguide).

3. MARK WITH "50" OR "62", LOCATED  
 APPROXIMATELY AS SHOWN.



**SUPERCEDED BY:**  
**6754485-4**

BOOT COLOR	DESCRIPTION	PART NO.
AQUA	XG 50/125um	6754485-4
GRAY	XG 50/125um	6754485-3
BLACK	50/125um	6754485-2
BEIGE	62.5/125um	6754485-1

THIS DRAWING IS A CONTROLLED DOCUMENT.

DIMENSIONS: mm	TOLERANCES UNLESS OTHERWISE SPECIFIED: 0 PLC ±- 1 PLC ±0.5 2 PLC ±0.13 3 PLC ±0.013 4 PLC ±0.0001 ANGLES ± FINISH	DWN D. ERDMAN 14DEC2005 CHK M. GURRERI 13DEC2005 APVD D. BAECHTLE 14DEC2005	TE Connectivity	
MATERIAL		PRODUCT SPEC APPLICATION SPEC	NAME KIT, CONNECTOR, LightCrimp Plus LC DUPLEX, MM 250-900um BUFFER	
		WEIGHT	SIZE A200779	CAGE CODE C-6754485
		CUSTOMER DRAWING	SCALE 4:1	SHEET 1 OF 1 REV F3