



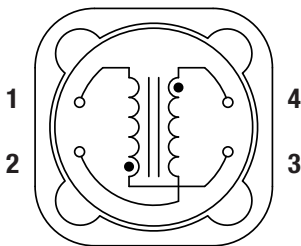
### FEATURES

- RoHS compliant
- 1.0μH to 400μH<sup>1</sup>
- Up to 12.3A IDC
- Bobbin format
- Dual winding
- Surface mount
- Integral EMI shield
- Compact size
- Tape and reel packaging
- J-STD-020-C reflow
- Backwards compatible with Sn/Pb soldering systems

### DESCRIPTION

The 4800 series is a range of dual wound inductors offering flexible options. Windings have a 1:1 ratio and can be connected in series or parallel to create a wide range of inductance combinations. The secondary winding could also be used as a feedback winding in switched mode power supplies.

### PIN CONNECTIONS (TOP VIEW)

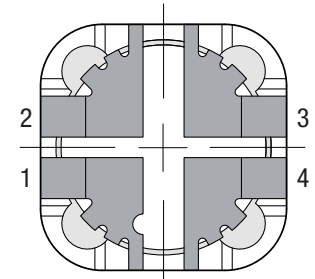
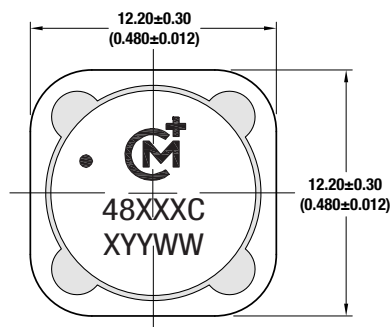


3 & 1 = Primary winding  
4 & 2 = Secondary winding

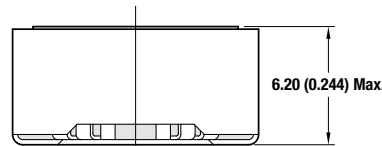
### SELECTION GUIDE

Order Code	Inductance <sup>1</sup> (10kHz, 100mVAC) 1&3, 2&4	Inductance Range (10kHz, 100mVAC) 1&3, 2&4	DC Current <sup>2</sup> (parallel connection)	DC Resistance 1&3, 2&4
	Nom.	Min. - Max.	Max.	Max.
	μH	μH	A	mΩ
481R0C	1.0	0.66 - 1.11	12.3	9.00
482R2C	2.2	1.64 - 2.73	8.30	13.5
483R3C	3.3	2.29 - 3.82	6.80	19.1
484R7C	4.7	4.18 - 6.27	5.70	29.4
486R8C	6.8	5.22 - 7.83	4.70	39.9
48100C	10	7.65 - 11.5	3.90	61.4
48150C	15	12.2 - 18.2	3.20	77.4
48220C	22	17.7 - 26.6	2.60	119
48330C	33	26.7 - 40.1	2.10	184
48470C	47	37.6 - 56.4	1.80	274
48680C	68	53.8 - 80.7	1.50	409
48101C	100	81.3 - 122	1.23	503

### MECHANICAL DIMENSIONS



Recommended Footprint Details



All dimensions in mm (inches). Package weight: 3.1g Typ.

### ABSOLUTE MAXIMUM RATINGS

Isolation voltage (flash tested for 1 second), pins 3 & 4	500VDC
Operating free air temperature range	-40°C to 85°C
Storage temperature range	-40°C to 125°C

### SOLDERING INFORMATION<sup>3</sup>

Peak reflow temperature	245°C
Pin finish	Tin

Specifications typical at T<sub>a</sub> = 25°C

1 When connecting windings in series, inductance will be 4 times the nominal figure shown.

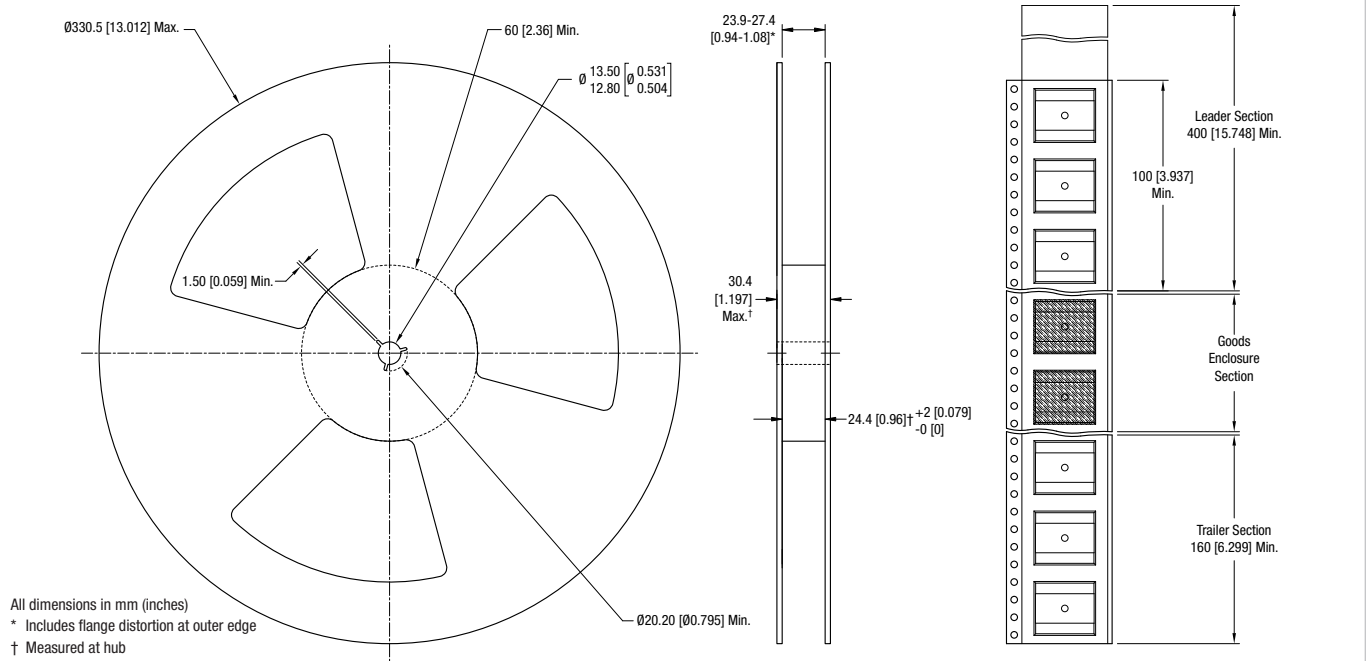
2 If current is flowing in both windings, the maximum DC current occurs when either the inductance falls to 85% of its nominal value or when its temperature rise reaches 40°C, whichever is sooner.

3 For further information, please visit [www.murata-ps.com/rohs](http://www.murata-ps.com/rohs)

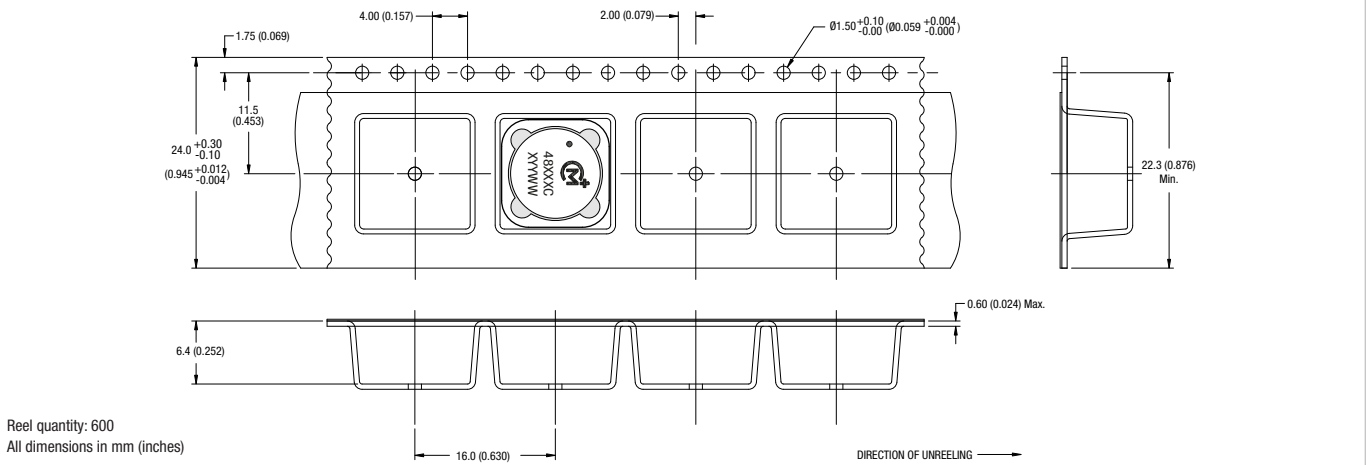


**TAPE & REEL SPECIFICATIONS**

**REEL OUTLINE DIMENSIONS**



**TAPE OUTLINE DIMENSIONS**



Murata Power Solutions, Inc.  
 11 Cabot Boulevard, Mansfield, MA 02048-1151 U.S.A.  
 ISO 9001 and 14001 REGISTERED

Murata Power Solutions, Inc. makes no representation that the use of its products in the circuits described herein, or the use of other technical information contained herein, will not infringe upon existing or future patent rights. The descriptions contained herein do not imply the granting of licenses to make, use, or sell equipment constructed in accordance therewith. Specifications are subject to change without notice.  
 © 2016 Murata Power Solutions, Inc.