

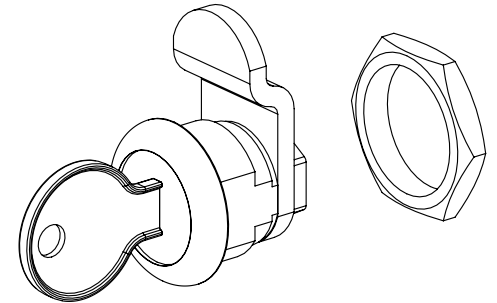
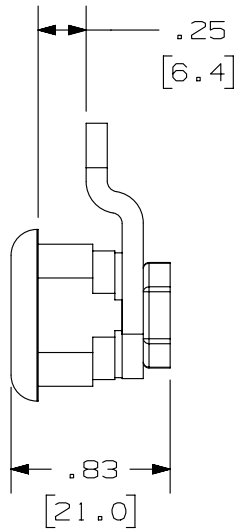
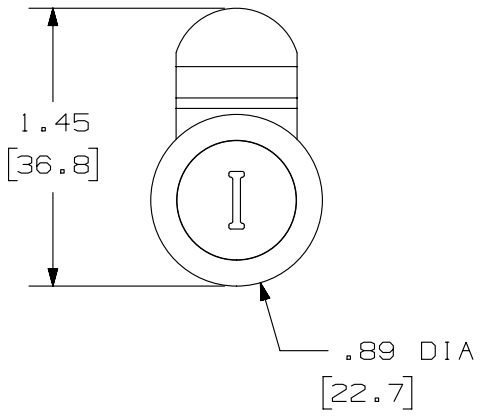
2

1

THIS COPY IS PROVIDED ON A RESTRICTED BASIS AND IS NOT TO BE USED IN ANY WAY DETRIMENTAL TO THE INTERESTS OF PANDUIT CORP.

PANDUIT P/N	WEIGHT
MSCLK	.12 LB/EACH PC (53.13 g/EACH PC)

- NOTES:
- SEE CURRENT CATALOG FOR ADDITIONAL PART NUMBER SUFFIXES TO INDICATE COLOR AND OR PACKAGE QUANTITY.
 - SEE CATALOG FOR COMPLETE LIST OF PARTS APPLICABLE FOR USE WITH THIS PART.
 - DIMENSIONS IN [] ARE IN METRIC.
 - PART INCLUDES:
 - 1- CAM LOCK
 - 1- HEX NUT
 - 2- KEY



A

PART NUMBER		MSCLK	
TITLE			
CAM LOCK FOR MDS FRAMELESS HINGED DOORS			
CUSTOMER DRAWING			
ITEM REVISION NAME		M03201BK/02	
DATASET FILE NAME		M03201BK_DC16/02A	
UNLESS OTHERWISE SPECIFIED, DIMENSIONAL TOLERANCES ARE: IN [mm]		MATERIAL:	
.x ± .xxx ± .010 [.3]		STEEL	
.xx ± .03 [.8]		DRAWING NUMBER:	
ANGLES ±		03201 - 16	
THIRD ANGLE PROJECTION		SHT 1 OF 1	
DRAWN BY	DATE	CHK	SCALE
JSP	1-26-09	REFR	NONE
REV	DATE	BY	CHK
1	5-08-14	MDJR	REFR
R	1-26-09	JSP	REFR
DESCRIPTION		ECN	
UPDATED TITLE BLOCK.		03201-16	
RELEASED TO PRODUCTION		03201-16	

B

A

2

1

D10100DA/14