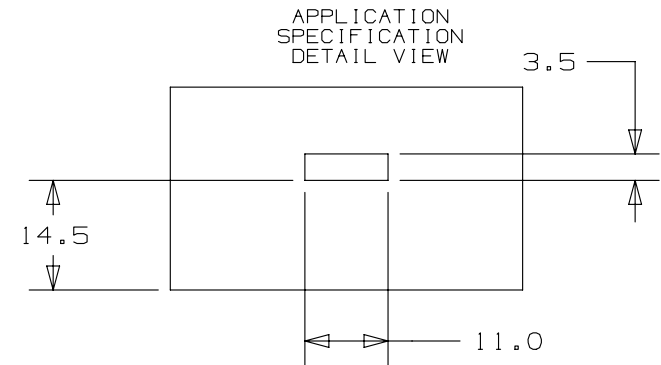
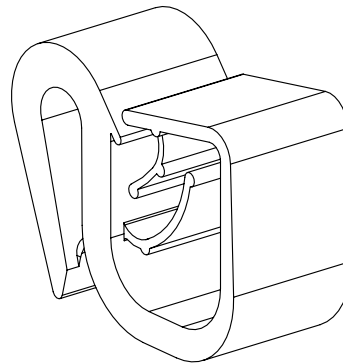
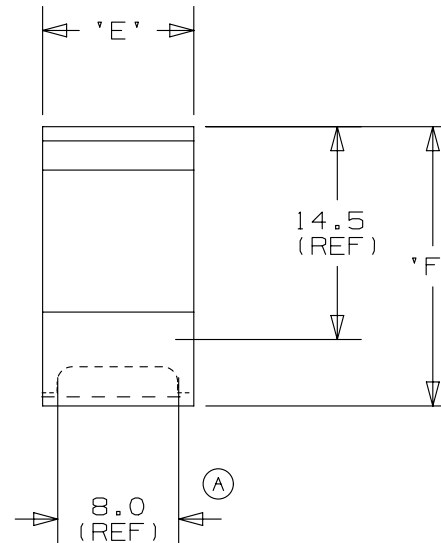
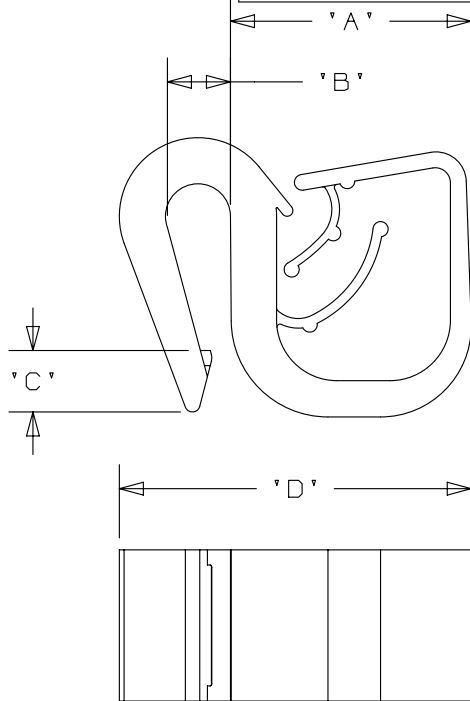


PANDUIT PART NO.	BUNDLE DIA MIN-MAX.	DIMENSIONS						MATERIAL	COLOR	WEIGHT	
		'A'	'B'	'C'	'D'	'E'	'F'			grams	100 pcs
HCME04Y09--...20	4 - 9	16.5	4.2	4.5	23.2	10	19.2	NYLON 6/6	BLACK	250	
HCME04Y09--...30								HEAT STABILIZED NYLON 6/6			
HCME04Y09--...130		ACETAL									



- NOTES:
- REFER TO CURRENT PRICE SHEET FOR PART NUMBER SUFFIX DESIGNATION FOR PACKAGE SIZE, AND COLOR.
 - (*) DIMENSIONAL VARIANCE IS POSSIBLE DUE TO MOLDING PROCESS RELATED SINKMARKS.
 - APPLICATION SPECIFICATIONS:
RECTANGULAR HOLE: 3.5 x 11.0 mm
PANEL THICKNESS: 0.8 - 4.0 mm

(A)

TITLE		HARNESS CLIP FOR EDGE MOUNT		(A)
CUSTOMER DRAWING				
ITEM REVISION NAME	10B015MS/01			
DATASET FILE NAME	10B015MS_DC/01 - GB0239FN_REV04			
UNLESS OTHERWISE SPECIFIED, ALL DIMENSIONS ARE METRIC TOLERANCE: ±0.5 mm		MATERIAL: SEE CHART		
DRAWING NUMBER: GB0239FN				
THIRD ANGLE PROJECTION				
DRAWN BY	DATE	CHK	SCALE	SIZE
JAD	12-11-97		2X	A

REV	DATE	BY	CHK	APR	DESCRIPTION	ECN
04	5/08/14	BWG	MPH	JADE	(A) UPDATED TILE BORDER CORRECTED HOLE SIZE.	GB0239FN/04