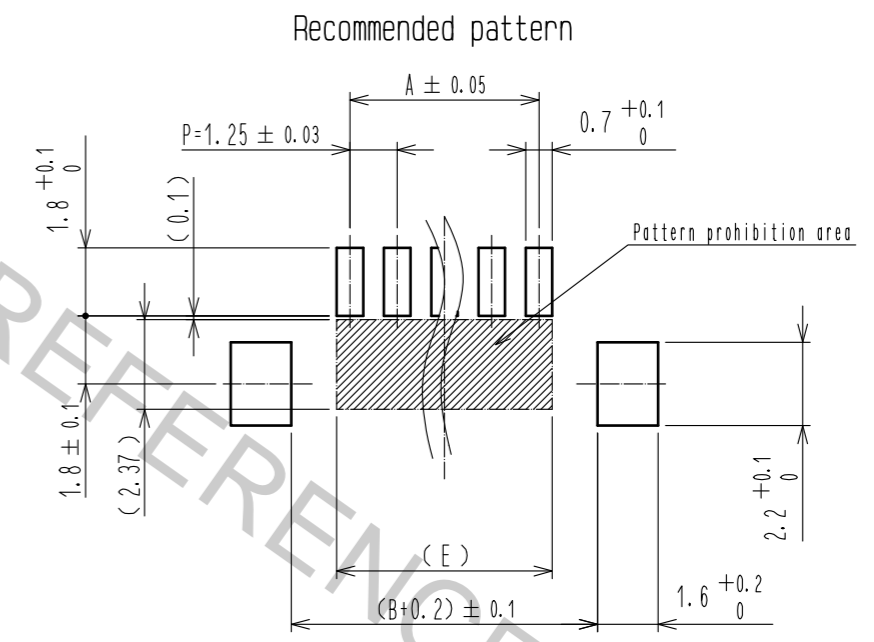
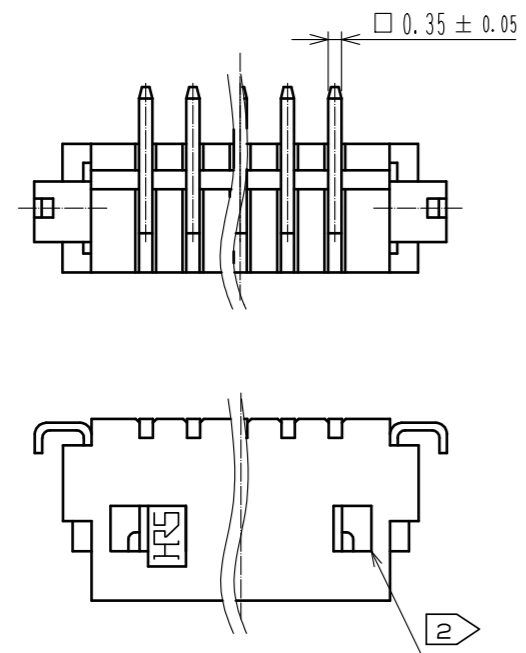
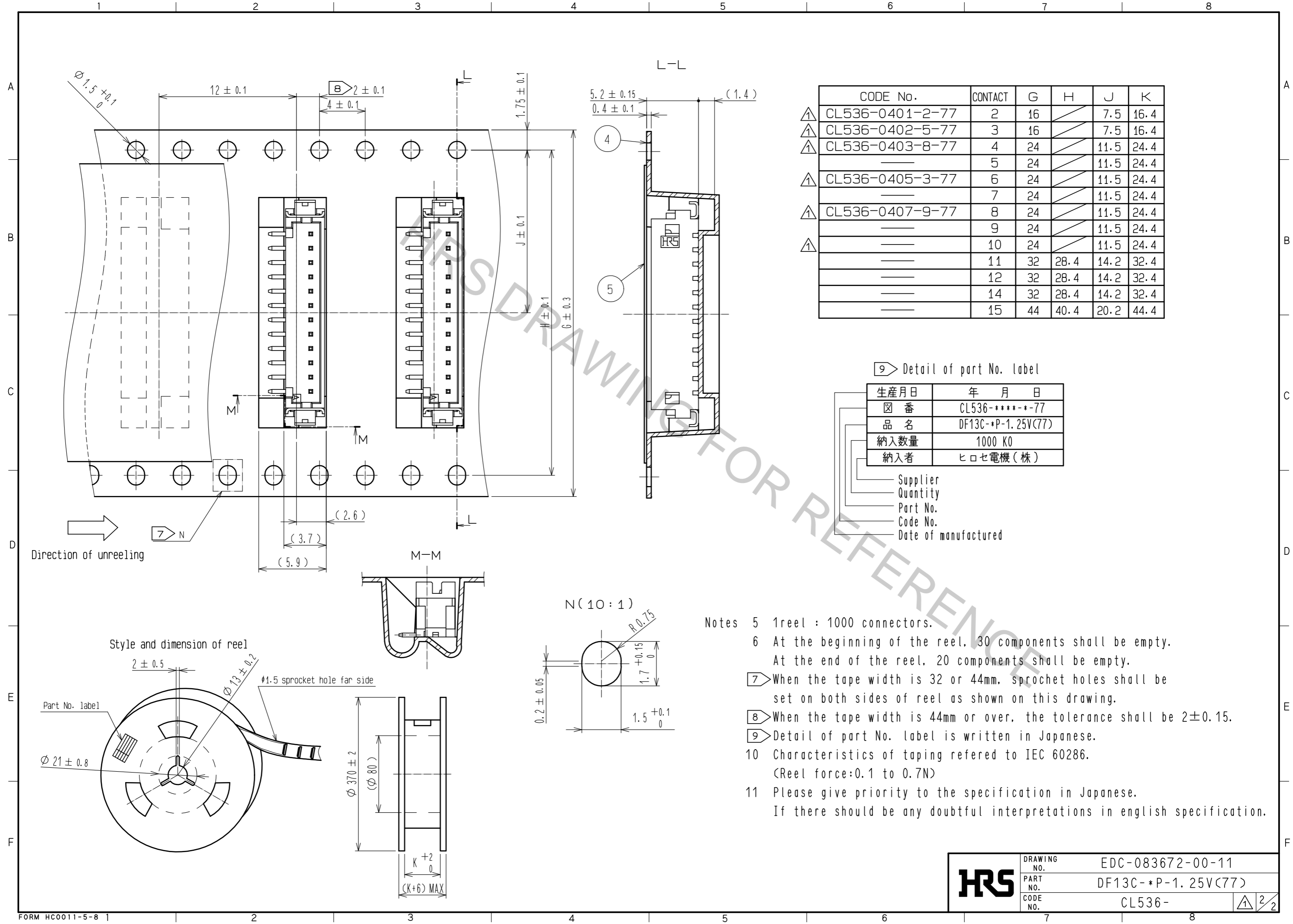


CODE No.	CONTACT	A	B	C	D	E	F
△ CL536-0401-2-77	2	1.25	4.15	7.15	5.65	1.95	2.2
△ CL536-0402-5-77	3	2.5	5.4	8.4	6.9	3.2	3.45
△ CL536-0403-8-77	4	3.75	6.65	9.65	8.15	4.45	3.1
—	5	5.0	7.9	10.9	9.4	5.7	4.35
△ CL536-0405-3-77	6	6.25	9.15	12.15	10.65	6.95	5.6
—	7	7.5	10.4	13.4	11.9	8.2	6.85
△ CL536-0407-9-77	8	8.75	11.65	14.65	13.15	9.45	8.1
—	9	10.0	12.9	15.9	14.4	10.7	9.35
—	10	11.25	14.15	17.15	15.65	11.95	10.6
—	11	12.5	15.4	18.4	16.9	13.2	11.85
—	12	13.75	16.65	19.65	18.15	14.45	13.1
—	14	16.25	19.15	22.15	20.65	16.95	15.6
—	15	17.5	20.4	23.4	21.9	18.2	16.85



- Notes
- 1 When this connector mates with DF13-*S-1.25C, the mating length is 5.8mm.
 - 2 When this connector has two or three contacts, the lock shall be set at the center of housing. If more than four, the two locks shall be set as shown on this drawing.
 - 3 Lead co-planarity including reinforced metal fittings shall be within 0.1mm.
 - 4 Area to pick and place.

2	Brass	Surface plating:Gold plated 0.76μm min. Under plating:Nickel plating 0.5μm min.	5	Polyester	Cover tape. Clear
1	Polyamide	UL94V-0, Beige	4	PS	Embossed carrier tape. Clear
NO.	MATERIAL	FINISH . REMARKS	NO.	MATERIAL	FINISH . REMARKS
UNITS mm	⊕	SCALE 5 : 1	COUNT 12	DESCRIPTION OF REVISIONS DIS-H-00002683	DESIGNED YK. YAMAGUCHI
APPROVED : KJ. KATAYOSE		05.01.05	DRAWING NO. EDC-083672-00-11		CHECKED TS. FUKUSHIMA
CHECKED : TY. OMA		05.01.05	PART NO. DF13C-*P-1.25V(77)		DATE 17.03.10
DESIGNED : TS. KUMAZAWA		05.01.05	CODE NO. CL536-		1/2
DRAWN : TS. KUMAZAWA		05.01.05			



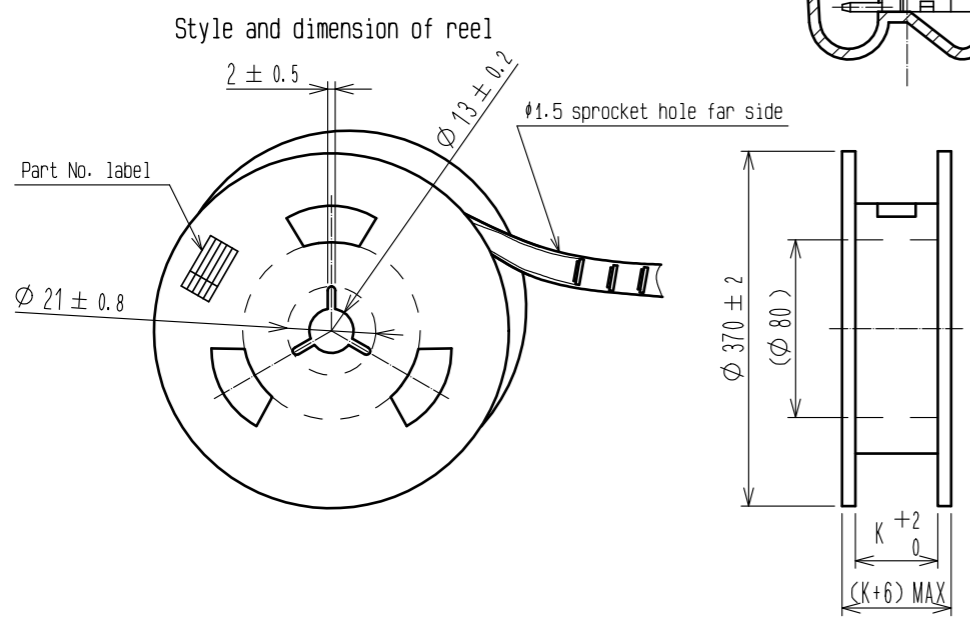
CODE No.	CONTACT	G	H	J	K
CL536-0401-2-77	2	16	/	7.5	16.4
CL536-0402-5-77	3	16	/	7.5	16.4
CL536-0403-8-77	4	24	/	11.5	24.4
—	5	24	/	11.5	24.4
CL536-0405-3-77	6	24	/	11.5	24.4
—	7	24	/	11.5	24.4
CL536-0407-9-77	8	24	/	11.5	24.4
—	9	24	/	11.5	24.4
—	10	24	/	11.5	24.4
—	11	32	28.4	14.2	32.4
—	12	32	28.4	14.2	32.4
—	14	32	28.4	14.2	32.4
—	15	44	40.4	20.2	44.4

9 Detail of part No. label

生産月日	年 月 日
図 番	CL536-****-77
品 名	DF13C-*P-1.25V(77)
納入数量	1000 K0
納入者	ヒロセ電機(株)

Supplier
Quantity
Part No.
Code No.
Date of manufactured

- Notes
- 5 1 reel : 1000 connectors.
 - 6 At the beginning of the reel, 30 components shall be empty.
At the end of the reel, 20 components shall be empty.
 - 7 When the tape width is 32 or 44mm, sprocket holes shall be set on both sides of reel as shown on this drawing.
 - 8 When the tape width is 44mm or over, the tolerance shall be 2 ± 0.15 .
 - 9 Detail of part No. label is written in Japanese.
 - 10 Characteristics of taping referred to IEC 60286.
(Reel force: 0.1 to 0.7N)
 - 11 Please give priority to the specification in Japanese.
If there should be any doubtful interpretations in english specification.



HRS	DRAWING NO.	EDC-083672-00-11
	PART NO.	DF13C-*P-1.25V(77)
	CODE NO.	CL536-