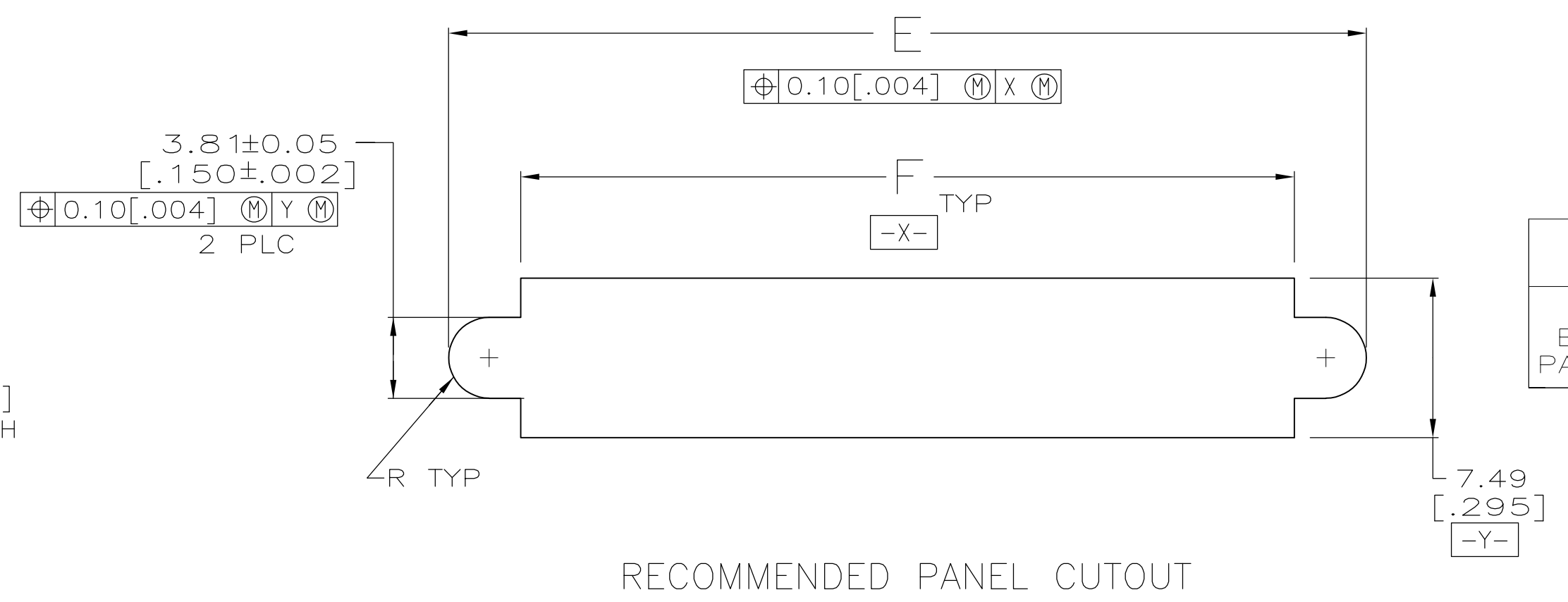
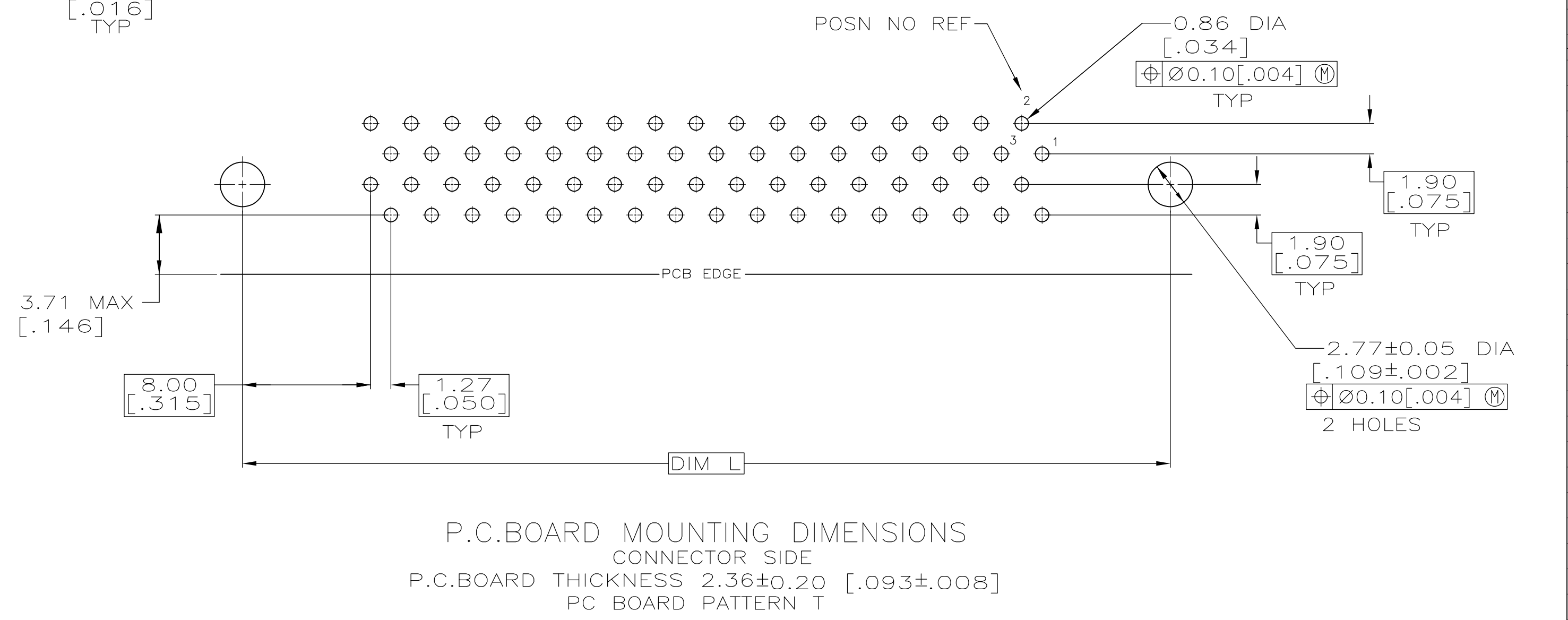
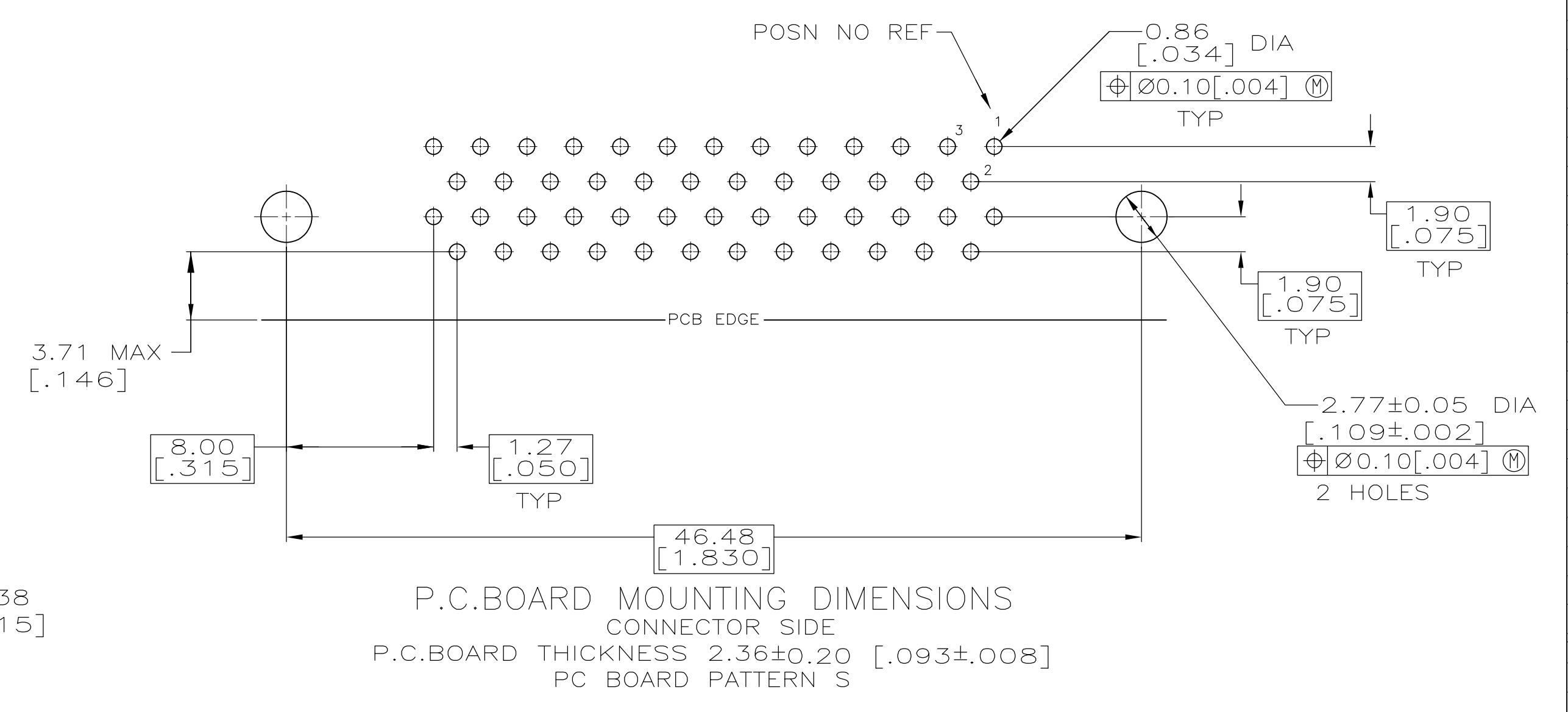
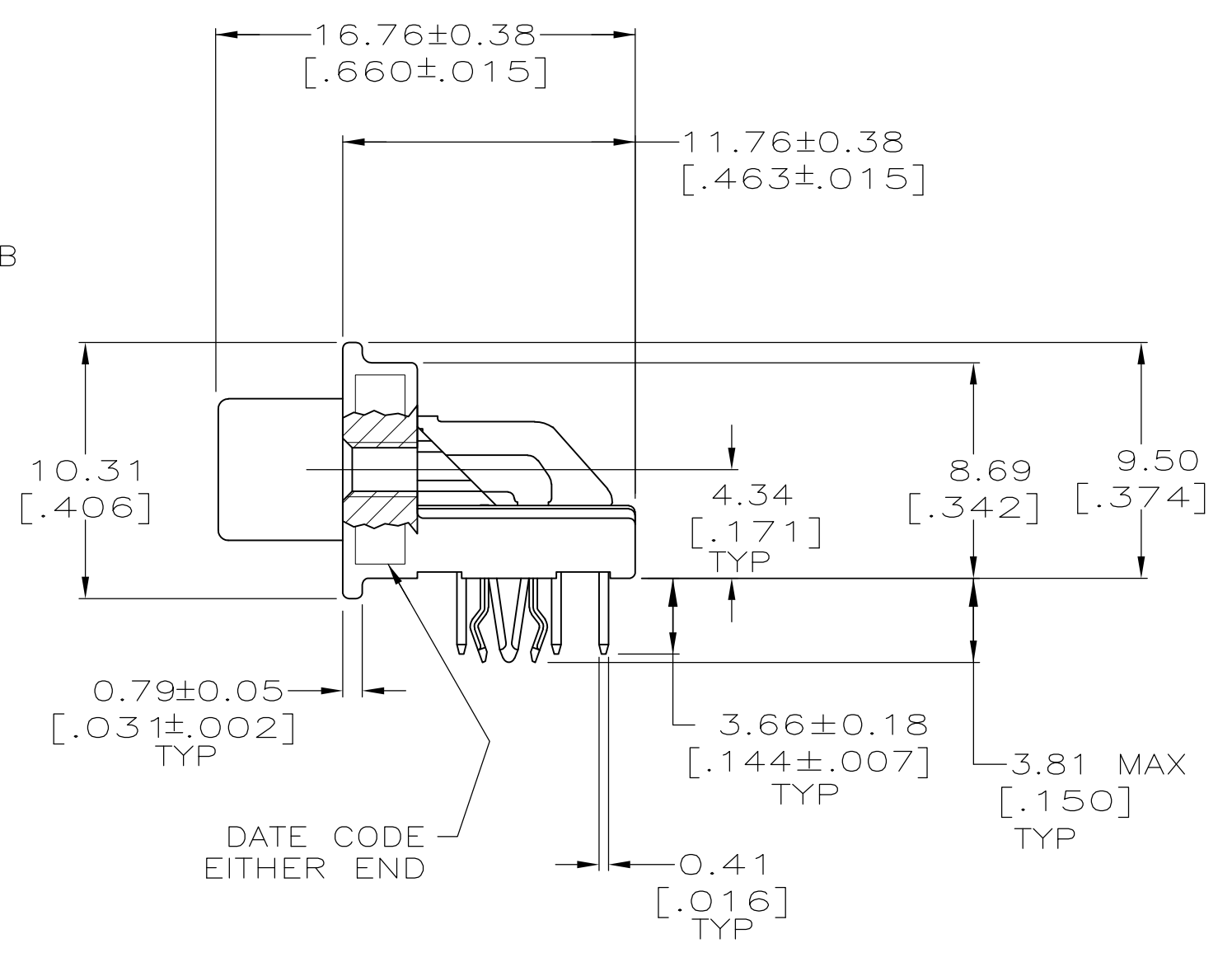


- 1 MATERIAL  
 CONTACTS: PHOSPHOR BRONZE  
 HOUSING & PIN SPACER: UL 94V-0 RATED, THERMOPLASTIC, BLACK  
 BRACKET: ZINC  
 SHELL: CARBON STEEL  
 BOARDLOCKS: COPPER ALLOY
- 2 FINISH  
 CONTACT: EITHER 0.76µm [.000030] MIN GOLD PLATE FOR A LENGTH OF 0.64 [.025] MAX, 0.13 [.005] MIN FROM MATING END OR GOLD FLASH OVER PALLADIUM NICKEL PLATE, 0.76µm [.000030] MIN TOTAL FOR A LENGTH OF 0.64 [.025] MAX, 0.13 [.005] MIN FROM MATING END, 3.81µm [.000150] MIN TIN ON OPPOSITE END FOR A LENGTH OF 3.23 [.127] MIN, BOTH OVER 1.27µm [.000050] MIN NICKEL UNDERPLATE.  
 SHELL: 5.08µm [.000200] MIN NICKEL OVER 1.27µm [.000050] MIN COPPER.  
 BRACKET: 2.54µm [.000100] MIN NICKEL OVER 5.08µm [.000200] COPPER.  
 BOARDLOCKS: 5.08µm [.000200] MIN TIN OVER 1.27µm [.000050] MIN NICKEL.



|                  |         |        |         |         |         |         |         |            |             |
|------------------|---------|--------|---------|---------|---------|---------|---------|------------|-------------|
| T                | 78.23   | 0.64   | 69.44   | 82.04   | 84.20   | 66.45   | 78.23   | 100        | 6888135-1   |
| PC BOARD PATTERN | L       | G      | F       | E       | D       | B       | A       | NO OF POSN | PART NUMBER |
|                  | [3.080] | [.025] | [2.734] | [3.230] | [3.315] | [2.616] | [3.080] |            |             |

THIS DRAWING IS A CONTROLLED DOCUMENT.

|                    |  |           |           |           |                              |
|--------------------|--|-----------|-----------|-----------|------------------------------|
| DIMENSIONS: INCHES | TOLERANCES UNLESS OTHERWISE SPECIFIED: | DIN 52    | MCMMASTER | 07NOV05   | Tyco Electronics Corporation |
| 0 PLC ± -          | 1 PLC ± -                              | 2 PLC ± - | 3 PLC ± - | 4 PLC ± - | ANGLES ± -                   |
| 1                  | 2                                      | 3         | 4         | 5         | 6                            |

DATE: 07NOV05  
 CHK: S. SHUEY  
 DRN: S. SHUEY  
 NAME: S. SHUEY  
 PRODUCT SPEC: 108-1228  
 APPLICATION SPEC: 114-40029  
 WEIGHT: -  
 CUSTOMER DRAWING: 00779  
 SCALE: 4:1  
 SHEET: 1 of 1  
 REV: C