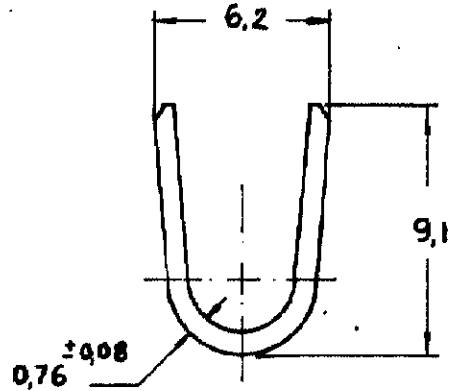
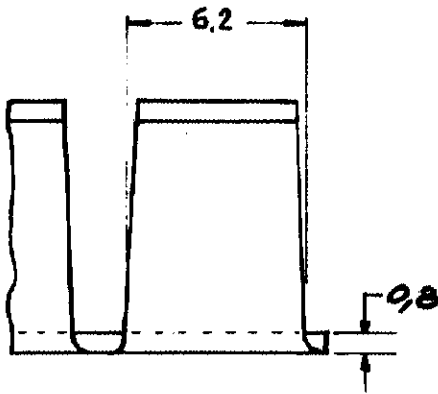


DRAWING MADE IN THIRD ANGLE PROJECTION

LOC *AP* DIST

© Copyright 1976 by AMP DO BRASIL - S. P. All International Rights Reserved. AMP Incorporated products covered by U. S. and Foreign patents and/or patents pending.

REVISIONS			
LTR	DESCRIPTION	DATE	APPROVED
<i>C</i>	<i>AMP-TRADE MARK ADDED.</i>		



FINISH	MATERIAL	PART NO
	<i>LATÃO</i>	<i>626315-2</i>
<i>— 1 —</i>	<i>LATÃO</i>	<i>626315-1</i>

UNLESS OTHERWISE SPECIFIED DIMENSIONS ARE IN INCHES. TOLERANCES ON: DECIMALS ± 0.5 mm ANGLES ±

CONTRACT NO  
DR *Kjellberg 17/02/76*  
CHK

TOLERANCE



AMP DO BRASIL  
S. Paulo - Brasil

MATERIAL  
*TABELA*

APPD  
APPD

NAME

*STANDARD SPLICE*

FINISH  
*TABELA*

WIRE RANGE  
*15000 - 25000 CMA*

SIZE  
**A**

LOC  
AP.

DRAWING NO

*626315*

REV.  
*C*

SCALE *4:1*

SHEET *1-1*