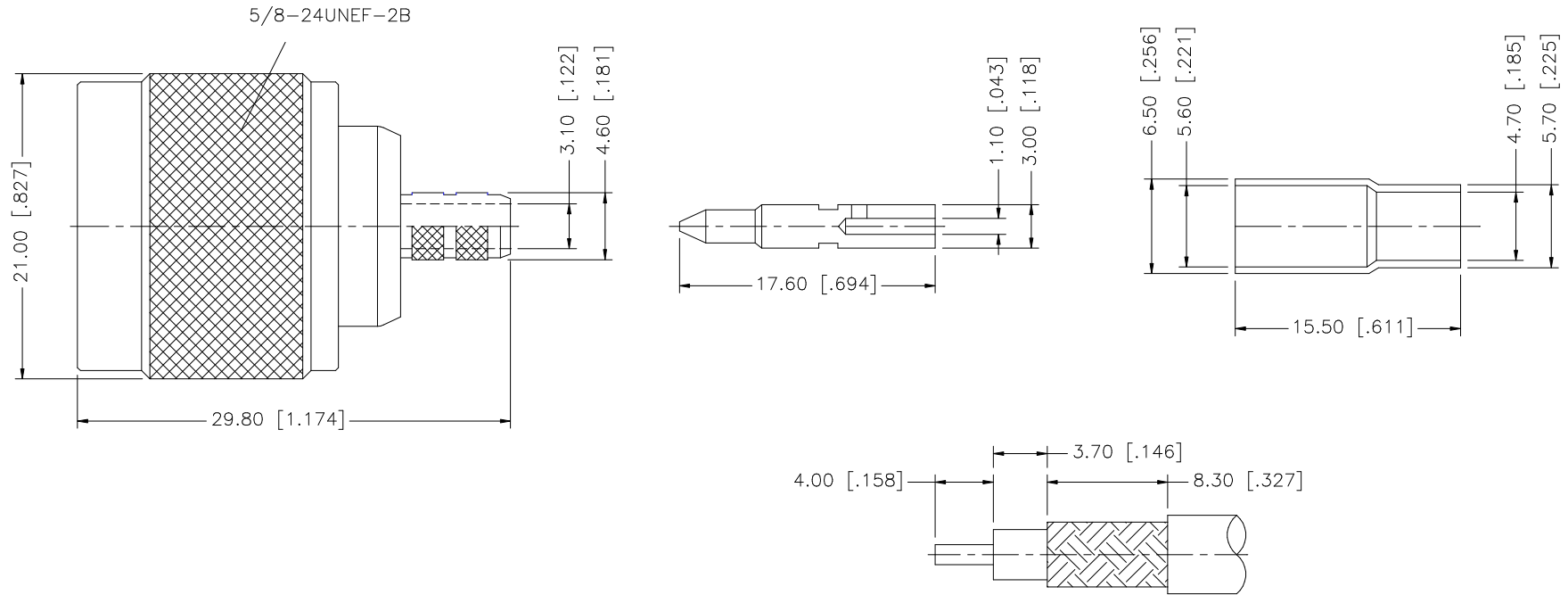


REV.	DATE	DESCRIPTION
A	06/01/99	MODIFY FERRULE
B	05/24/07	UPDATE DRAWING FORMAT



RECOMMENDED
CABLE STRIPPING DIM'S

NOTE:

1. CRIMPED FERRULE HEX CRIMP SIZE .213".
2. CRIMPED CONTACT PIN HEX CRIMP SIZE .100"

REV.	DATE	DESCRIPTION
8		
7		
6		
5		
4	FERRULE	COPPER NEXCOTE 1
3	CONTACT PIN	BRASS GOLD 1
2	INSULATOR	TEFLON NATURAL 1
1	BODY	BRASS NEXCOTE 1
DESCRIPTION	MATERIAL	FINISH QTY

UNLESS OTHERWISE SPECIFIED DIMENSIONS ARE IN MILLIMETERS. DIMENSIONS IN [] ARE IN INCHES AND FOR CUSTOMER REFERENCE ONLY.		APPROVALS	DATE
UNLESS OTHERWISE SPECIFIED TOLERANCES FOR MILLIMETERS ARE: 0.5 - 8mm ± 0.20mm 8 - 30mm ± 0.40mm 30 - 120mm ± 0.50mm		DRAWN G.R.S.	05/24/07
UNLESS OTHERWISE SPECIFIED TOLERANCES FOR INCHES ARE: .020 - .315 = ± 0.007" .315 - 1.180 = ± 0.015" 1.180 - 4.724 = ± 0.020"		CHECKED	
DO NOT SCALE DRAWING		ISSUED	
		SHEET 1 OF 1	
		CAD FILE	
		C:/172/172161.DWG	

Amphenol Connex			
PART DESCRIPTION N CRIMP PLUG (FOR 58 PLENUM, BELDEN 88240, BELDEN 89907)			
PART NO. 172161			
DWG. NO.	172161.DWG	REV.	B
SIZE	A	SCALE	NA