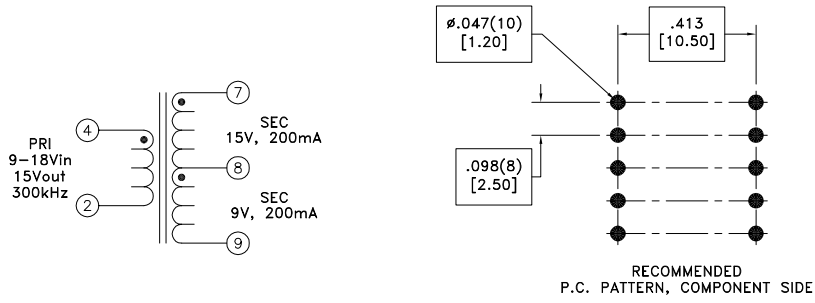
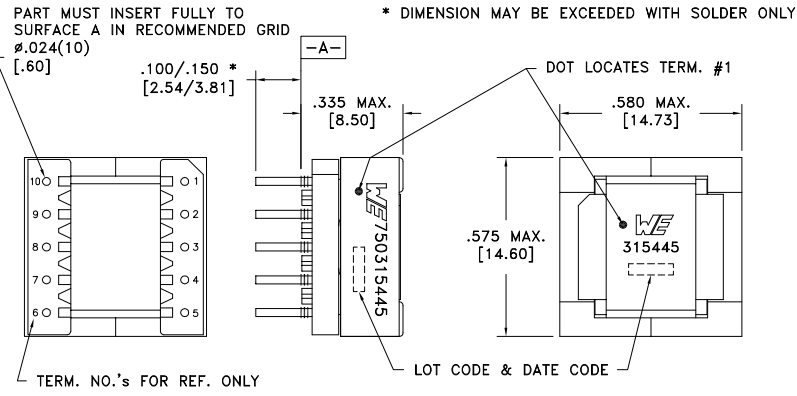


CUSTOMER TERMINAL	RoHS	LEAD(Pb)-FREE
Sn96%, Ag4%	Yes	Yes



ELECTRICAL SPECIFICATIONS @ 25°C unless otherwise noted:

PARAMETER	TEST CONDITIONS	VALUE
D.C. RESISTANCE	4-2 @20°C	0.038 ohms ±20%
D.C. RESISTANCE	7-8 @20°C	0.092 ohms ±10%
D.C. RESISTANCE	8-9 @20°C	0.063 ohms ±20%
INDUCTANCE	4-2 10kHz, 100mVAC, Ls	25.0uH ±10%
SATURATION CURRENT	20% rolloff from initial	2.5A
LEAKAGE INDUCTANCE	4-2 tie(7+8+9), 100kHz, 100mVAC, Ls	400nH typ., 800nH max.
DIELECTRIC	2500VDC, 1 second	2500VDC, 1 minute
URNS RATIO	(4-2):(7-8)	1:1, ±1%
URNS RATIO	(4-2):(8-9)	1.67:1, ±1%

GENERAL SPECIFICATIONS:

OPERATING TEMPERATURE RANGE: -40°C to +125°C including temp rise.

Wire insulation & RoHS status not affected by wire color.
Wire insulation color may vary depending on availability.

REV.	DATE	Packaging Specifications Method: Tray PKG-0118 www.we-online.com/midcom		Tolerances unless otherwise specified: Angles: ±1° Fractions: ±1/64 Decimals: ±.005 [.13] Footprint: ±.001 [.03]	DRAWING TITLE TRANSFORMER	PART NO. 750315445
6A	8/15	SEE REVISION SHEET FOR REVISION LEVEL		This drawing is dual dimensioned. Dimensions in brackets are in millimeters.	eiSos p/n: 750315445	SPECIFICATION SHEET 1 OF 1