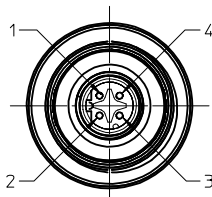
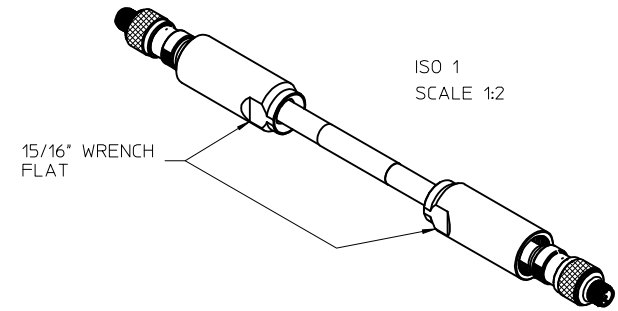
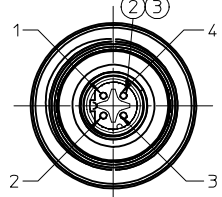
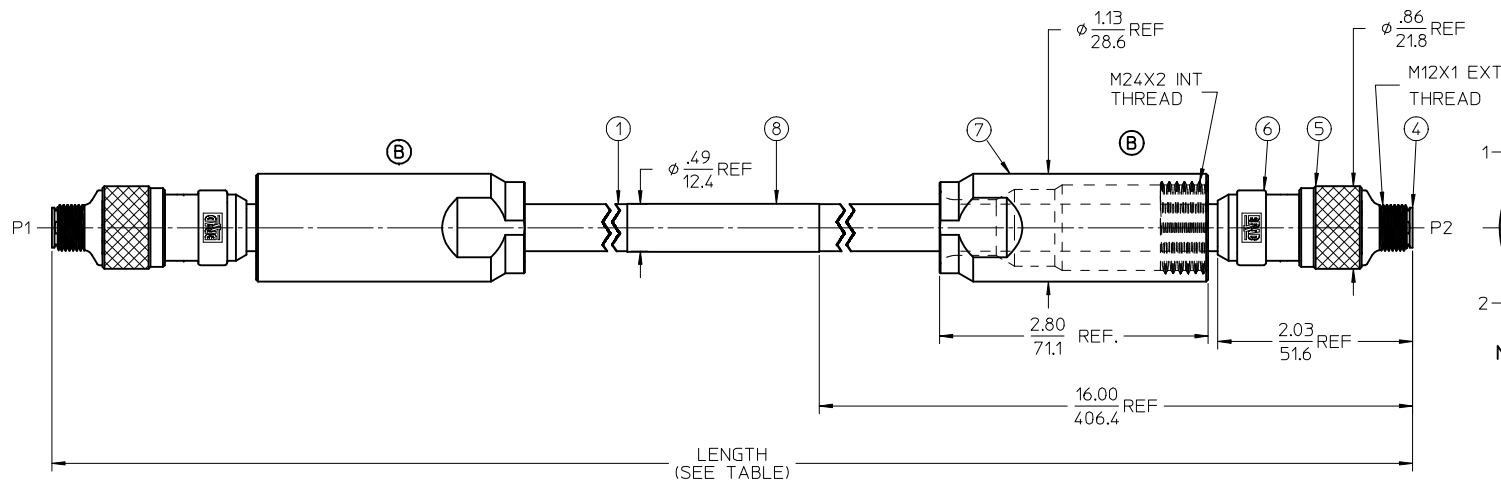


MATERIAL NO.	ENGINEERING NO.	LENGTH
1303045403	1303045403	1.0M +55.6mm -0 [3.28' +2.19' -0]
1303045404	1303045404	2.0M +88.9mm -0 [6.56' +3.50' -0]
1303045405	1303045405	3.0M +88.9mm -0 [9.84' +3.50' -0]
1303045407	1303045407	5.0M +165.1mm -0 [16.40' +6.50' -0]
1303045412	1303045412	10.0M +317.5mm -0 [32.81' +12.50' -0]

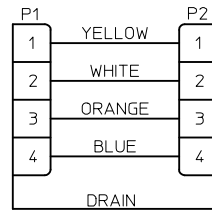


MALE FACE VIEW
SCALE 1.5:1



MALE FACE VIEW
SCALE 1.5:1

- NOTES:
1. COMPLIES WITH SAE J2839
 2. ASSEMBLY IS FULLY SHIELDED
 3. ELECTRICAL RATINGS:
VOLTAGE 30V DC
CURRENT: 1.5AMPS MAX
 4. COUPLING NUT TORQUE: HAND TIGHT
MIN SUPPORT COVER TORQUE: 20 FT-LBS
CONNECTOR TENSION BUSHING TORQUE: HAND TIGHT
 5. MATERIALS: SEE TABLE
 6. FINISHES: SEE TABLE
 7. ASSEMBLY IS RoHS COMPLIANT



COUPLER WIRING DIAGRAM
(SEE NOTE 2)

ITEM	QTY	DESCRIPTION	MATERIAL	FINISH
8	1	LABEL	VINYL	YELLOW
7	2	SUPPORT COVER	STAINLESS STEEL	PASSIVATED
6	2	OVERMOLD	PBT	GREY
5	2	MALE COUPLING NUT, M12	STAINLESS STEEL	PASSIVATED
4	2	MALE HOUSING, D-CODE	ZINC DIE-CAST	CHROME
3	2	MALE INSULATOR, 4C	PBT	BLACK
2	8	MALE CONTACT PIN, 18AWG	Cu ALLOY	GOLD PLATED
1	1	CABLE, 18AWG, 4/C, SHIELDED	XRAD XLE JACKET	SEE WIRE DIAGRAM

REPLACED 1302011447
 EC NO: IPG2016-1475
 DRAWINGGUSTAFSON 2016/05/02
 CHKD:HZIELINS 2016/05/20
 APPR: BWOODMAN 2016/05/27

QUALITY SYMBOLS ▽=0 ▽=0	GENERAL TOLERANCES (UNLESS SPECIFIED)	DIMENSION STYLE IN/MM	SCALE 1:2	DESIGN UNITS INCH	THIRD ANGLE PROJECTION	
	4 PLACES ± --- ± --- 3 PLACES ± --- ± .005 2 PLACES ± 0.13 ± .010 1 PLACE ± 0.25 ± .020	DRAWN BY LHARTMANN	DATE 2011/01/13	TITLE M12 EX 300LB CORDSET 4P M/ME ST/ST E-NET #18/4 BLACK XLPE CBL		
	ANGULAR ± 1/1°	APPROVED BY BWOODMAN	DATE 2016/05/27	MOLEX INCORPORATED		
	DRAFT WHERE APPLICABLE MUST REMAIN WITHIN DIMENSIONS	MATERIAL NO. SEE TABLE	DOCUMENT NO. SD-130304-025	SHEET NO. 1 OF 1		
		THIS DRAWING CONTAINS INFORMATION THAT IS PROPRIETARY TO MOLEX INCORPORATED AND SHOULD NOT BE USED WITHOUT WRITTEN PERMISSION				