

THIS DRAWING IS UNPUBLISHED.

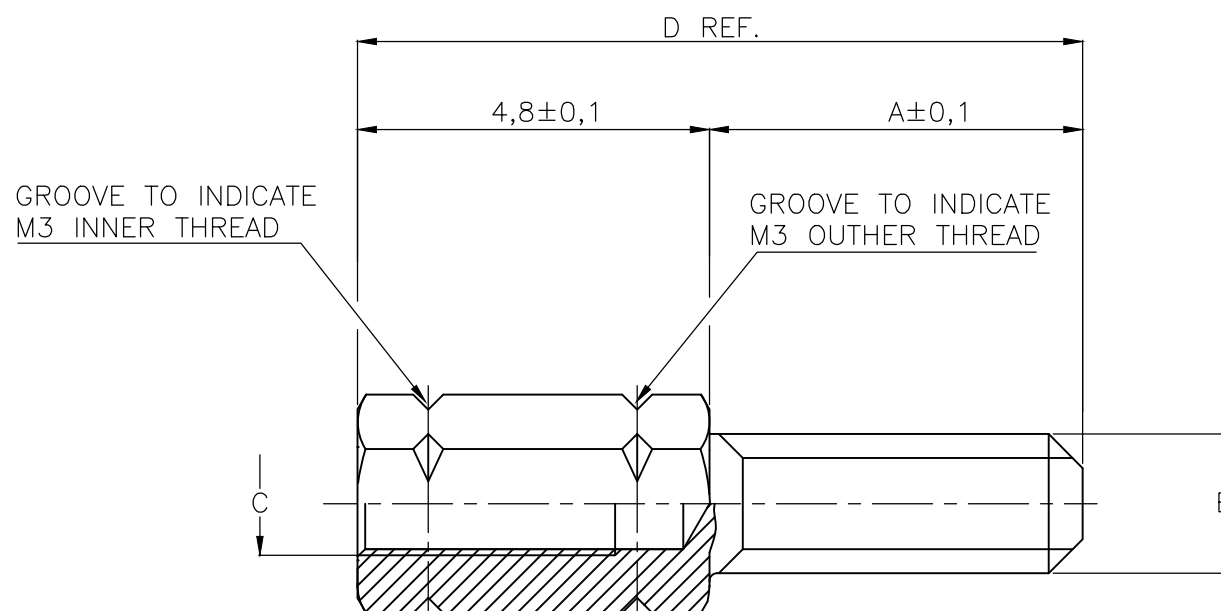
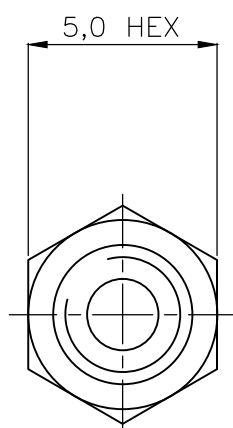
RELEASED FOR PUBLICATION

REVISIONS

© COPYRIGHT - By -

ALL RIGHTS RESERVED.

P	LTR	DESCRIPTION	DATE	DWN	APVD
	K	REVISED PER ECO-16-011204	29AUG2016	AP	DG



1	OBSOLETE	10,8	4-40 UNC	4-40 UNC	6,0	TINPLATED	BRASS	3-829261-0
1	OBSOLETE	9,8	M3	4-40 UNC	5,0			2-829261-8
			4-40 UNC	M3	5,0			2-829261-6
			M3	M3	5,0			2-829261-4
			4-40 UNC	4-40 UNC	5,0			2-829261-2
1	OBSOLETE	19,0	M3	4-40 UNC	14,2			1-829261-8
			4-40 UNC	M3	14,2			1-829261-6
			M3	M3	14,2			1-829261-4
	OBSOLETE	12,7	4-40 UNC	4-40 UNC	14,2			1-829261-2
			M3	4-40 UNC	7,9			829261-8
			4-40 UNC	M3	7,9	829261-6		
			M3	M3	7,9	829261-4		
		4-40 UNC	4-40 UNC	7,9	829261-2			
		DIM "D"	DIM "C"	DIM "B"	DIM "A"	FINISH	MATERIAL	PART NUMBER



OBSOLETE PARTS: OBSOLETE CIS STREAMLINING
PER D.RENAUD/D.SINISI

THIS DRAWING IS A CONTROLLED DOCUMENT.		DWN D.KESSLER 02APR91	TE Connectivity SCREWLOCK, FEMALE HD-SERIES			
DIMENSIONS: mm		CHK C.V.TILBURG 23APR91				
TOLERANCES UNLESS OTHERWISE SPECIFIED:		APVD L.V.SOEST 25APR91				
0 PLC ± - 1 PLC ± 0,2 2 PLC ± - 3 PLC ± - 4 PLC ± - ANGLES ± -		NAME				
MATERIAL		PRODUCT SPEC	SIZE	CAGE CODE	DRAWING NO	RESTRICTED TO
FINISH		APPLICATION SPEC	0	A300779	C-829261	-
		WEIGHT	CUSTOMER DRAWING		SCALE	SHEET
					NTS	1 OF 1
						REV K