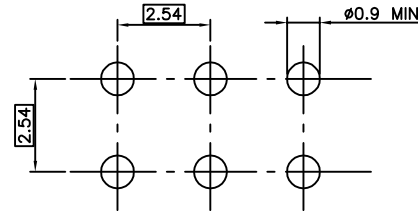


VIEW A

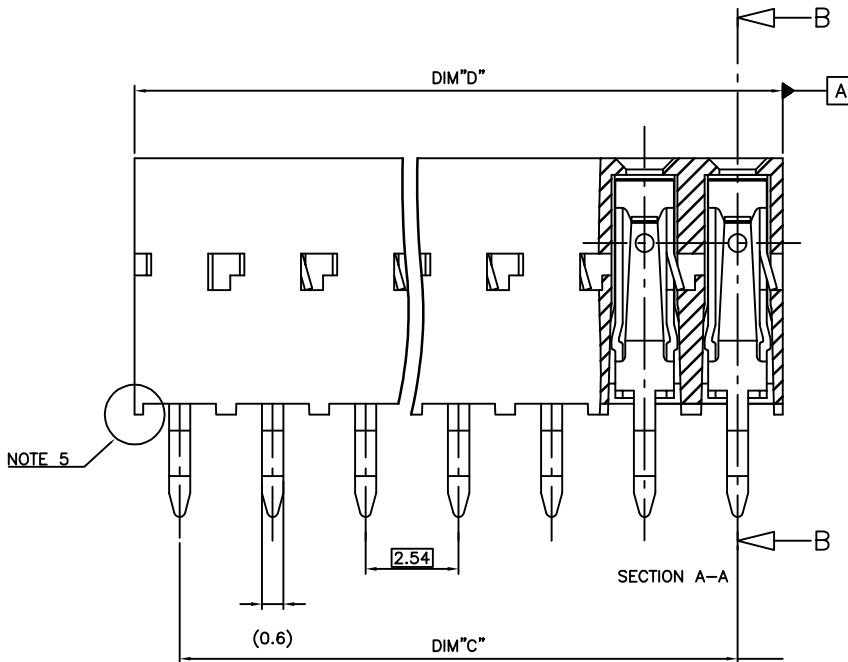


RECOMMENDED HOLE PATTERN

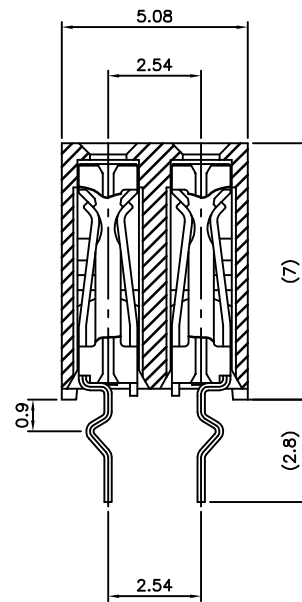
PRODUCT NUMBER	NUMBER OF POS.	DIM"C"	DIM"D"
71998-Y02(H)LF	2 x 02	2.54	5.00
71998-Y03(H)LF	2 x 03	5.08	7.54
71998-Y04(H)LF	2 x 04	7.62	10.08
71998-Y05(H)LF	2 x 05	10.16	12.62
71998-Y06(H)LF	2 x 06	12.70	15.16
71998-Y07(H)LF	2 x 07	15.24	17.70
71998-Y08(H)LF	2 x 08	17.78	20.24
71998-Y09(H)LF	2 x 09	20.32	22.78
71998-Y10(H)LF	2 x 10	22.86	25.32
71998-Y13(H)LF	2 x 13	30.48	32.94

RoHS COMPATIBLE, SEE NOTE 4

WHEN NEEDED, SUFFIX LETTER "H" INDICATES IT'S A HIGH TEMPERATURE PRODUCT SEE NOTE 2



SECTION A-A



SECTION B-B

NOTES:

- MATERIAL HOUSING: THERMOPLASTIC POLYESTER 30% GLASS FILLED COLOUR BLUE. FLAME RETARDANT PER UL-94 CATEGORY V0
- MATERIAL HOUSING: HIGH TEMPERATURE THERMOPLASTIC 30% GLASS FILLED, COLOUR GREY. FLAME RETARDANT PER UL-94 CATEGORY V0.
- MATERIAL TERMINAL: PHOSPHOR BRONZE EXTRA HARD.
- RoHS COMPATIBLE PRODUCT SPECIFICATIONS
 - PLATING:
 - "LF" MEANS THE PRODUCT IS LEAD-FREE, 2µm MINIMUM MATTE TIN OVER 1.27µm MINIMUM NICKEL UNDERPLATE.
 - MANUFACTURING PROCESS COMPATIBILITY
 - THE HOUSING WILL WITHSTAND EXPOSURE TO 260°C ±5°C SOLDER BATH TEMPERATURE FOR 5 SECONDS IN A WAVE SOLDER APPLICATION WITH A 1.6mm MIN THICK CIRCUIT BOARD.
 - LABELING:
 - MEETS PACKAGING SPECS AS PER GS-14-920
 - LEGAL STATEMENT: SEE GS-47-0004
- END STAND-OFFS FOR 2x2 UP TO 2x4 POS
NO END STAND-OFFS FOR 2x5 UP TO 2x50 POS

71998-4XX(H)LF	5µm Sn	Sn
71998-3XX(H)LF	0.76 µm GOLD	Sn
PLATING CODE	CONTACT AREA	SOLDER TAIL
	PLATING THICKNESS OVER 1.27µm Ni	

mat'l. code		surface	tolerance	projection	product family
SEE NOTES		ISO 1302	ISO 486 ISO 1101		DX VCC DR
Ltr	ecn no	dr	date	tolerances unless otherwise specified	file
J	F11-0043	JCO	12.02.22	angles	KINKED LEGS
K	B-19123	LMU	14.10.20	linear	
L	F-24429	AMA	16.07.01	±2°	
				mm	scale 10:1
					sheet 1 of 1 size
					dwg no 71998 A2
					type CUSTOMER Drawing
sheet	revision	dr	engr	date	
index	sheet	index	sheet	date	