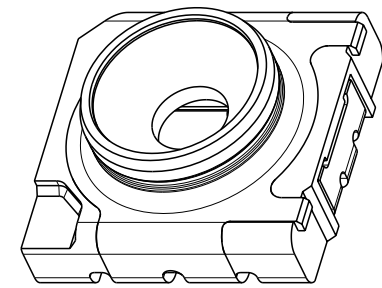


THIS DRAWING IS UNPUBLISHED. RELEASED FOR PUBLICATION  
 © COPYRIGHT - BY - ALL RIGHTS RESERVED.

LOC	DIST	REVISIONS					
H	-	P	LTR	DESCRIPTION	DATE	DWN	APVD
			A3	ECR-12-006671	11APR2012	JvH	DH
			A4	ECR-12-011017	14JUN2012	JvH	DH
			A5	ECR-12-014442	13AUG2012	JHA	DH
			A6	ECR-13-005766	03APR2013	RK	WJ

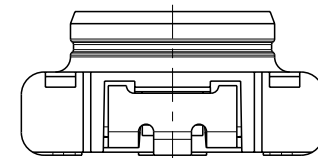
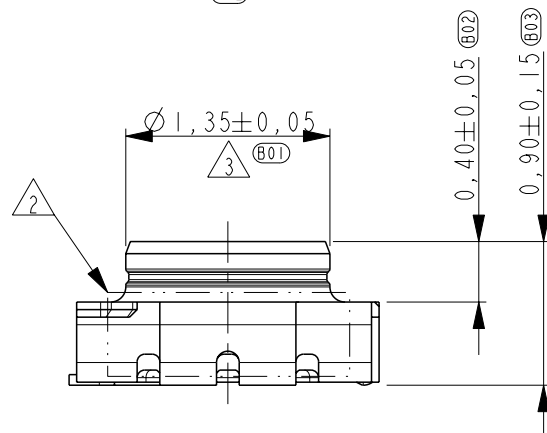
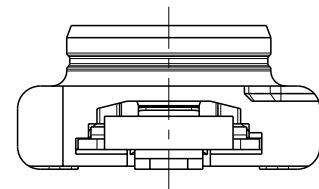
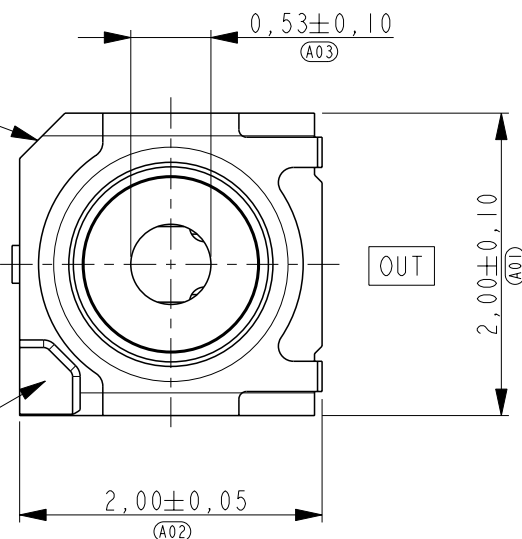


ORIENTATION FEATURE

IN

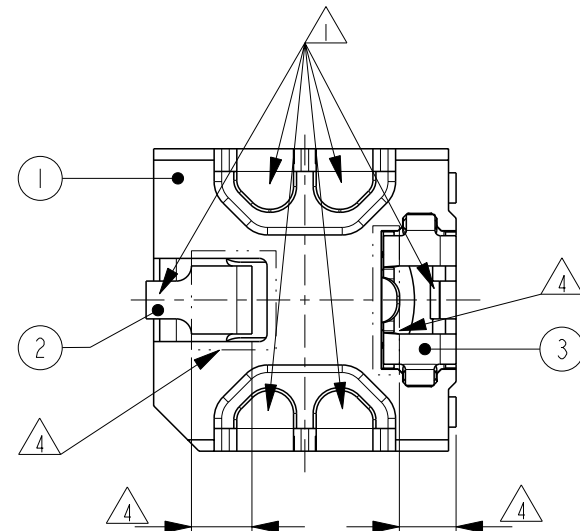
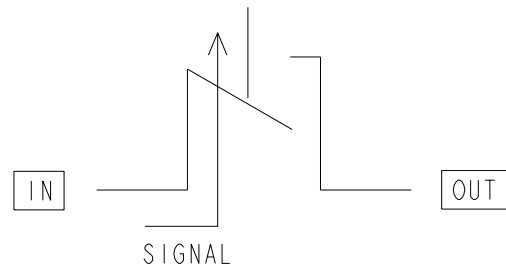
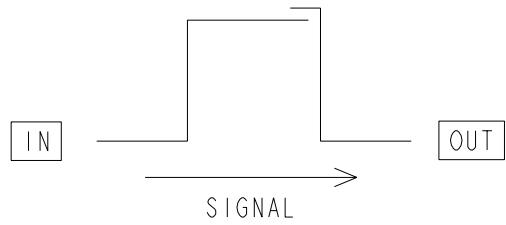
OUT

INJECTOR GATE LOCATION



NOTES:

- 1 COPLANARITY OF SOLDER SURFACES 0,08 MAX.
- 2 MAX FLASH ALLOWED IN THIS AREA (TWO SIDES) 0,08mm.
- 3 DIMENSIONS FOLLOW REQUIREMENTS FOR MATING TO:  
 MASS PRODUCTION PROBE 619361-1.  
 HAND PROBE 619384-1.
- 4 SOLDER BARRIER AREA; Ni PLATING ON CONTACTS.



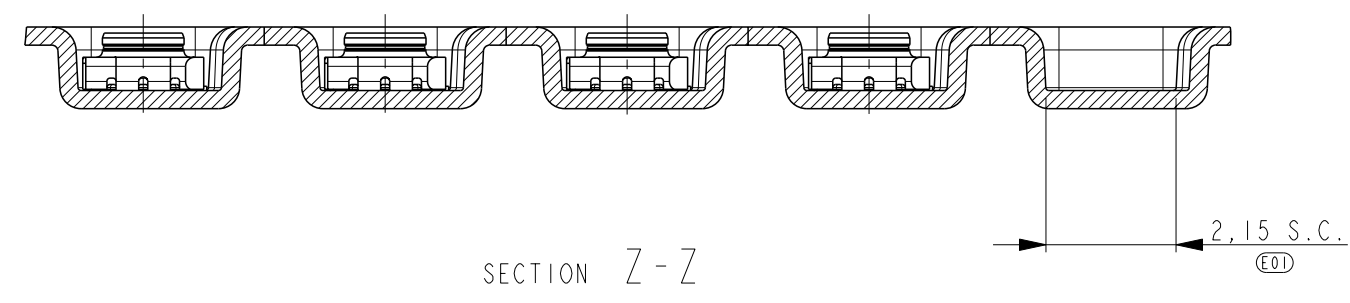
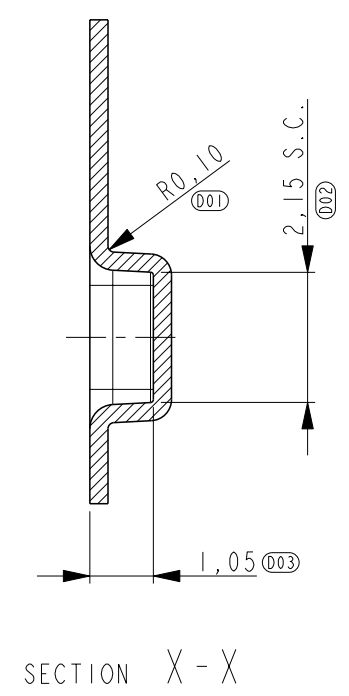
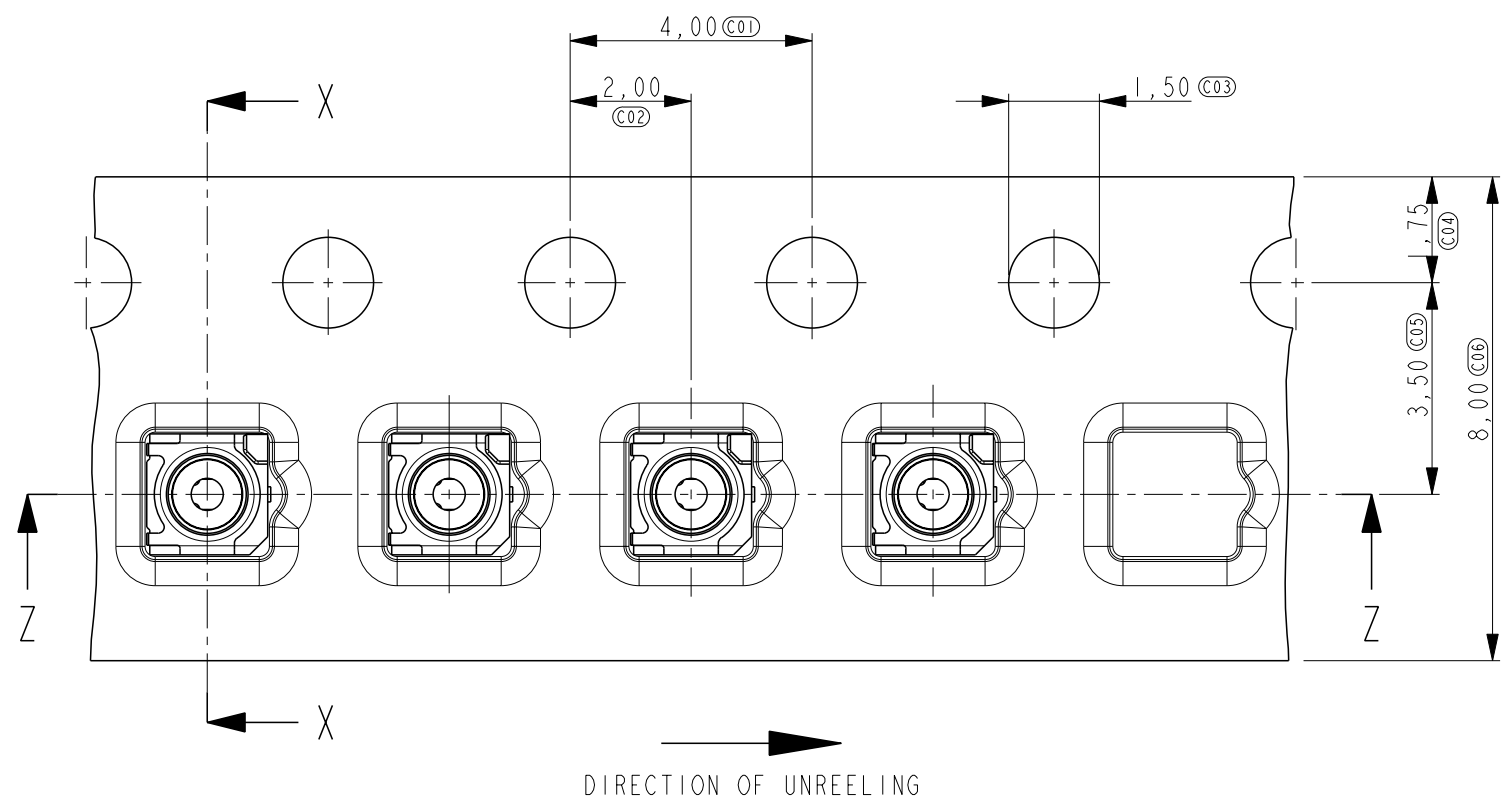
1551372-1 AS SHOWN.

ITEM NO.	DESCRIPTION	MATERIAL	FINISH
3	CONTACT CLIP	COPPER ALLOY	0,1 µm GOLD
2	CONTACT SPRING	COPPER ALLOY	0,1 µm GOLD
1	SHIELD OVERMOULD	LCP, 30%GF / COPPER ALLOY	1,2 µm NICKEL

THIS DRAWING IS A CONTROLLED DOCUMENT.		DWN 07 SEP 2009 J. Haans				
DIMENSIONS: mm		CHK 07 SEP 2009 J. Dittner				
TOLERANCES UNLESS OTHERWISE SPECIFIED:		APVD 08 SEP 2009 D. Halberstadt				
0 PLC ±- 1 PLC ±- 2 PLC ±- 3 PLC ±- 4 PLC ±- ANGLES ±- FINISH ±-		NAME RF SWITCH				
MATERIAL SEE TABLE	SEE TABLE	PRODUCT SPEC 108-19355	SIZE A3	CAGE CODE 00779	DRAWING NO C-1551372	RESTRICTED TO -
		WEIGHT 0,007 gr	SCALE 3:10		SHEET 1 OF 3	REV A6

THIS DRAWING IS UNPUBLISHED. RELEASED FOR PUBLICATION  
 © COPYRIGHT - BY - ALL RIGHTS RESERVED.

LOC	DIST	REVISIONS					
H	-	P	LTR	DESCRIPTION	DATE	DWN	APVD
			-	SEE SHEET 1	-	-	-



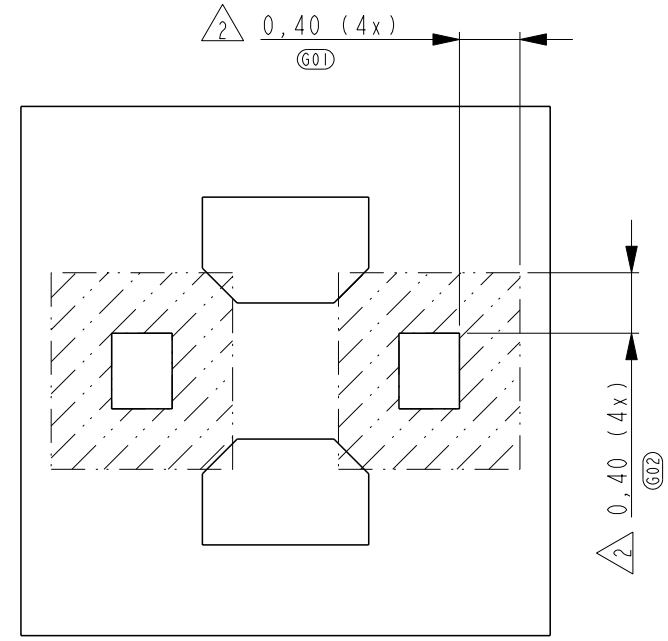
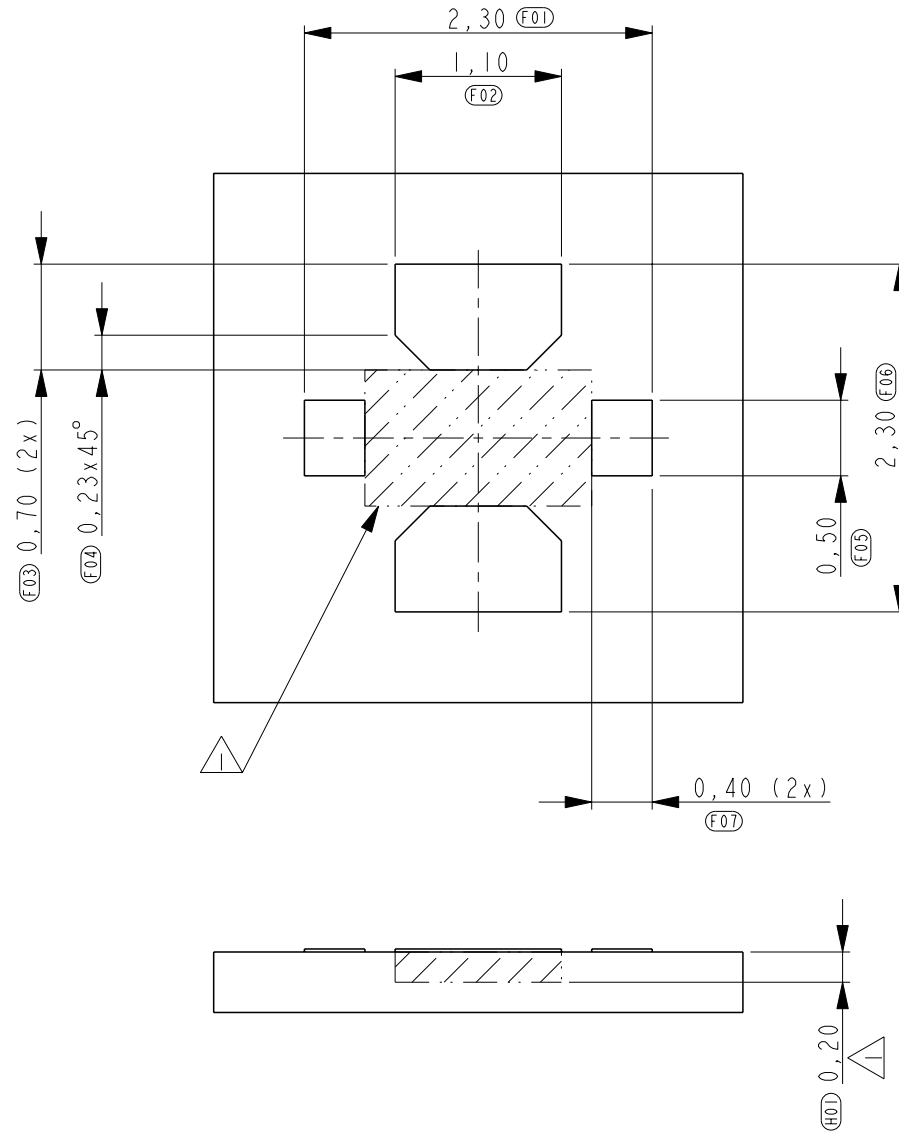
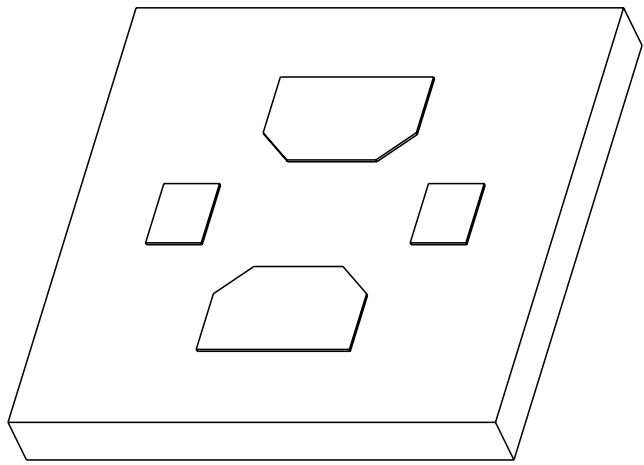
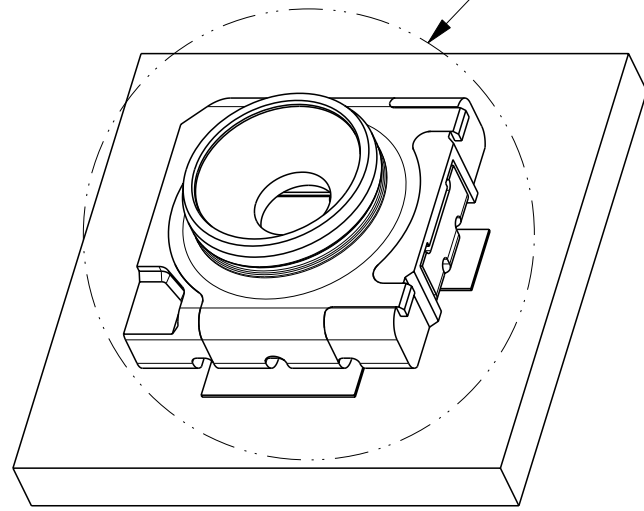
- NOTES:
- 1 MATERIAL: PS 0,3 mm. COLOR CLEAR.
  - 2 ALL INSIDE RADII 0,2 MAX, UNLESS OTHERWISE SPECIFIED.
  - 3 ACCORDING EIA-481.0-B.
  - 4 MAXIMUM CAMBER 1mm / 250mm.
  - 5 REEL DIAM 330mm. 10000 PIECES/REEL

THIS DRAWING IS A CONTROLLED DOCUMENT.		DWN	07 SEP 2009			NAME	RF SWITCH					
DIMENSIONS: mm		CHK	07 SEP 2009				PRODUCT SPEC	SIZE	CAGE CODE	DRAWING NO	RESTRICTED TO	
TOLERANCES UNLESS OTHERWISE SPECIFIED:		APVD	08 SEP 2009									108-19355
0 PLC ±- 1 PLC ±- 2 PLC ±- 3 PLC ±- 4 PLC ±- ANGLES ±- FINISH ±-		D. Halberstadt		114-19113								
MATERIAL SEE TABLE		WEIGHT		0,007 gr	A3	00779	C=1551372					
Customer Drawing					SCALE	3:10	SHEET	2 OF 3	REV	A6		

THIS DRAWING IS UNPUBLISHED. RELEASED FOR PUBLICATION  
 © COPYRIGHT - BY - ALL RIGHTS RESERVED.

LOC	DIST	REVISIONS					
H	-	P	LTR	DESCRIPTION	DATE	DWN	APVD
			-	SEE SHEET 1	-	-	-

KEEP AREA FREE FROM DUST PARTICLES AS RESULT OF BOARD CUTTING ETC.



- 1 NO COPPER PERMITTED UNDER THE SWITCH AT SPECIFIED DIMENSION. WHEN DEVIATED FROM DIMENSION: SIGNAL AND GROUND CONNECTIONS MUST BE DESIGNED TO MATCH THE 50 OHM IMPEDANCE.
- 2 NO OTHER SIGNAL OR GROUND PATTERN ALLOWED WITHIN SPECIFIED AREA.

RECOMMENDED PCB LAYOUT

THIS DRAWING IS A CONTROLLED DOCUMENT.		DWN 07 SEP 2009 J. Haans			
DIMENSIONS: mm		CHK 07 SEP 2009 J. Dittner			
TOLERANCES UNLESS OTHERWISE SPECIFIED:		APVD 08 SEP 2009 D. Halberstadt	NAME RF SWITCH		
0 PLC ±- 1 PLC ±- 2 PLC ±- 3 PLC ±- 4 PLC ±- ANGLES ±- FINISH SEE TABLE		PRODUCT SPEC 108-19355	RESTRICTED TO		
MATERIAL SEE TABLE		APPLICATION SPEC 114-19113	SIZE A3	CAGE CODE 00779	DRAWING NO C-1551372
		WEIGHT 0,007 gr	SCALE 3:10		SHEET 3 OF 3
		Customer Drawing	REV A6		