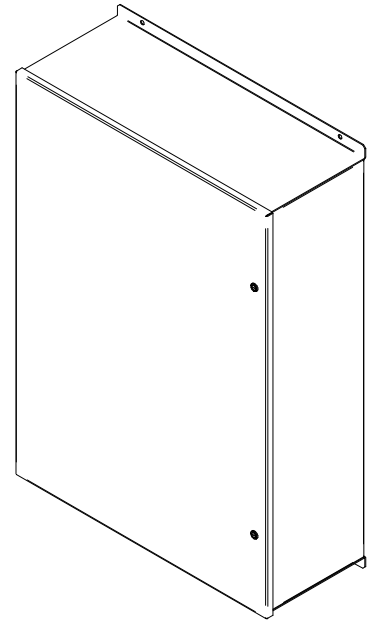




PART No. 1420R12

for more information visit
www.hamfmg.com

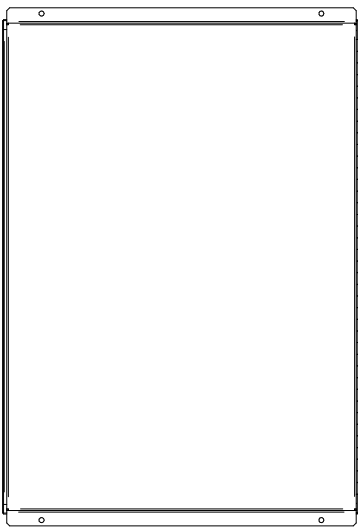
Data subject to change without notice
Isometric drawing Not to Scale



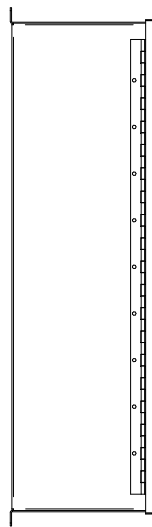
ISOMETRIC VIEW



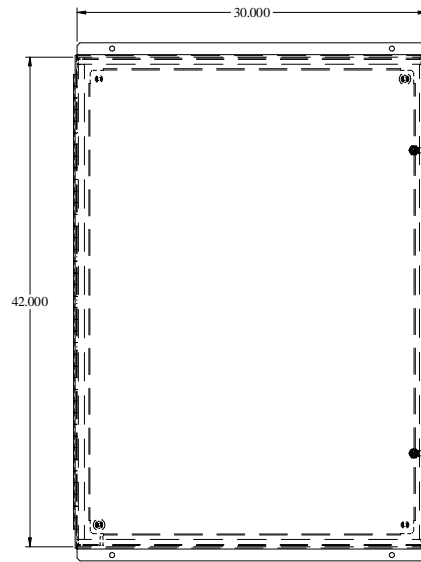
TOP VIEW



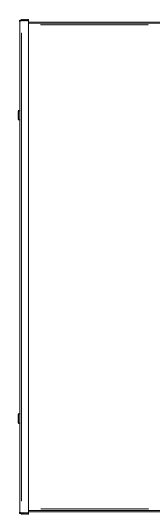
BACK VIEW



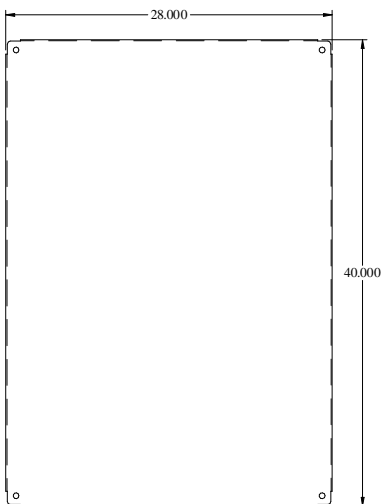
SIDE VIEW



FRONT VIEW



SIDE VIEW



INNER PANEL



BOTTOM VIEW