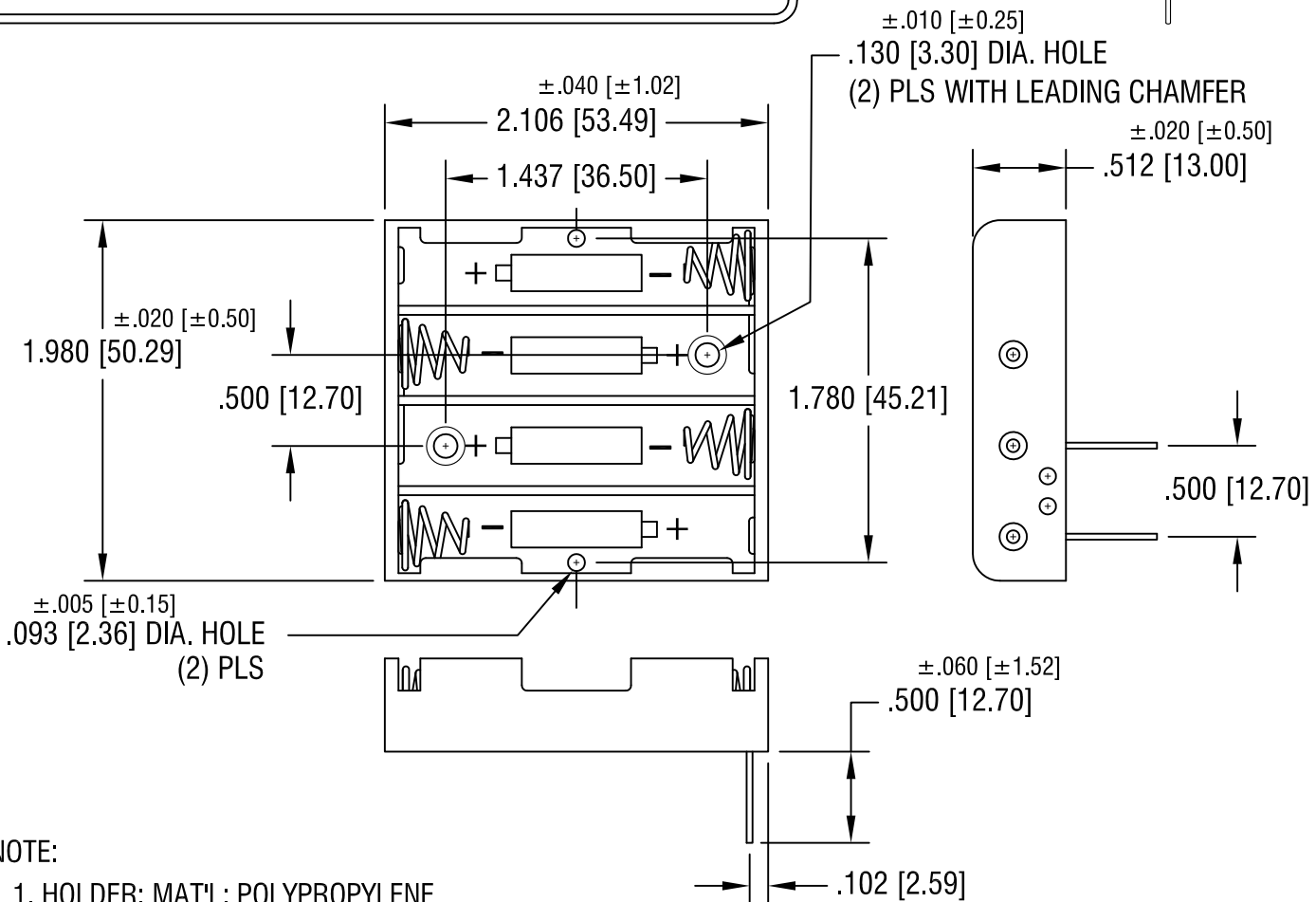
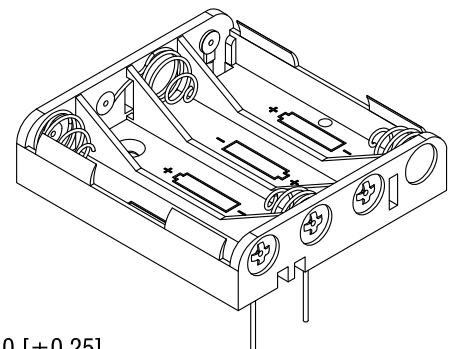
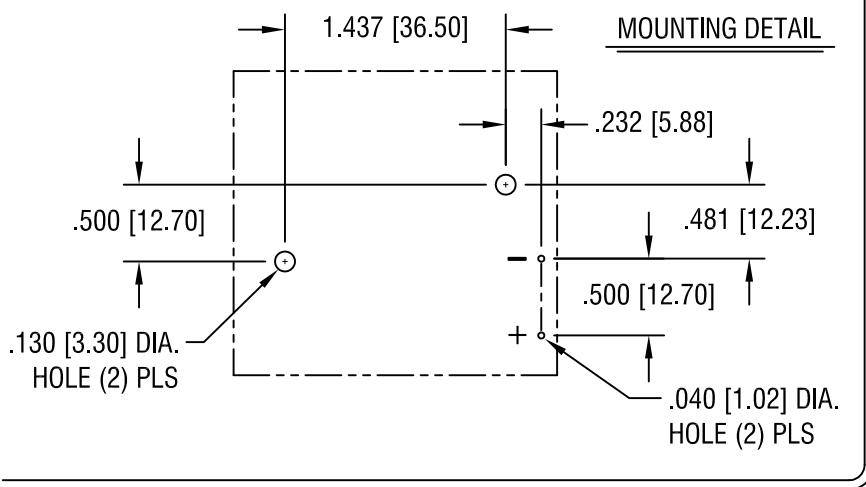


THIS DOCUMENT IS THE PROPERTY OF KEYSTONE ELECTRONICS CORP. AND SHALL NOT BE REPRODUCED, DISTRIBUTED OR USED AS A BASIS FOR MANUFACTURE WITHOUT PRIOR WRITTEN PERMISSION FROM KEYSTONE ELECTRONICS CORP.



NOTE:  
 1. HOLDER: MAT'L: POLYPROPYLENE  
 SPRING: MAT'L: MUSIC WIRE, .024 [0.60] DIA.  
 PC TERMINALS: MAT'L: BRASS, .032 [0.81] DIA.

<b>KEYSTONE ELECTRONICS CORP.</b>			
ASTORIA, N.Y. 11105-2017			
PART NAME		PC BATTERY HOLDER (4) 'AAA'	
MATERIAL		AS NOTED	
FINISH	NICKEL PLATE	DRN BY	BOONE
		DATE	6.9.99
		APP'D	LN
		SCALE	1X
TOLERANCES	INCH [MM]	CODE	DWG NO.
DECIMAL	± .015 [± 0.38]	C/M	<b>2481</b>
ANGULAR	± 1°	UNLESS OTHERWISE SPECIFIED	

6.12.09	CHANGE AS PER ECN 09-067	C
1.16.07	CHANGE AS PER ECN 07-003	B
11.15.99	CHANGE AS PER ECN 99-087	A
DATE	DESCRIPTION	REV.