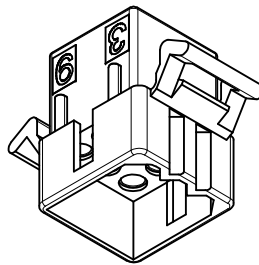
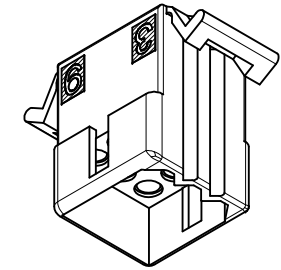
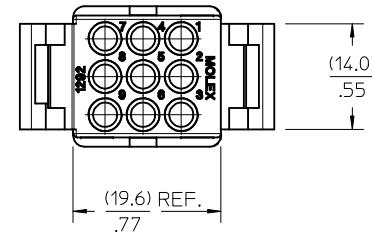


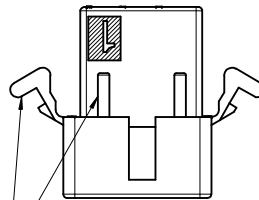
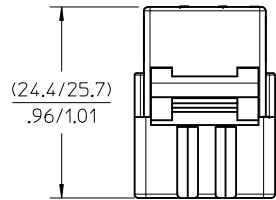
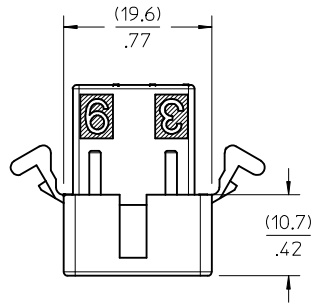
PLUG  
1292-P1 SHOWN



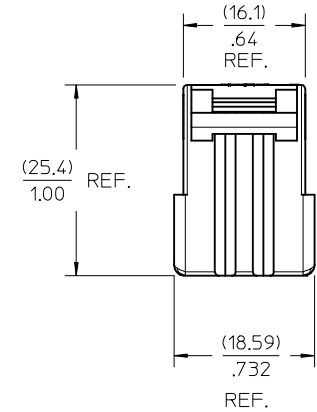
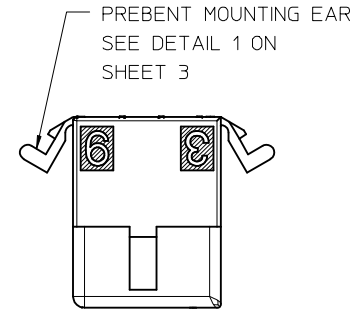
PLUG  
1292-P2 SHOWN (WITH  
RIBS & PREBENT EARS)



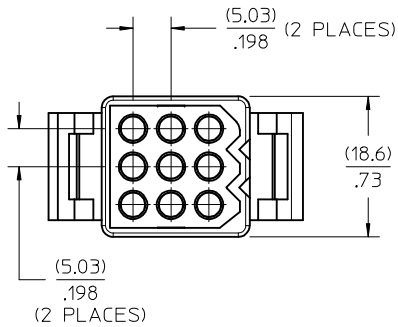
PLUG  
1292-P SHOWN  
(WITH BOTTOM MOUNT PREBENT EARS)



MOUNTING EARS AND  
RIBS OPTION (SEE DETAIL 1 & NOTE 6  
ON SHEET 3)



BOTTOM MOUNT PREBENT EAR OPTION

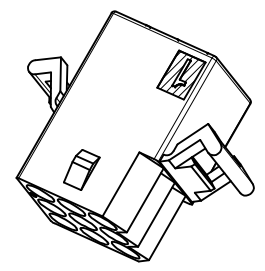
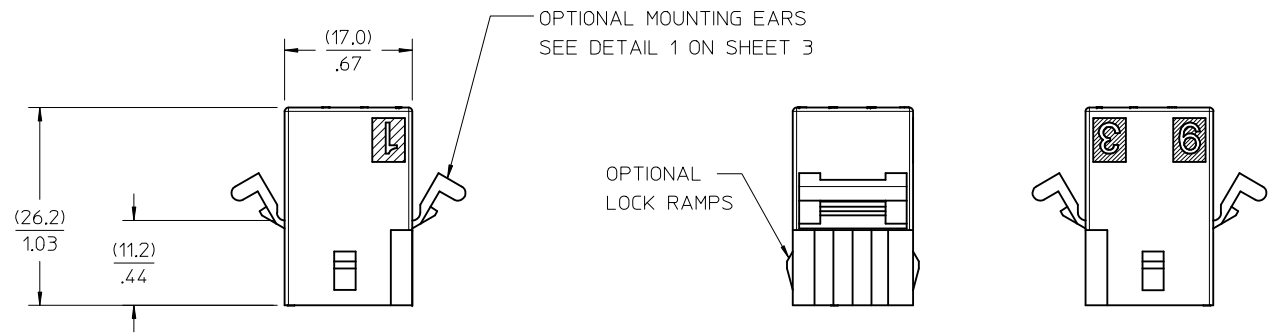
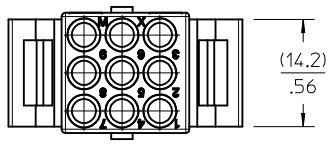


|  |                 |                                       |                     |   |              |                        |
|--|-----------------|---------------------------------------|---------------------|---|--------------|------------------------|
| ADD SHEETS 2-3<br>EC NO: UCP2014-3075<br>DRW:WKIPPER 2014/01/27<br>CHKD:JBELL 2014/01/27<br>APPR:FSMITH 2014/02/14 | QUALITY SYMBOLS | GENERAL TOLERANCES (UNLESS SPECIFIED) | DIMENSION STYLE     | SCALE   | DESIGN UNITS | THIRD ANGLE PROJECTION |
|  | DESCRIPTION     | mm INCH                               | MM/IN               | 2:1   | INCH         |                        |
| REV  |                 | 4 PLACES ± .010                       | DRAWN BY DATE       | TITLE<br>.093/(2.36) HOUSING,<br>PLUG 9 CKT.<br>.198/(5.03) CTRS  |              |                        |
|  |                 | 3 PLACES ± .014                       | CSTEWART 2011/07/21 |   |              |                        |
|  |                 | 2 PLACES ± 0.25                       | CHECKED BY DATE     | MATERIAL NO. DOCUMENT NO.   |              |                        |
|  |                 | 1 PLACE ± 0.35                        | APPROVED BY DATE    |   |              |                        |
|  |                 | ANGULAR ± 1/2°                        | FSMITH 2011/09/12   | MOLEX INCORPORATED<br>SD-1292-0001  |              |                        |
|  |                 |                                       |                     |   |              |                        |
|  |                 |                                       | SEE CHART           | SHEET NO.<br>1 OF 3   |              |                        |
|  |                 |                                       |                     |   |              |                        |
|  |                 |                                       |                     | THIS DRAWING CONTAINS INFORMATION THAT IS PROPRIETARY TO MOLEX INCORPORATED AND SHOULD NOT BE USED WITHOUT WRITTEN PERMISSION |              |                        |
|  |                 |                                       |                     |   |              |                        |

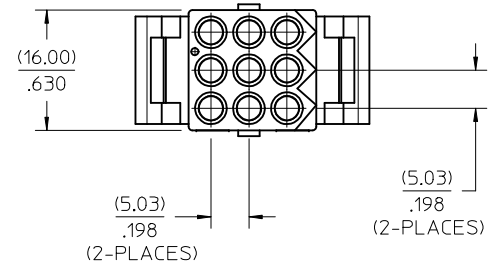
DRAFT WHERE APPLICABLE  
MUST REMAIN  
WITHIN DIMENSIONS

SIZE  
C

MOLEX INCORPORATED  
SD-1292-0001  
SHEET NO.  
1 OF 3



**RECEPTACLE**  
1292-R SHOWN  
(WITH PREBENT MOUNTING EARS & LOCK RAMPS)



|  |  |   |   |  |  |                           |                                       |  |                     |
|--|--|---|---|--|--|---------------------------|---------------------------------------|--|---------------------|
| SEE SHEET 1<br>EC NO: UCP2014-3075<br>DRWN:KIPPER 2014/01/27<br>CHKD:JBELL 2014/01/27<br>APPR:FSMITH 2014/02/14<br>W | QUALITY SYMBOLS<br>▽=0<br>▽=0<br>▽=0                 | GENERAL TOLERANCES (UNLESS SPECIFIED)<br>mm INCH<br>4 PLACES ± --- ± .010<br>3 PLACES ± --- ± .014<br>2 PLACES ± 0.25 ± ---<br>1 PLACE ± 0.35 ± ---<br>ANGULAR ± 1/2° | DIMENSION STYLE<br>MM/IN<br>DRAWN BY DATE<br>C STEWART 2011/07/21<br>CHECKED BY DATE  | SCALE<br>2:1<br>DESIGN UNITS<br>INCH<br>THIRD ANGLE PROJECTION | TITLE<br>.093/(2.36) HOUSING,<br>PLUG 9 CKT.<br>.198/(5.03) CTRS | MATERIAL NO.<br>SEE CHART | APPROVED BY DATE<br>FSMITH 2011/09/12 | MOLEX INCORPORATED<br>DOCUMENT NO.<br>SD-1292-0001 | SHEET NO.<br>2 OF 3 |
|  | DRAFT WHERE APPLICABLE MUST REMAIN WITHIN DIMENSIONS |   | THIS DRAWING CONTAINS INFORMATION THAT IS PROPRIETARY TO MOLEX INCORPORATED AND SHOULD NOT BE USED WITHOUT WRITTEN PERMISSION |  |  |                           |                                       |  |                     |
|  |  |   |   |  |  |                           |                                       |  |                     |
|  |  |   |   |  |  |                           |                                       |  |                     |

| PLUG       |           |
|------------|-----------|
| PART NO.   | ENG. NO.  |
| 03-09-2091 | 1292-P    |
| 03-09-2092 | 1292-P1   |
| 03-09-7091 | 1292-PBK  |
| 03-09-7092 | 1292-P1BK |
| NOT TOOLED | 1292-P2   |
| 27-09-2092 | 1292-P1-A |
|            |           |
|            |           |

| RECEPTACLE |           |
|------------|-----------|
| PART NO.   | ENG. NO.  |
| 03-09-1091 | 1292-R    |
| 03-09-1092 | 1292-R1   |
| 03-09-6091 | 1292-RBK  |
| 03-09-6092 | 1292-R1BK |
| 03-09-1093 | 1292-R2   |
| 03-09-6093 | 1292-R2BK |
| 03-09-1094 | 1292-R3   |
| 03-09-6094 | 1292-R3BK |
|            |           |
| 27-09-1093 | 1292-R2-A |

**LEGEND: PLUG**

1292-P \* \* \* \* \*

P = PLUG

BLANK = WITH PREBENT BOTTOM MOUNT EARS

1 = WITHOUT EARS

2 = PLUG WITH PREBENT EARS & RIBS

COLOR: BLANK=NATURAL COLOR

AM=AMBER BK=BLACK BU=BLUE

BN=BROWN GY=GRAY GN=GREEN

OR=ORANGE RD=RED YW=YELLOW

MATERIAL: BLANK = NYLON 6/6, U.L. 94V-2

A = NYLON 6/6, U.L. 94V-0

**LEGEND: RECEPTACLE**

1292-R \* \* \* \* \*

R = RECEPTACLE

BLANK = WITH PREBENT EARS, WITH LOCK RAMP

1 = WITH PREBENT EARS, WITHOUT LOCK RAMP

2 = WITHOUT EARS, WITHOUT LOCK RAMP

3 = WITHOUT EARS, WITH LOCK RAMP

COLOR: BLANK=NATURAL COLOR

AM=AMBER BK=BLACK BU=BLUE

BN=BROWN GY=GRAY GN=GREEN

OR=ORANGE RD=RED YW=YELLOW

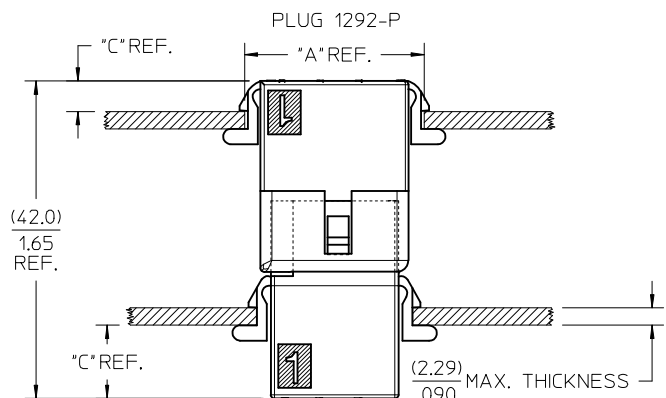
MATERIAL: BLANK = NYLON 6/6, U.L. 94V-2

A = NYLON 6/6, U.L. 94V-0

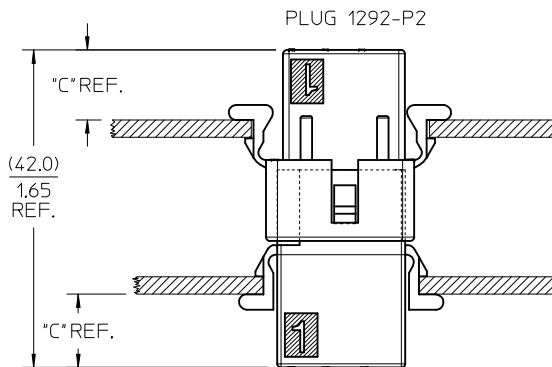
**NOTES:**

1. MATERIAL: SEE LEGEND
2. FINISH: N/A
3. THESE PARTS COMPLY WITH MOLEX PRODUCT SPEC. PS-02-09.
4. PACKAGING: PK-1292-001
5. HOUSINGS FOR USE WITH MOLEX .093/(2.36) PIN AND SOCKET TERMINALS.
6. RIBS ARE PRESENT ONLY ON PLUG 1292-P2.

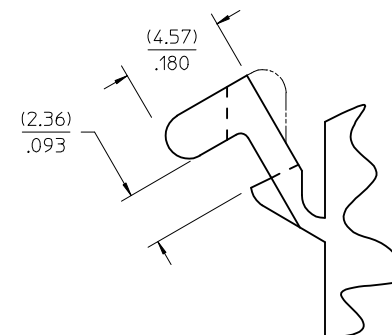
| HOUSING           | DIM. "A"     | DIM. "B"     | DIM. "C"   |
|-------------------|--------------|--------------|------------|
| STD. PLUG         | (23.62)/.930 | (19.30)/.760 | (9.9)/.39  |
| BOTTOM MOUNT PLUG | (23.80)/.937 | (16.76)/.660 | (4.1)/.16  |
| RECEPTACLE        | (21.03)/.828 | (18.42)/.725 | (10.4)/.41 |



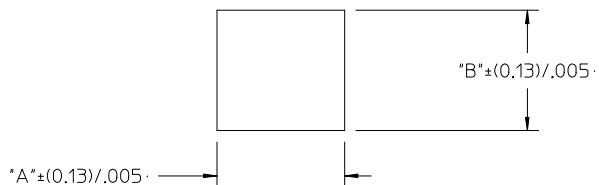
RECEPTACLE 1292-R



RECEPTACLE 1292-R



DETAIL 1  
.093/(2.36) PREBENT MOUNTING EAR



DETAIL 2  
PANEL CUTOUT VIEW

|  |                                      |   |                      |                                  |                    |   |                             |                        |
|--|--------------------------------------|---|----------------------|----------------------------------|--------------------|---|-----------------------------|------------------------|
| <b>SEE SHEET 1</b><br>EC NO: UCP2014-3075<br>DRW:WKIPPER 2014/01/27<br>CHKD:JBELL 2014/01/27<br>APPR:FSMITH 2014/02/14 | QUALITY SYMBOLS<br>▽=0<br>▽=0<br>▽=0 | GENERAL TOLERANCES (UNLESS SPECIFIED)   |                      | DIMENSION STYLE<br><b>MM/IN</b>  |                    | SCALE<br><b>2:1</b>   | DESIGN UNITS<br><b>INCH</b> | THIRD ANGLE PROJECTION |
|  |                                      | 4 PLACES ± --- ±.010  | 3 PLACES ± --- ±.014 | DRAWN BY<br>C STEWART            | DATE<br>2011/07/21 | TITLE<br><b>.093/(2.36) HOUSING, PLUG 9 CKT. .198/(5.03) CTRS</b> |                             |                        |
|  |                                      | 2 PLACES ± 0.25 ± ---   | 1 PLACE ± 0.35 ± --- | APPROVED BY<br>FSMITH            | DATE<br>2011/09/12 | <b>molex</b>  |                             |                        |
|  |                                      | 0 PLACE ± ±   | ANGULAR ±1/2°        | MATERIAL NO.<br><b>SEE CHART</b> |                    | DOCUMENT NO.<br><b>SD-1292-0001</b>                               | SHEET NO.<br><b>3 OF 3</b>  |                        |
| DRAFT WHERE APPLICABLE MUST REMAIN WITHIN DIMENSIONS   |                                      | THIS DRAWING CONTAINS INFORMATION THAT IS PROPRIETARY TO MOLEX INCORPORATED AND SHOULD NOT BE USED WITHOUT WRITTEN PERMISSION |                      |                                  |                    |   |                             |                        |