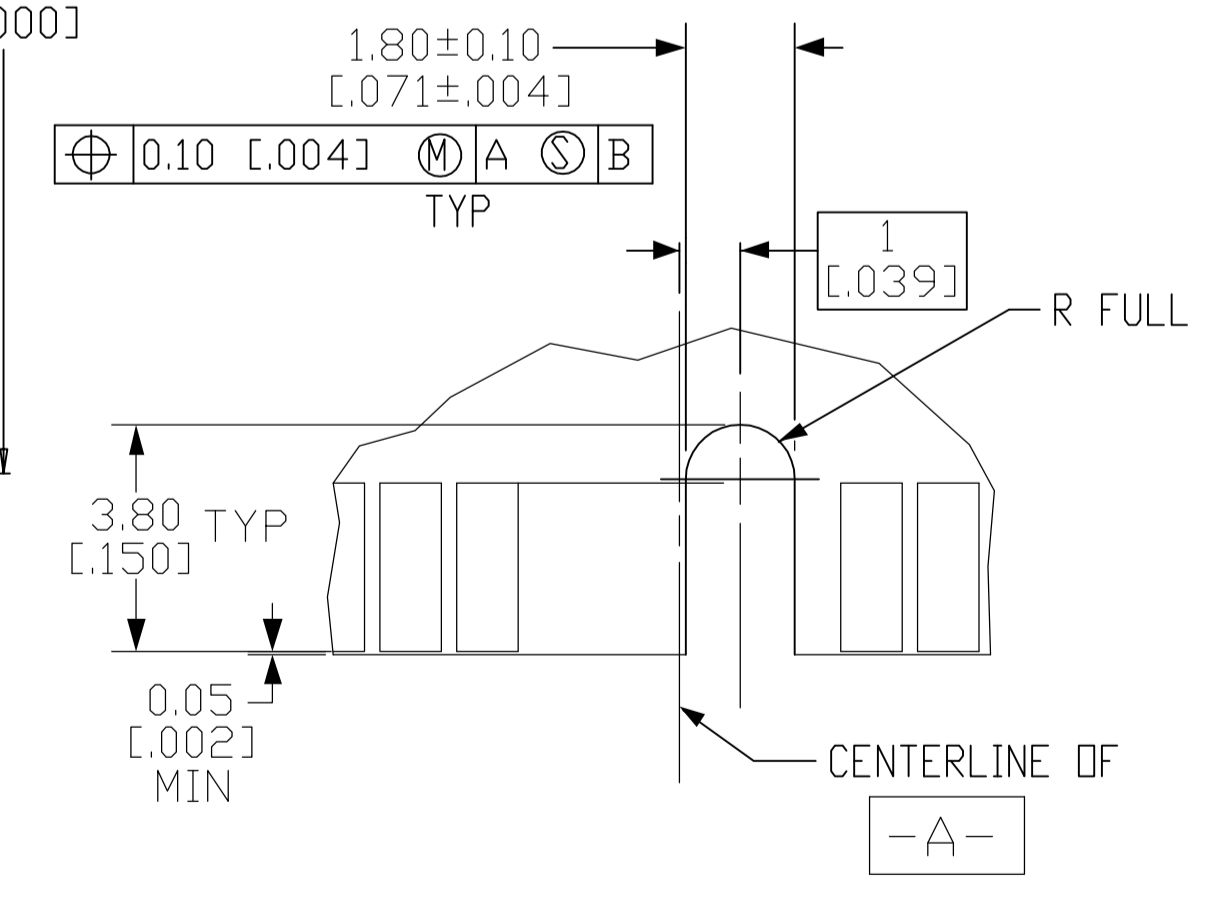
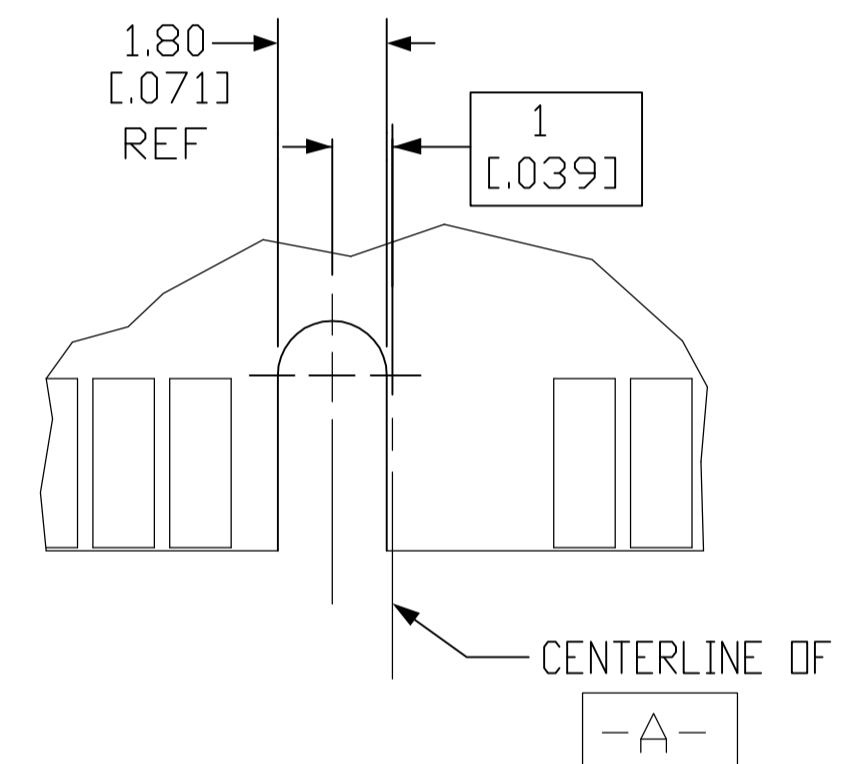
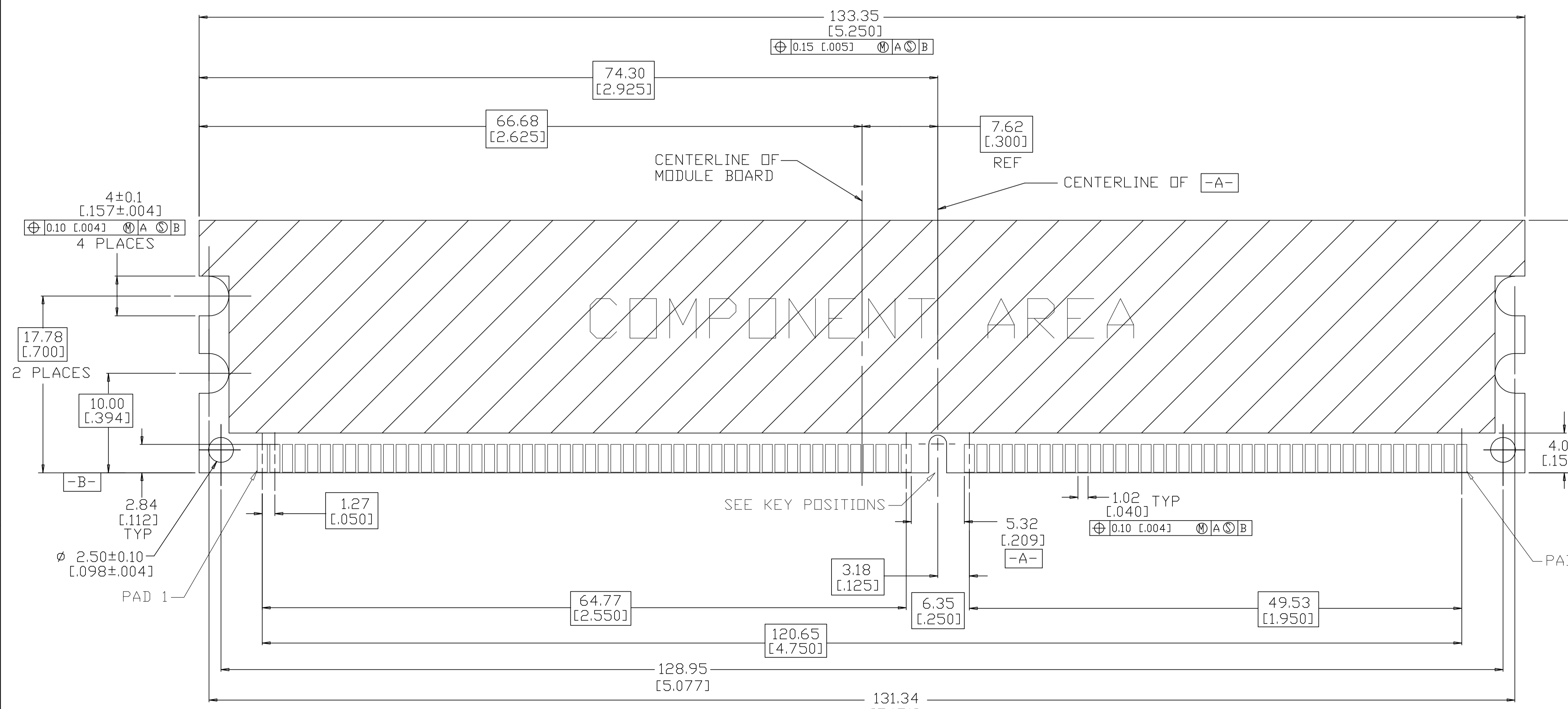
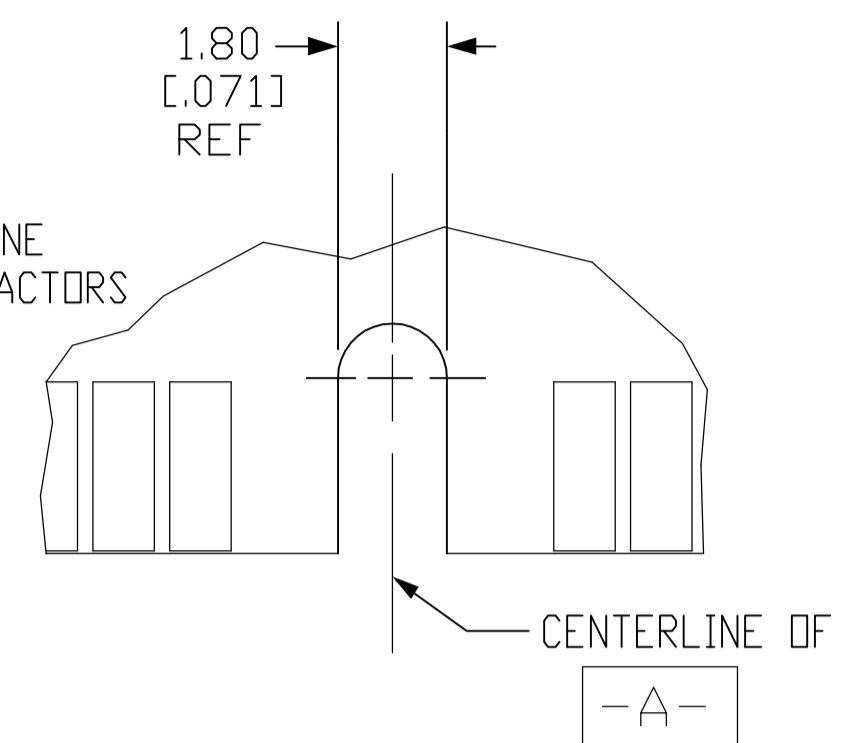
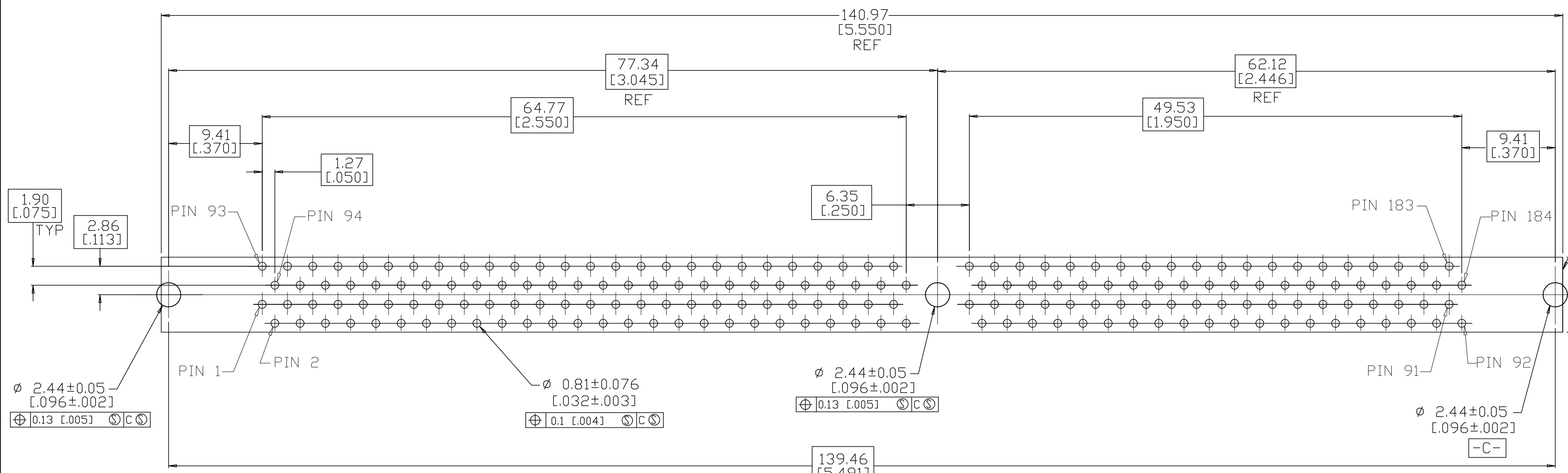


- ▲ MATERIAL HOUSING AND EXTRACTORS: GLASS FILLED HIGH TEMPERATURE NYLON. CONTACT: PHOS. BRONZE, CS1100, TEMPER H06. RETENTION POST: STAINLESS STEEL, AMP 100-309.
- ▲ FINISH CONTACT: NICKEL PLATE ALL OVER 0.00127-0.0019 [0.000050-0.000075] THICK PER AMP SPEC 112-25-2. GOLD PLATE IN INTERFACE AREA 0.00038 [0.000015] MIN THICK PER AMP SPEC 112-162-5. TIN LEAD PLATE IN SOLDER TAIL AREA .00381-.00635 [0.00150-.000250] THICK PER AMP SPEC 112-26-2.
- ▲ PART NUMBER WILL NOT HAVE METAL RETENTION POSTS.
- ▲ EXTRACTOR MATERIAL: POLYSULFONE, COLOR-AMBER, CLEAR.
- ▲ GOLD PLATE IN INTERFACE AREA 0.000076 [0.000003] MIN THICK PER AMP SPEC 112-162-5. NICKEL AND TIN LEAD PLATING SPECIFICATIONS WILL BE THE SAME AS NOTE 2.
- ▲ RETENTION POST: BRASS
- ▲ RETENTION POST WILL BE MADE FROM 1/4 HARD STAINLESS STEEL PER AMP 100-309.
- ▲ EXTRACTOR MATERIAL: GLASS-FILLED HIGH TEMPERATURE NYLON, COLOR-BLACK.
- ▲ GOLD PLATE IN INTERFACE AREA 0.000076 [0.000003] MIN THICK PER AMP SPEC 112-162-5 OVER 0.00254 [0.000100] MIN THICK NICKEL PER AMP SPEC 112-25-3.
- ▲ GOLD PLATE IN INTERFACE AREA 0.00038 [0.000015] MIN THICK PER AMP SPEC 112-162-5 OVER 0.00254 [0.000100] MIN THICK NICKEL PER AMP SPEC 112-25-3. MATTE TIN IN SOLDER TAIL AREA .00381-.00635 [0.00150-.000250] THICK PER AMP SPEC 112-65-1 OVER 0.00127-.00510 [0.000050-.000200] THICK NICKEL PER AMP SPEC 112-25-3.
- ▲ PRELIMINARY - NOT RELEASED FOR PRODUCTION

	1.07 [0.042]	3.81 [0.150]	DETAIL B	184 POSN. DIMM2P, 2.5V, POST-PLATE CONTACTS	8-390241-2		
	1.07 [0.042]	3.81 [0.150]	DETAIL B	184 POSN. DIMM2P, 2.5V, POST-PLATED CONTACTS	8-390241-1		
SUPERSEDED BY 5390241-9	1.07 [0.042]	2.79 [0.110]	DETAIL B	184 POSN. DIMM2P, 2.5V, PRE-PLATED CONTACTS	7-390241-1		
	1.07 [0.042]	4.26 [0.168]	DETAIL B	184 POSN. DIMM2P, 2.5V, 30 GOLD PLATED CONTACTS	6-390241-1		
SUPERSEDED BY 5390241-8	1.47 [0.058]	3.30 [0.130]	DETAIL B	184 POSN. DIMM2P, 2.5V, PRE-PLATED CONTACTS	5-390241-1		
	1.07 [0.042]	2.79 [0.110]	DETAIL B	184 POSN. DIMM2P, 2.5V, PRE-PLATED CONTACTS	4-390241-1		
	1.07 [0.042]	2.79 [0.110]	DETAIL B	184 POSN. DIMM2P, 2.5V, PRE-PLATED CONTACTS	3-390241-3		
SUPERSEDED BY 5390241-6	1.07 [0.042]	2.79 [0.110]	DETAIL B	184 POSN. DIMM2P, 2.5V, PRE-PLATED CONTACTS	3-390241-1		
	1.47 [0.058]	2.79 [0.110]	DETAIL A	184 POSN. DIMM2P, 1.8V, PRE-PLATED CONTACTS	2-390241-2		
SUPERSEDED BY 5390241-5	1.47 [0.058]	2.79 [0.110]	DETAIL B	184 POSN. DIMM2P, 2.5V, PRE-PLATED CONTACTS	2-390241-1		
SUPERSEDED BY 1-5390241-2	1.07 [0.042]	2.79 [0.110]	DETAIL A	184 POSN. DIMM2P, 1.8V, PRE-PLATED CONTACTS	1-390241-2		
	1.07 [0.042]	2.79 [0.110]	DETAIL B	184 POSN. DIMM2P, 2.5V, PRE-PLATED CONTACTS	1-390241-1		
	1.07 [0.042]	2.79 [0.110]	DETAIL B	184 POSN. DIMM2P, 2.5V, GOLD FLASH PLATED CONTACTS	390241-6		
	1.07 [0.042]	3.30 [0.130]	DETAIL A	184 POSN. DIMM2P, 1.8V, PRE-PLATED CONTACTS	390241-5		
	1.07 [0.042]	3.30 [0.130]	DETAIL B	184 POSN. DIMM2P, 2.5V, PRE-PLATED CONTACTS	390241-4		
SUPERSEDED BY 5390241-3	1.07 [0.042]	2.79 [0.110]	DETAIL B	184 POSN. DIMM2P, 2.5V, PRE-PLATED CONTACTS	390241-3		
SUPERSEDED BY 5390241-2	1.07 [0.042]	2.79 [0.110]	DETAIL A	184 POSN. DIMM2P, 1.8V, PRE-PLATED CONTACTS	390241-2		
SUPERSEDED BY 5390241-1	1.07 [0.042]	2.79 [0.110]	DETAIL B	184 POSN. DIMM2P, 2.5V, PRE-PLATED CONTACTS	390241-1		
	DIM "B"	SOLDER TAIL LENGTH DIM "A"	KEY POSITION	DESCRIPTION	PART NUMBER		

THIS DRAWING IS A CONTROLLED DOCUMENT.

DIMENSIONS: MM [INCHES]	TOLERANCES UNLESS OTHERWISE SPECIFIED:	DIN A HOLT 21SEP01	tyco Electronics	Tyco Electronics Corporation
0 PLC ± -	1 PLC ± -	19NOV98		Shanghai, P.R.China, 200233
2 PLC ± 0.13 [0.005]	3 PLC ± -	19NOV98	NAME	
4 PLC ± -	ANGLES ± -		PRODUCT SPEC	SOCKET ASSEMBLY, DIMM2P
			APPLICATION SPEC	108-1753
			SIZE	114-1115
			WEIGHT	A1 00779 ©=390241
			CUSTOMER DRAWING	SCALE 4:1 SHEET 1 OF 2 REV Z



KEY POSITIONS

RECOMMENDED MODULE LAYOUT
 SEE JEDEC SPEC MO-206 FOR COMPLETE MODULE DETAILS
 1.27 ± 0.10 [0.050 ± 0.004] THICK ACROSS CONTACT PADS

THIS DRAWING IS A CONTROLLED DOCUMENT.		DWG: A.HOLT 21SEP01	 Tyco Electronics Corporation Shanghai, P.R.China, 200233
DIMENSIONS: MM [INCHES]		CHK: D.SHIRLING 24NOV98	
TOLERANCES UNLESS OTHERWISE SPECIFIED:		APPV: D.SHIRLING 24NOV98	NAME: SOCKET ASSEMBLY, DIMM2P
0 PLC	± -	PRODUCT SPEC	108-1753
1 PLC	± -	APPLICATION SPEC	114-1115
2 PLC	± 0.13 [0.005]	SIZE	A1
3 PLC	± -	CAGE CODE	00779
4 PLC	± -	DRAWING NO	390241
ANGLES	± -	RESTRICTED TO	-
FINISH	± -	CUSTOMER DRAWING	SCALE 1:1 SHEET 2 OF 2 REV Z