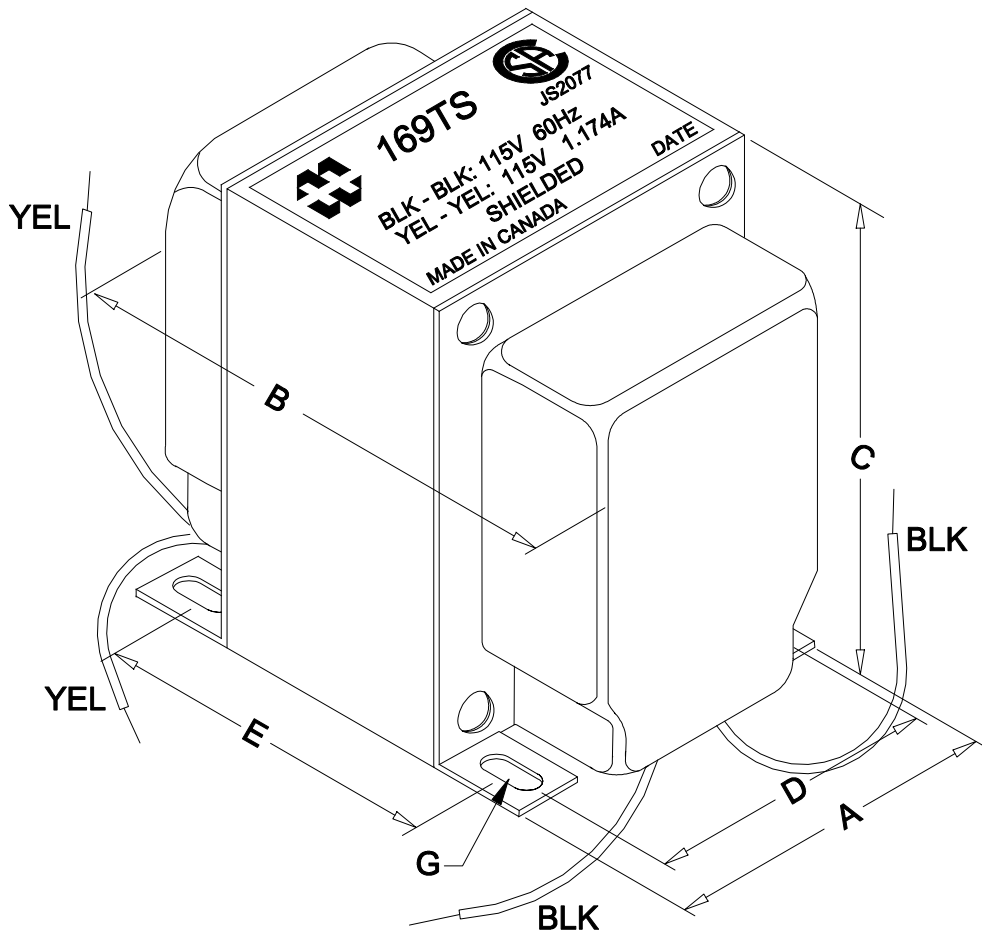
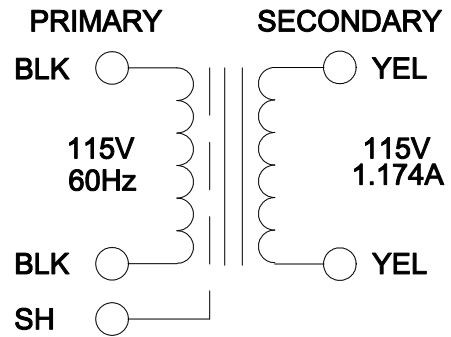


EDB169TS

DIMENSIONS:	
A	3.125" ±0.063
B	4.186" ±0.125
C	3.800" ±0.063
D	2.500" ±0.063
E	2.938" ±0.063
G	0.203" x 0.400" ±0.015



NOTE: ALL LEADS 8" OUT MIN.



ELECTRONIC DIVISION
52 RANKIN PLACE,
WATERLOO, ONTARIO, N2J 3Z5
PH # (519) 886-6181
FAX # (519) 886-9540

TITLE
169TS

NO	DATE	REVISION	DWG. BY
0	06/07/10	RELEASED.	C.I. CORINA ILIE
			DATE
			06/07/10
			DIM IN()MM()

EDB169TS