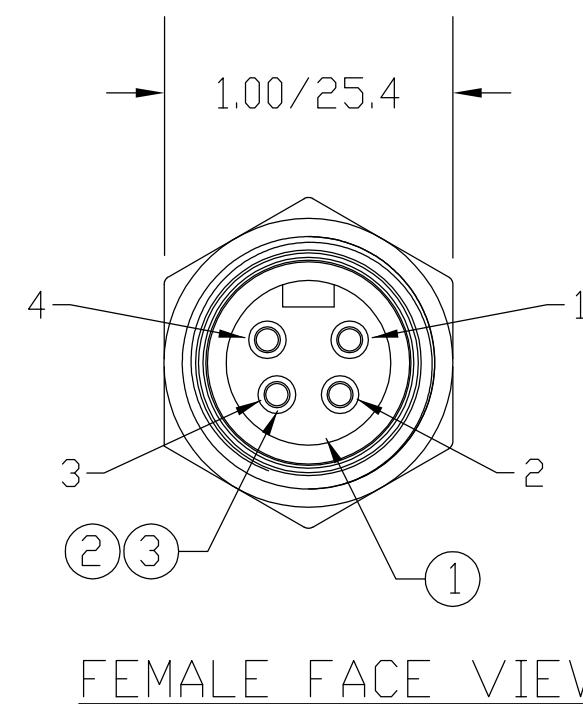
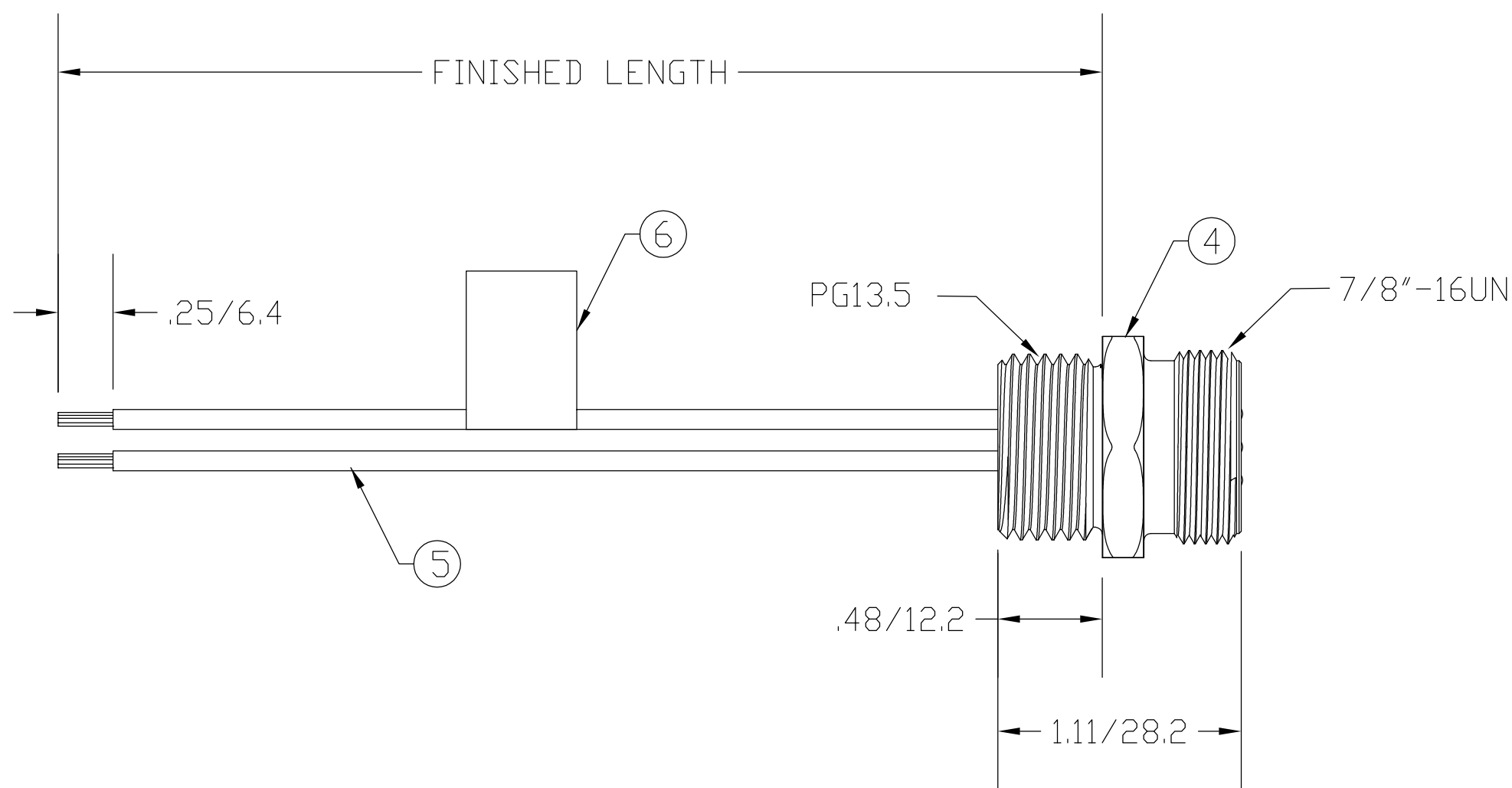
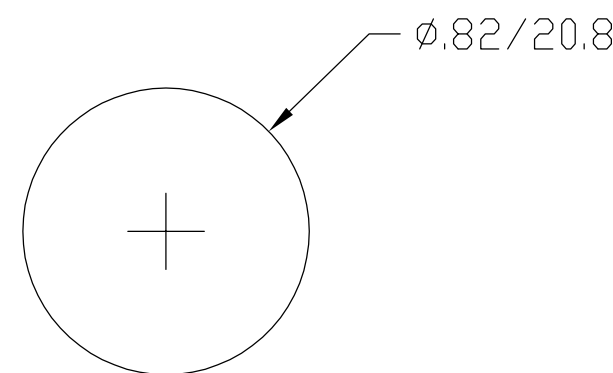


MATERIAL NUMBER	OLD PART NUMBER	FINISHED LENGTH
130013-0393	1R4D04A16M020	6.56" +3.50" -0 [2.0M +88.9 -0]



1	BLACK
2	BLUE
3	BROWN
4	WHITE

WIRING DIAGRAM



KNOCKOUT HOLE

VOLTAGE RATING	300 VAC/VDC
AMPERAGE RATING	5.6 AMPS
PROTECTION	IP67
OPERATING TEMPERATURE	-20°C TO 105°C
CSA CERTIFICATIONS	CSA CERTIFIED, FILE NO. LR6837

ITEM	COMPONENT	MATERIAL	FINISH
1	INSERT	PVC	YELLOW
2	CONTACT SOCKET	COPPER ALLOY	GOLD OVER NICKEL
3	SOCKET SLEEVE	STAINLESS STEEL	
4	RECEPTACLE SHELL	ZINC DIE CAST	BLACK E-COATED
5	CONDUCTOR - 18 AWG. 16 x #30 COPPER STRANDING, 600V	PVC	SEE WIRING DIAGRAM
6	FLAG LABEL	PLASTIC FILM	BLACK/YELLOW

RLSO DRAWING EC NO: WNA2009-0849 DRWN: BWOODMAN 6/18/09 CH'KD: JM APPR: JFMURPHY 2009/07/08	QUALITY SYMBOL	GENERAL TOLERANCES (UNLESS SPECIFIED)	DIMENSION STYLE	SCALE	DESIGN UNITS	THIRD ANGLE PROJECTION														
	$\nabla = 0$ $\sphericalangle = 0$	<table border="1"> <tr><th></th><th>mm</th><th>INCH</th></tr> <tr><td>4 PLACES</td><td>±----</td><td>±----</td></tr> <tr><td>3 PLACES</td><td>±----</td><td>±----</td></tr> <tr><td>2 PLACES</td><td>±----</td><td>±.01</td></tr> <tr><td>1 PLACE</td><td>±0.3</td><td>±----</td></tr> </table>		mm	INCH		4 PLACES	±----	±----	3 PLACES	±----	±----	2 PLACES	±----	±.01	1 PLACE	±0.3	±----	IN/MM	----
		mm	INCH																	
	4 PLACES	±----	±----																	
3 PLACES	±----	±----																		
2 PLACES	±----	±.01																		
1 PLACE	±0.3	±----																		
DESCRIPTION	ANGULAR ±----°	DRAFT WHERE APPLICABLE MUST REMAIN WITHIN DIMENSIONS	DRAWN BY: BW DATE: 2009/06/18 CHECKED BY: LH DATE: 2009/06/18 APPROVED BY: DATE:	TITLE: MINI-CHANGE RECEPTACLE 4 POLE FEMALE PG13.5 IEC COLOR CODE MOLEX INCORPORATED																
REV			SIZE: C	MATERIAL NO. SEE CHART DOCUMENT NO. SD-130013-007 SHEET NO. 1 OF 1																

THIS DRAWING CONTAINS INFORMATION THAT IS PROPRIETARY TO MOLEX INCORPORATED AND SHOULD NOT BE USED WITHOUT WRITTEN PERMISSION