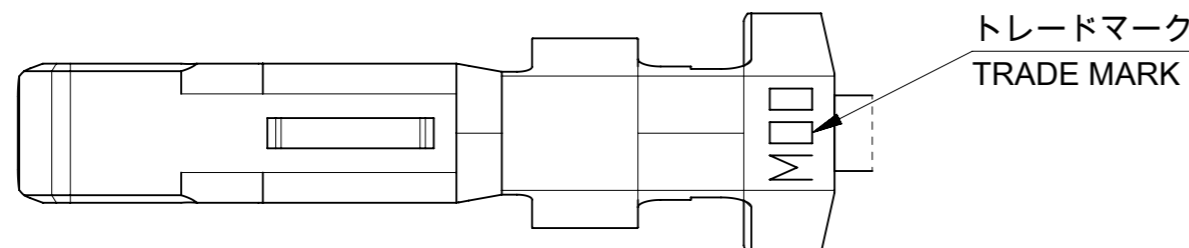
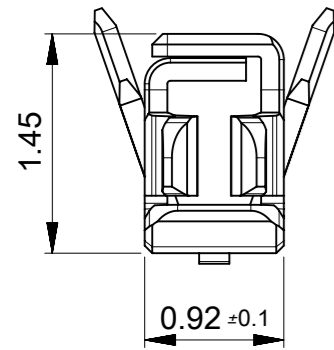
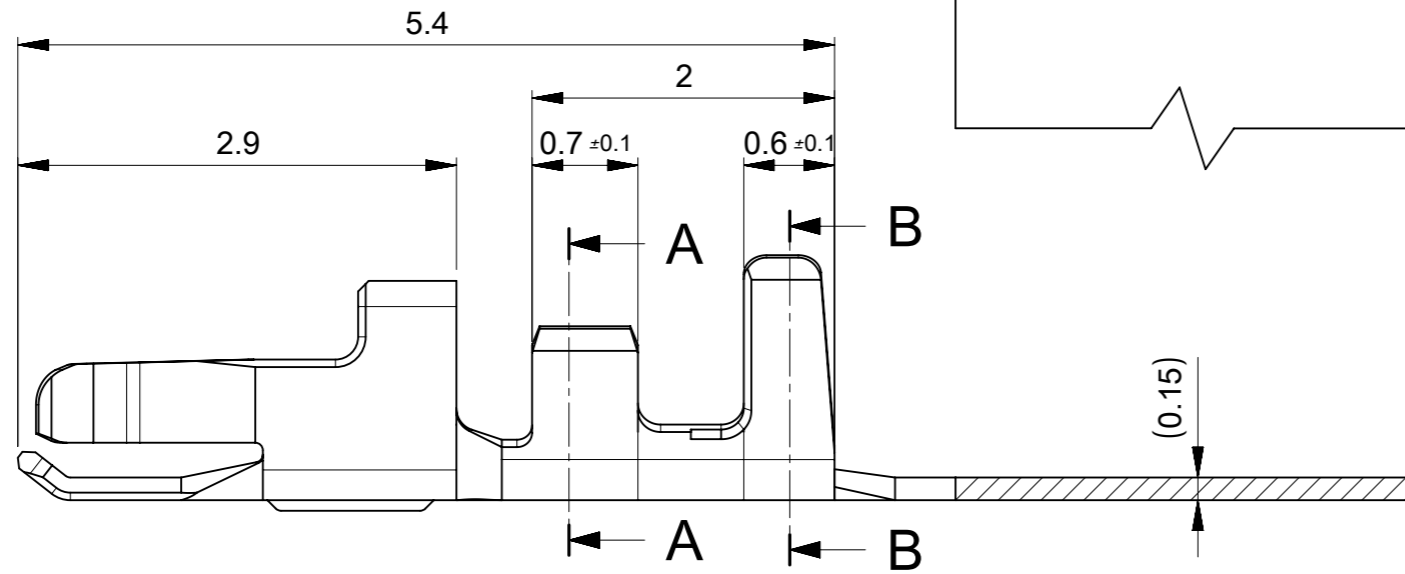


SECTION A-A

SECTION B-B



NOTES:

- 適合ハウジング : 505432****(DUAL)/505565****(SINGLE)
204523****(DUAL)/204532****(SINGLE)
APPLICABLE HOUSING : 505432****(DUAL)/505565****(SINGLE)
204523****(DUAL)/204532****(SINGLE)
- アプリケーション仕様書 (コネクタ取扱説明書) : AS-505432-001/-002(DUAL)
AS-505565-001/002(SINGLE)
2045230000-AS PS 000/001(DUAL)
2045320000-AS PS 000/001(SINGLE)
APPLICATION SPECIFICATIONS (CONNECTOR MANUAL) : AS-505432-001/-002
AS-505565-001/002
2045230000-AS PS 000/001
2045320000-AS PS 000/001
- 圧着条件については、圧着仕様書 (CS-505431-001) を参照願います。
PLEASE REFER TO CRIMP SPECIFICATION (CS-505431-001).
- 製品仕様書 : 5054320000 PS 002(DUAL)/5055650000 PS 000(SINGLE)
2045230000-PS PS 000(DUAL)/2045320000-PS PS 000(SINGLE)
PRODUCT SPECIFICATION : 5054320000 PS 002(DUAL)/5055650000 PS 000(SINGLE)
2045230000-PS PS 000(DUAL)/2045320000-PS PS 000(SINGLE)
- 圧着視覚教材 (品質要領書) : ATS-57427-0000
CRIMPING VISUAL AID : ATS-57427-0000

5054311000	連鎖状 CHAIN
リール REEL PACKAGE	端子形状 FORM
オーダー番号 ORDER NO.	

THIS DRAWING CONTAINS INFORMATION THAT IS PROPRIETARY TO MOLEX ELECTRONIC TECHNOLOGIES, LLC AND SHOULD NOT BE USED WITHOUT WRITTEN PERMISSION

MATERIAL 材料 銅合金, 錫めっき: 0.7µm以上 COPPER ALLOY PRE-TIN PLATED (HEAT TREATED MATTE TIN) : 0.7 MICROMETER MINIMUM	
WIRE RANGE 適用電線範囲 AWG #26 ~ #30 MM ² : 0.049 ~ 0.136	
INS. RANGE 被覆外径 φ0.78 ~ φ1.02	

REVISED EC NO: 168093 DRWN: TAKAIKE CHK'D: KOMURAKAMI APPR: TKANEKO	2017/11/27	2017/12/04	2017/12/06
	GENERAL TOLERANCES (UNLESS SPECIFIED)		
	ANGULAR TOL ± 1.0 °		
	4 PLACES	± 0.2	
	3 PLACES	± 0.2	
2 PLACES	± 0.2		
1 PLACE	± 0.2		
0 PLACES	± 0.2		
DRAFT WHERE APPLICABLE MUST REMAIN WITHIN DIMENSIONS			

DIMENSION UNITS	SCALE
mm	20:1
DRWN BY	DATE
RWATANABE01	2017/09/14
CHK'D BY	DATE
KOMURAKAMI	2017/09/26
APPR BY	DATE
TKANEKO	2017/09/26
DRAWING SIZE	THIRD ANGLE PROJECTION
A3	

molex			
MICRO-LOCK PLUS 1.25 CRIMP TERM CRIMP TERM			
PRODUCT CUSTOMER DRAWING			
SERIES	MATERIAL NUMBER	CUSTOMER	
505431	SEE CHART	GENERAL	
DOCUMENT NUMBER		DOC TYPE	DOC PART SHEET NUMBER
5054311000-SD		PSD	000 1 OF 1

