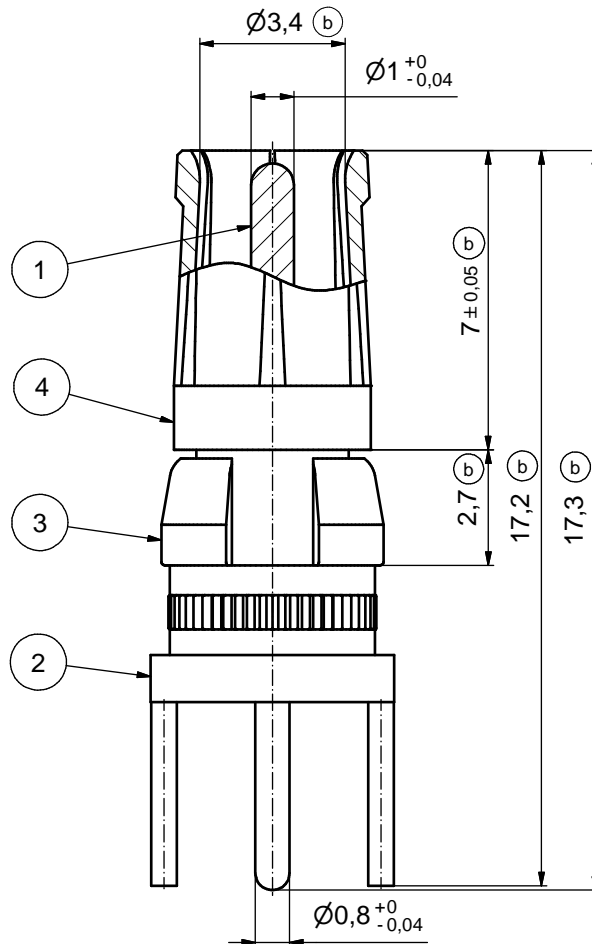
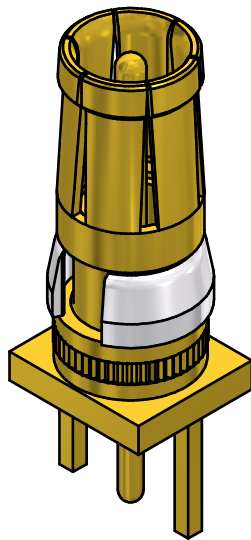
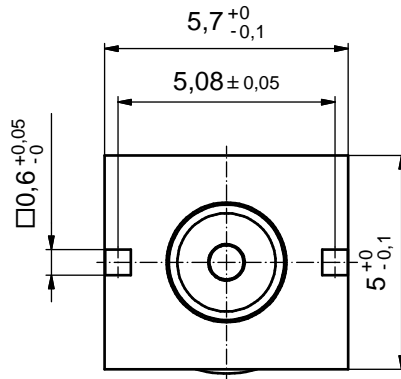
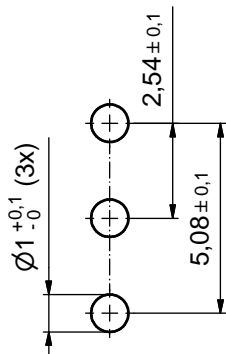


Part no.	Finish Pos.1	Finish Pos.2	Finish Pos.3	Finish Pos.4
132A24019X	GOLD FLASH over NICKEL	GOLD FLASH over NICKEL	NICKEL PLATED	GOLD FLASH over NICKEL
132J24019X	min. 50µin HARD GOLD over min. 50µin NICKEL	GOLD FLASH over NICKEL	NICKEL PLATED	min. 30µin HARD GOLD over min. 50µin NICKEL



(b) MOUNTING HOLES



Directive 2002/95/EC RoHS compliant

THIS DRAWING MAY NOT BE COPIED OR REPRODUCED IN ANY WAY, AND MAY NOT BE PASSED ON TO A THIRD PARTY WITHOUT WRITTEN PERMISSION. OWNERSHIP AND COPYRIGHT OF CONEC GmbH DO NOT ALTER CAD DRAWING BY HAND				tolerance		 dim. in mm	scale: 8:1		
				date	name		material: COPPER ALLOY (Pos. 1 - 4) (b)		
drawn	08.12.06	Schwenkler	title: COAXIAL CONTACT SOCKET 50 OHM Straight PCB termination, (76) with 3 Pins for D-SUB COMBINATION				dwg no: 13K2IARA	DIN-A3 sh: 1	
appd.	08.12.06	Lehmenkühler							
norm	d-old		part no: see table (b)						
7 x b	Ä5188	30.04.14							HS
a	Original								
rev.	description	date	name						