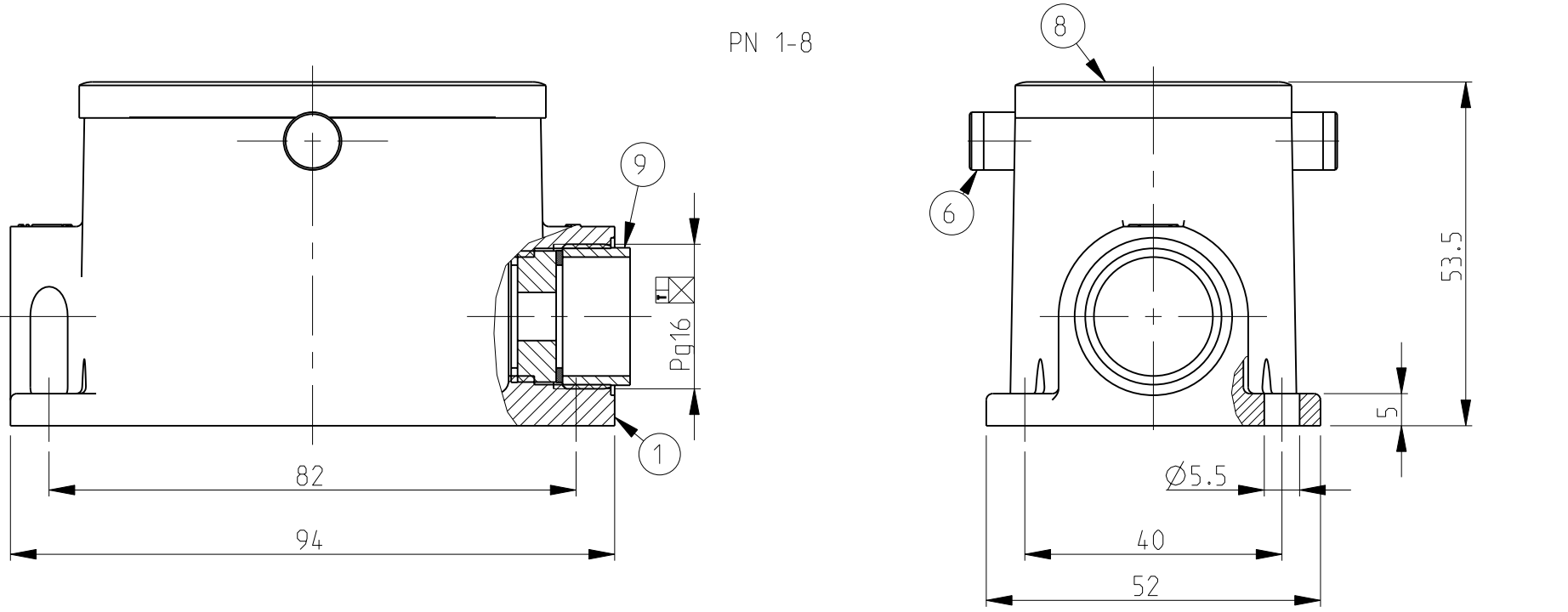
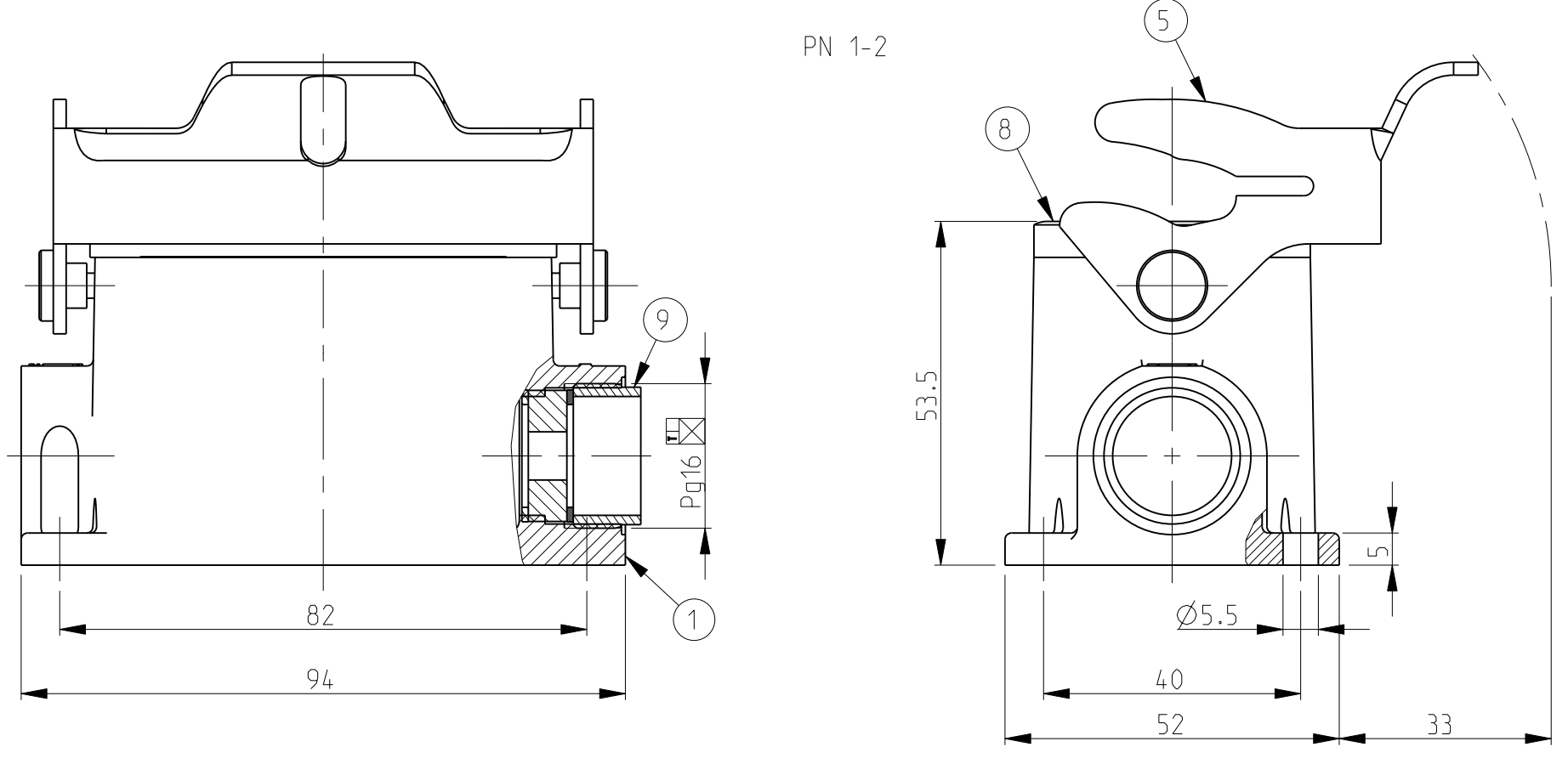
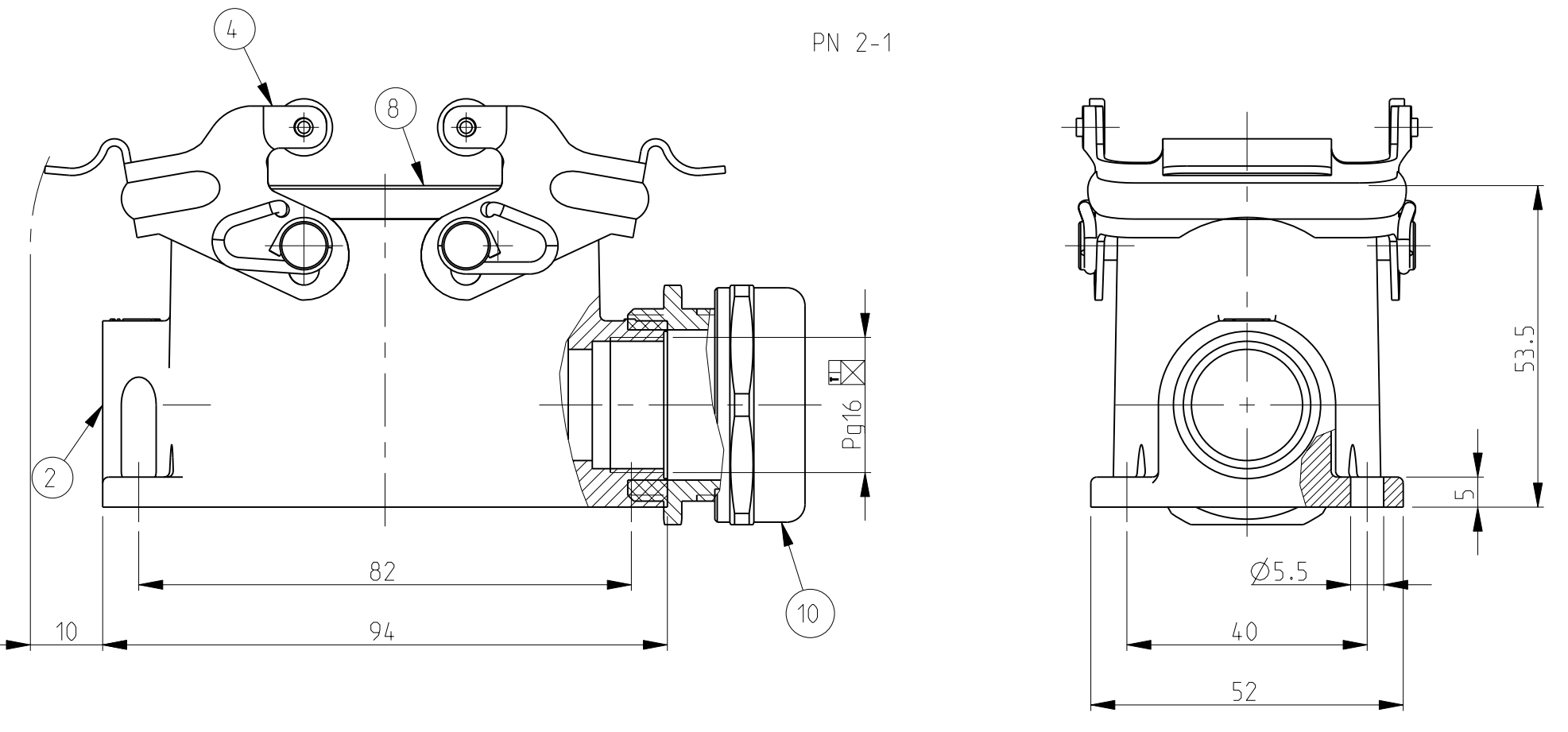
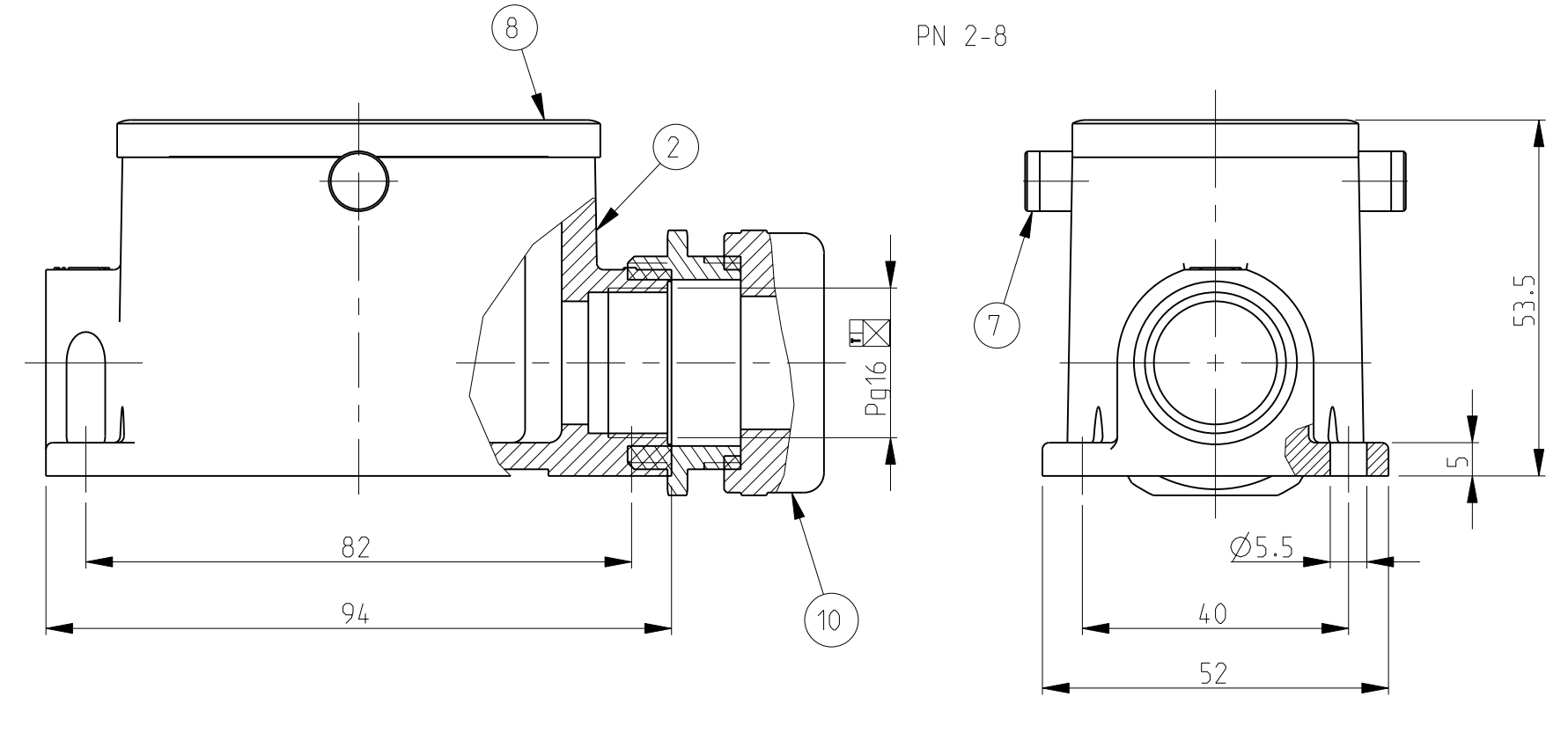
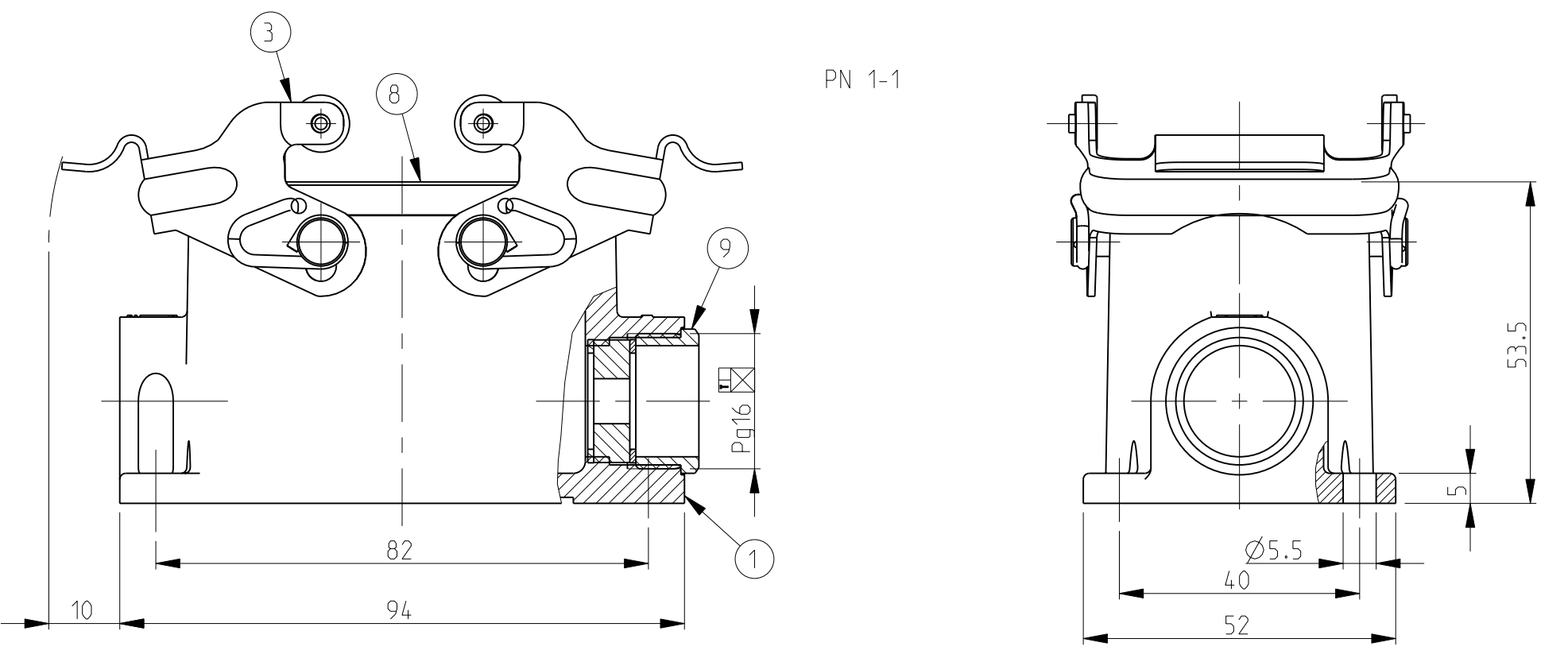
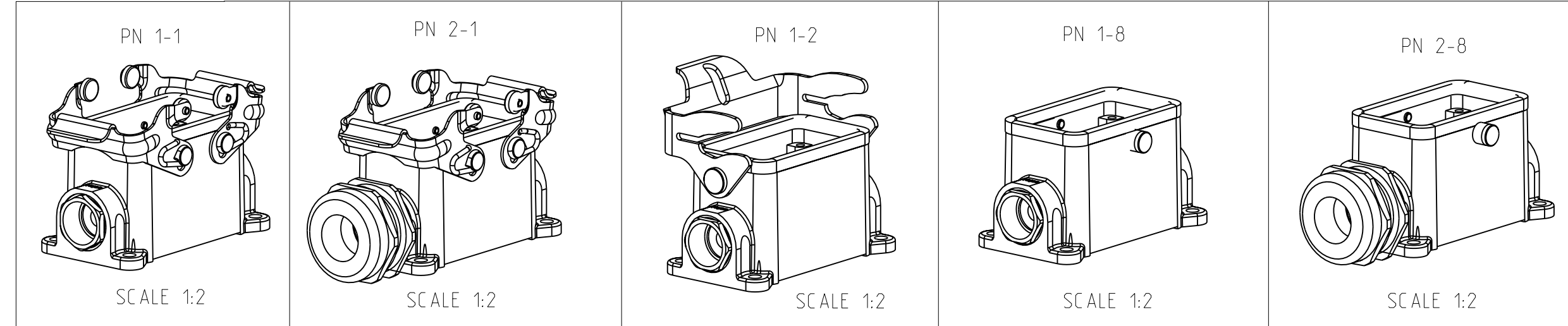


LOC	DIST	REV	DATE	BY	APPD
A1	-	A2	Released as per ECR-08-016634	02.July.2008	SP TS



- NOTES.
- Material:Housing:Aluminium Diecasting Alloy
Seals:Neoprene
 - Surface:Varnish grey
-Aluminium Oxide +Varnish Black
 - Varnish on the inside not necessary
 - Packaging
Quantity 5 Pieces in a box



QTY	DESCRIPTION	MATERIAL	SURFACE	COLOR	ITEM NO	NOTES
1	Hut-Gland fitting	Brass	Nickel plated	Blue	10	Pg16
1	DS-Cable fitting screw	Brass	Nickel plated	Blue	9	Pg16
1	Profile seal	Neoprene		Black	8	
2	ZB-Clip positioner	Stainless steel	Blank	Blue	7	
2	ZB-Clip positioner	Steel	Zinc plated	Blue	6	
1	LB-Side clip	Steel	Zinc plated	Blue	5	
2	VS-Side clip	Stainless steel	Blank		4	
2	VS-Side clip	Steel	Zinc plated	Blue	3	
1	Surface mounted housing bottom entry HB-K	Aluminium	Aluminium oxide	Black	2	
1	Surface mounted housing bottom entry HB	Aluminium		Grey	1	

ORDERING TEXT
 HB.10.SG-VS.1.16
 HB-K.10.SG-VS.1.16
 HB.10.SG-LB.1.16
 HB-Z.10.SG-ZVGR.1.16
 HB-K/Z.10.SG-ZVGR.1.16

DWN	Schneider	29.04.03	Tyco Electronics,AMP.GmbH 0-53819,Neunkirchen,Germany
CHK	Schweiger	29.04.03	
NAME	Surface mounted housing side entry HB.10.SG.1.16		
PRODUCT SPEC			
APPLICATION SPEC			
WEIGHT	A1 00779 C=1102273		
CUSTOMER DRAWING	SCALE	1:1	SHEET 1 OF 1 REV A2