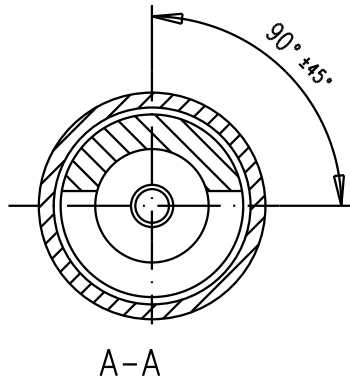
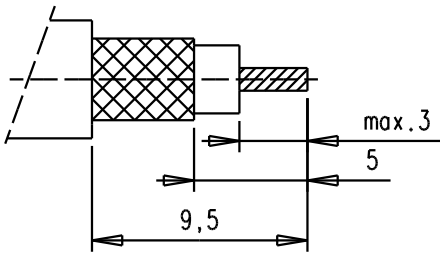


1 2 3 4 5 6

solder pot position:

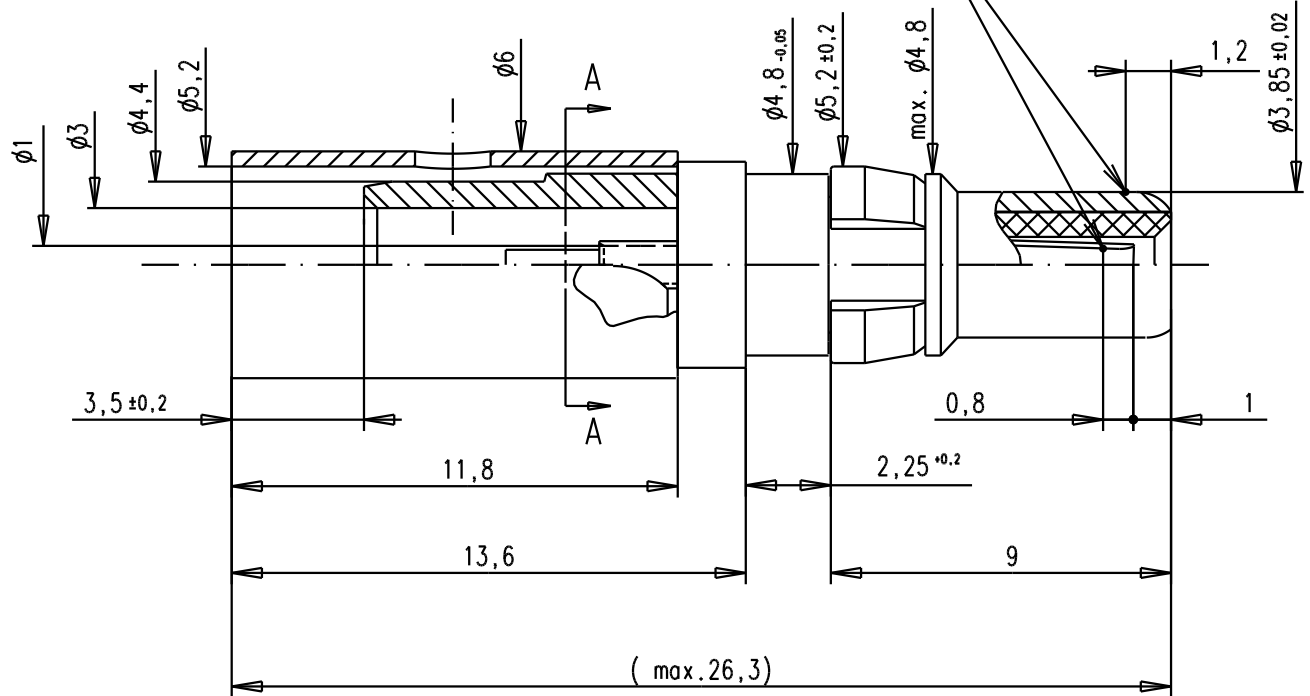


harnessing dimensions for cable RG 58CU, RG 141AU




Crimping tool of outer conductor:
 hand tool: 09 99 000 0503 00
 die: 09 99 000 0515 00
 cavity A

Points of plating thickness measurement



D

Part number	Plating	outer conductor	inner conductor	Mod.	Dat.	Name
09692817143	Mating area	0,2 μm Au	0,2 μm Au			
	Termination area	5 μm Sn	0,2 μm Au			
09692815143	Mating area	0,8 μm Au	1,3 μm Au	32486	13/12/04	TR
	Termination area	0,2 μm Au	1,3 μm Au	32233	29/09/04	TR

Detail.	Dat.	Name	Moßstab/Scale
	29/09/04	TR	
			5:1
 All Dim. in mm Orig. Size DIN A 4			Male coaxial contact, 50 Ω, straight cable termination inner conductor for solder termination outer conductor for solder or crimp termination
HARTING EURL F-95972 Paris			TB 09 69 281 X143 Sub. 1/1