

1

2

3

4

5

6

7

A

A

B

B

C

C

D

D

E

E

F

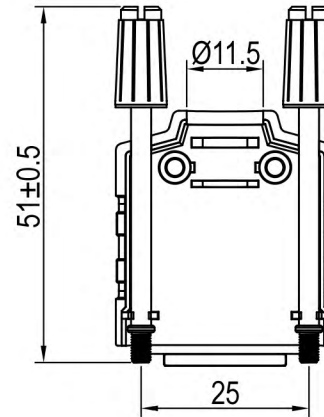
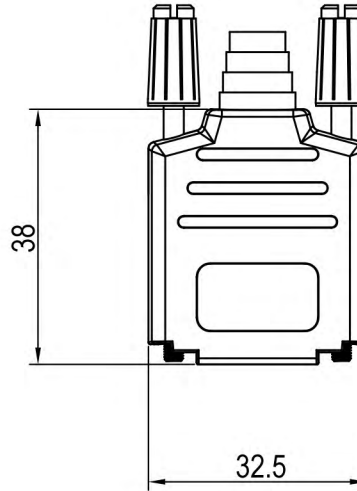
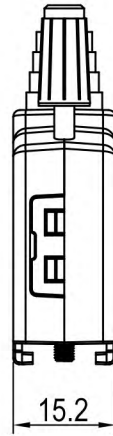
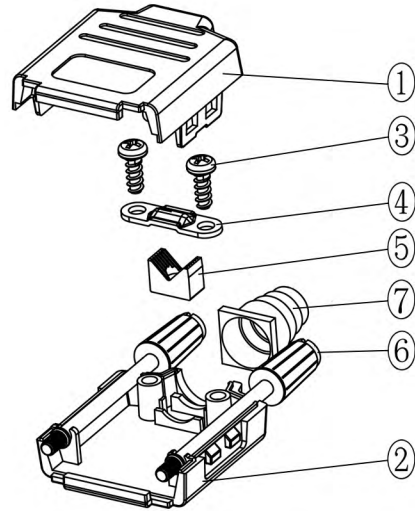
F

G

G

H

H

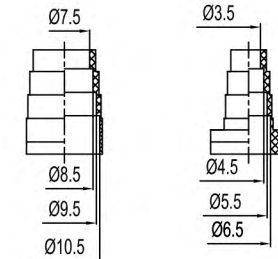


TECHNICAL SPECIFICATIONS

Material: ABS Plastic, UL94-HB
 Plating: Nickel over Copper
 Operating Temperature: -55°C to +110°C
 Thumbscrews: UNC 4-40

No. of contacts: 09-15-25-37

Item	QTY	Part description
1	1	Upper Cover
2	1	Lower Cover
3	2	EPS 3x8 Self Tapping Screw
4	1	Cable Clamp
5	1	Metalized Plastic Insert
6	2	Jackscrews UNC4-40 x 51mm
7	1	Metalized Grommet



Metalized Grommets

RoHS compliant
 Unit: mm

Scale	Free				Date	Name	Customer-No.	
TOLERANCE					Drawn	17.08.2017	S.Bölling	
0~6	±0.10				Approved	17.08.2017	S.Bölling	
6~30	±0.20							
30~120	±0.30							
120~400	±0.50							
DIM	Tol							
Angle	±1°	©	Drawn	17.08.2017				S.Bölling
Angle	Tol	Id.	Modification	Date				Name

Customer-No.
 ASSMANN WSW-No.
ACOV-SUB-09MB10

Drawing-No.
ASS_5251_CO rev00
 Replace
 Sheet 1/4

1

2

3

4

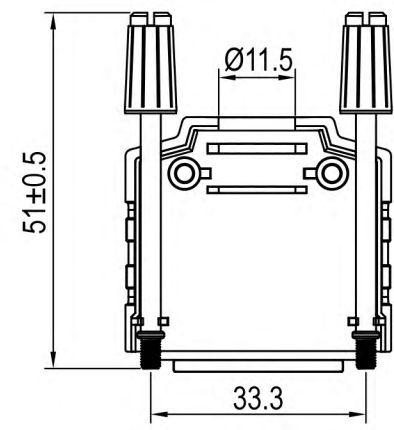
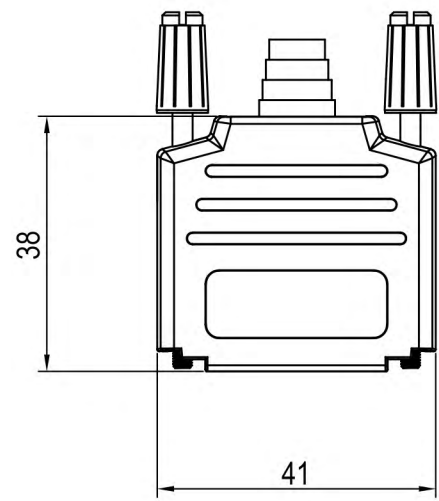
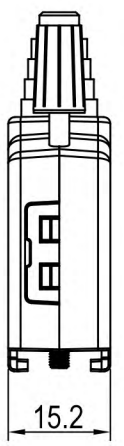
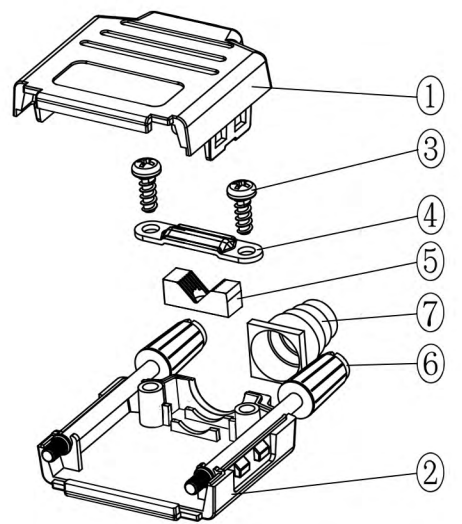
5

6

7

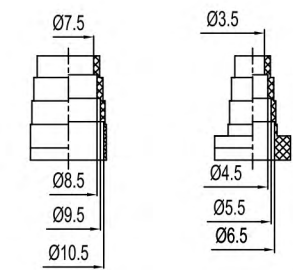
SV4382

A
B
C
D
E
F
G
H



TECHNICAL SPECIFICATIONS

Material: ABS Plastic, UL94-HB
 Plating: Nickel over Copper
 Operating Temperature: -55°C to +110°C
 Thumbscrews: UNC 4-40
 No. of contacts: 09-15-25-37



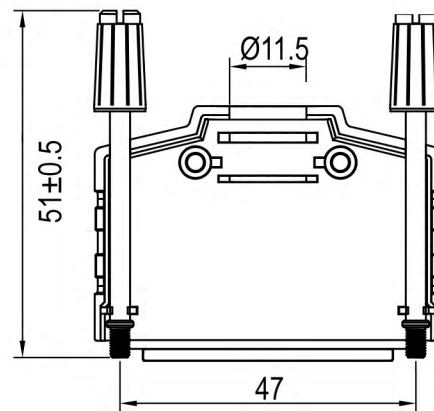
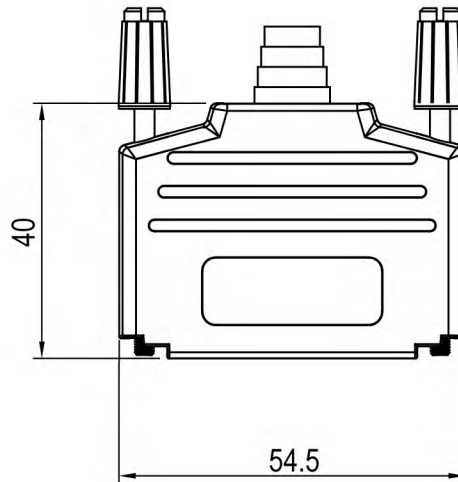
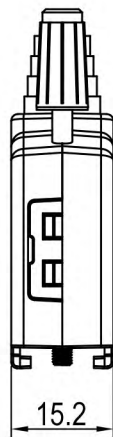
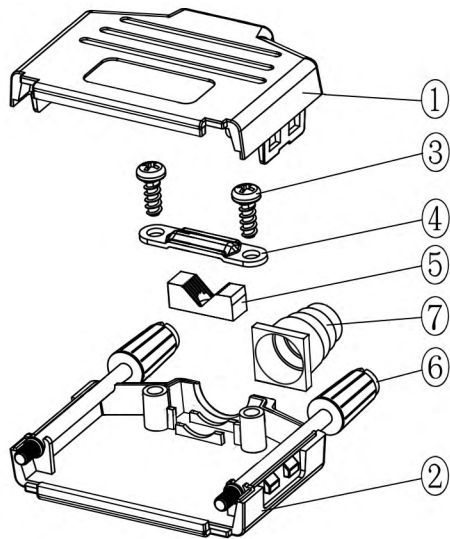
Metalized Grommets

Item	QTY	Part description
1	1	Upper Cover
2	1	Lower Cover
3	2	EPS 3x8 Self Tapping Screw
4	1	Cable Clamp
5	1	Metalized Plastic Insert
6	2	Jackscrews UNC4-40 x 51mm
7	1	Metalized Grommet

RoHS compliant
Unit: mm

Scale	Free				Date	Name	Customer-No.
TOLERANCE					Drawn	17.08.2017	S.Bölling
0~6	±0.10				Approved	17.08.2017	S.Bölling
6~30	±0.20						
30~120	±0.30						
120~400	±0.50						
DIM	Tol						
Angle	±1°	© Drawn	17.08.2017	S.Bölling			
Angle	Tol	Id.	Modification	Date			

ASSMANN WSW-No. ACOV-SUB-15MB10	
Drawing-No. ASS_5251_CO	rev00
Replace	Sheet 2/4

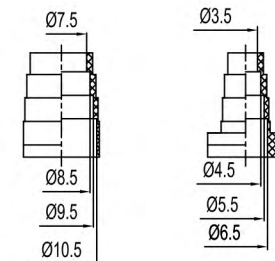


TECHNICAL SPECIFICATIONS

Material: ABS Plastic, UL94-HB
 Plating: Nickel over Copper
 Operating Temperature: -55°C to +110°C
 Thumbscrews: UNC 4-40

No. of contacts: 09-15-25-37

Item	QTY	Part description
1	1	Upper Cover
2	1	Lower Cover
3	2	EPS 3x8 Self Tapping Screw
4	1	Cable Clamp
5	1	Metalized Plastic Insert
6	2	Jackscrews UNC4-40 x 51mm
7	1	Metalized Grommet

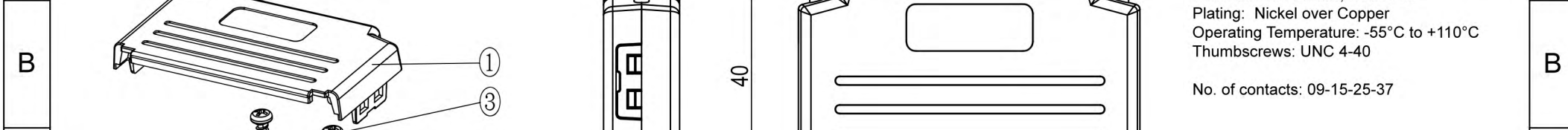
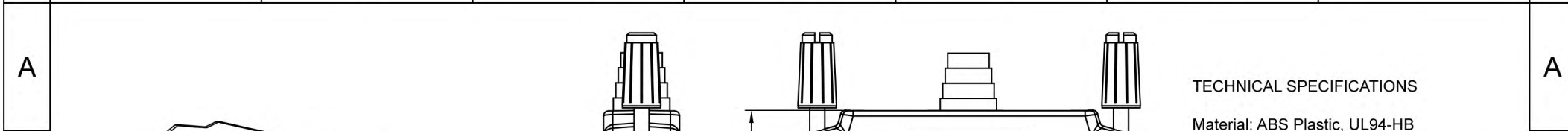


Metalized Grommets

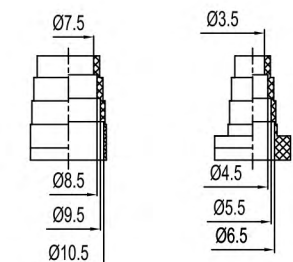
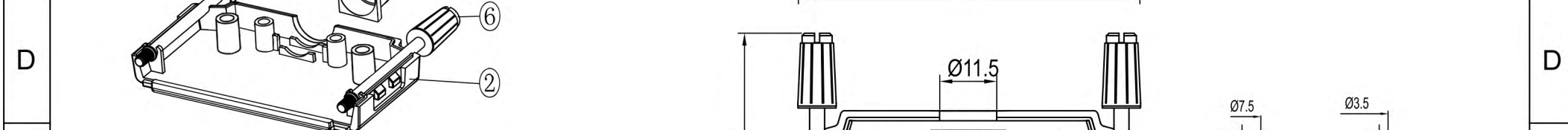
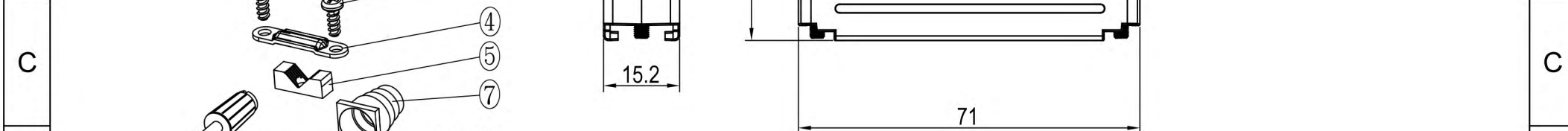
RoHS compliant
 Unit: mm

Scale	Free				Date	Name	Customer-No.	
TOLERANCE					Drawn	17.08.2017	S.Bölling	
0~6	±0.10				Approved	17.08.2017	S.Bölling	
6~30	±0.20							
30~120	±0.30							
120~400	±0.50							
DIM	Tol							
Angle	±1°	©	Drawn	17.08.2017				S.Bölling
Angle	Tol	Id.	Modification	Date				Name

Customer-No.		
ASSMANN WSW-No.		ACOVSUB-25MB10
Drawing-No.	ASS_5251_CO	rev00
Replace		Sheet 3/4



TECHNICAL SPECIFICATIONS
 Material: ABS Plastic, UL94-HB
 Plating: Nickel over Copper
 Operating Temperature: -55°C to +110°C
 Thumbscrews: UNC 4-40
 No. of contacts: 09-15-25-37




Metalized Grommets

Item	QTY	Part description
1	1	Upper Cover
2	1	Lower Cover
3	2	EPS 3x8 Self Tapping Screw
4	1	Cable Clamp
5	1	Metalized Plastic Insert
6	2	Jack screws UNC4-40 x 51mm
7	1	Metalized Grommet



RoHS compliant
 Unit: mm

Scale	Free				Date	Name	Customer-No.
TOLERANCE					Drawn	17.08.2017	S.Bölling
0~6	±0.10				Approved	17.08.2017	S.Bölling
6~30	±0.20						
30~120	±0.30						
120~400	±0.50						
DIM	Tol						
Angle	±1°	©	Drawn	17.08.2017	S.Bölling		
Angle	Tol	Id.	Modification	Date	Name		

Customer-No.
 ASSMANN WSW-No.
ACOV-SUB-37MB10

Drawing-No.
ASS_5251_CO rev00
 Replace
 Sheet 4/4