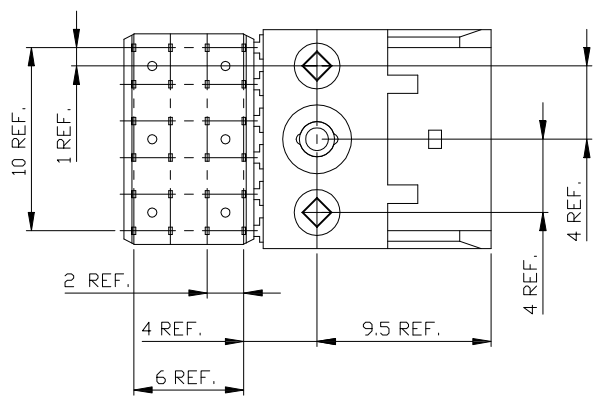
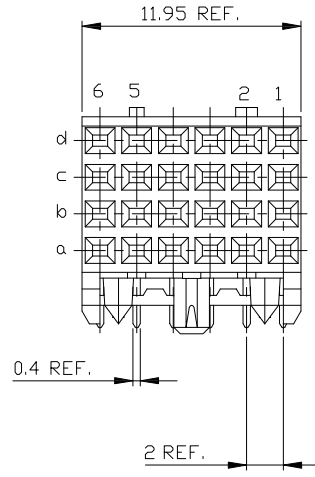
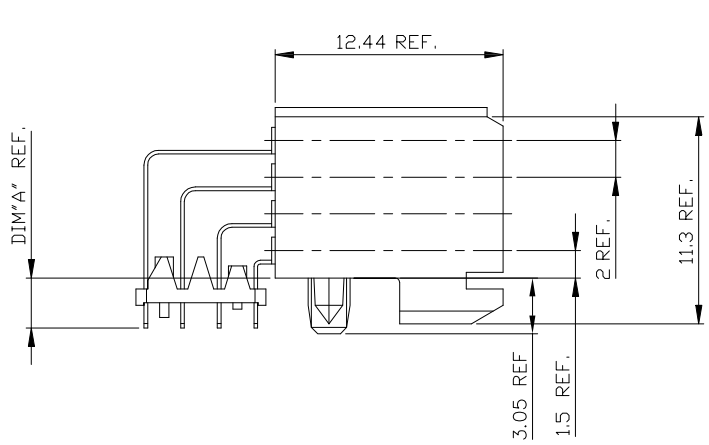


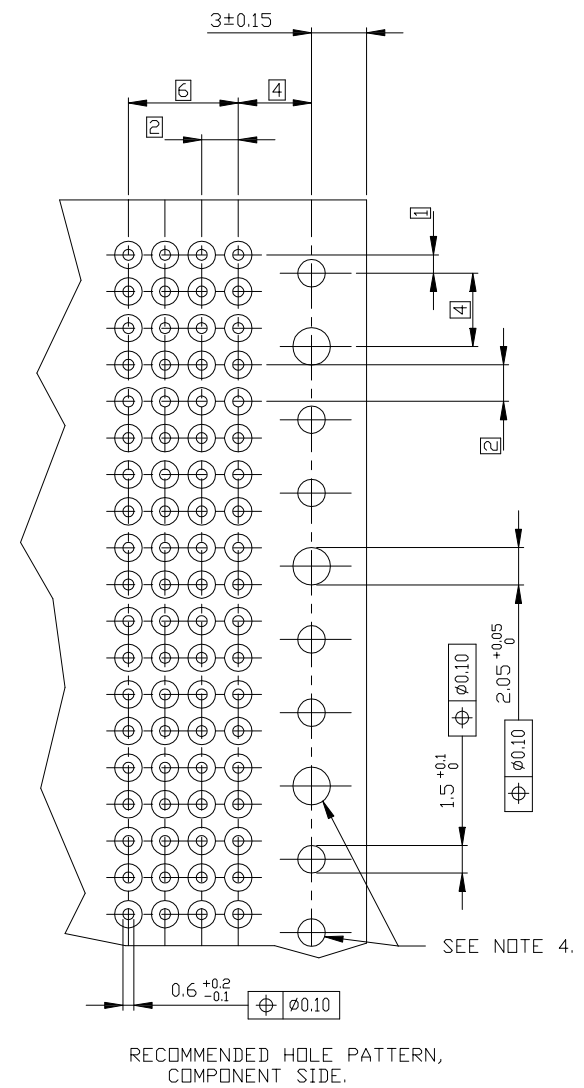
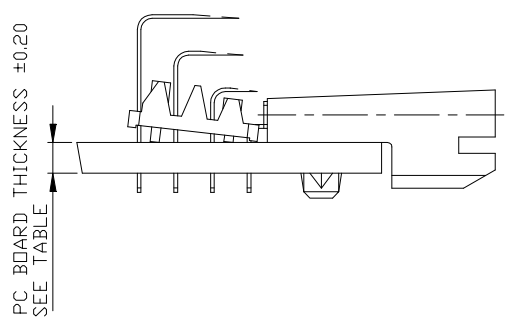
All rights strictly reserved. Reproduction or issue in any form without written authority from the proprietor.
 Tous droits strictement réservés. Reproduction ou communication à des tiers sans autorisation écrite du propriétaire.
 © F C I bv.



PC BOARD VERSIONS		
PRODUCTNR.	PCB THICKNESS	DIM'A"
89035-X01	1.6	2.90
89035-X11	2.4	3.53
89035-X01LF	1.6	2.90
89035-X11LF	2.4	3.53



PRODUCT AFTER PC BOARD APPLICATION.



- NOTES:
- BODY MAT'L: LIQUID CRYSTAL POLYMER 30% GLASS
FLAME RETARDANT ACC. UL 94-V0
 - TERMINAL MATERIAL: PHOSPHOR BRONZE.
 - PLATING SOLDER TAILS 2-8 um SnPb 90-97 OR 2-8 um PURE Sn FOR LEAD FREE .
 - INDICATED HOLES ARE UNPLATED.
 - PRODUCT MARKING: PARTNUMBER & BATCH ID.
 - THIS PRODUCT MEETS EUROPEAN UNION DIRECTIVES AND OTHER COUNTRY REGULATIONS AS DESCRIBED IN GS-22-008.
 - THE HOUSING WILL WITHSTAND EXPOSURE TO 260DEGREE PEAK TEMPERATURE FOR 10 SECONDS IN A WAVE SOLDER APPLICATION.

PLATING CONTACT AREA:

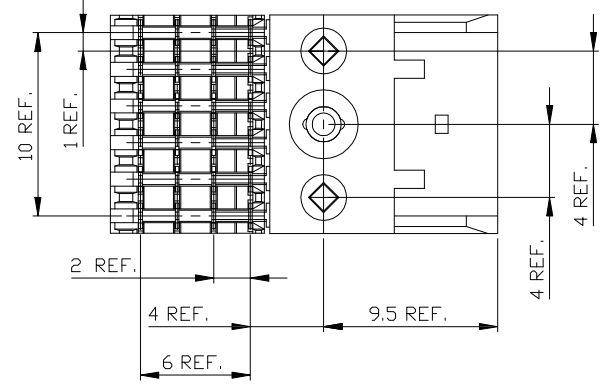
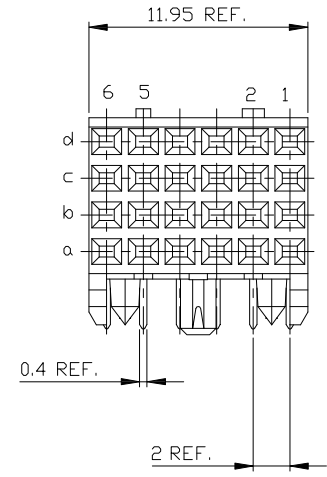
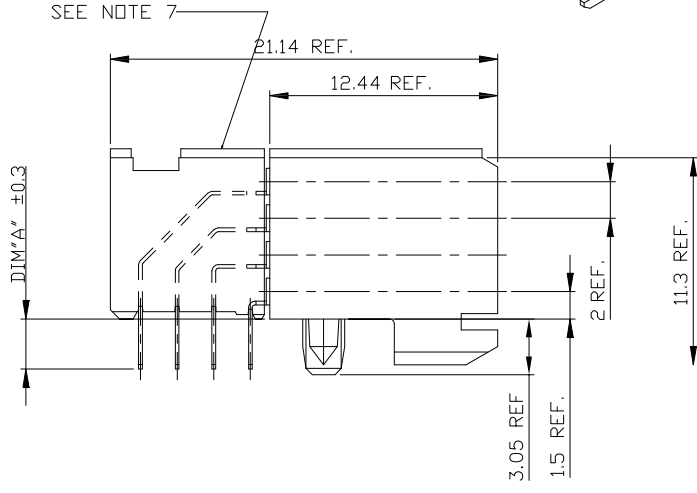
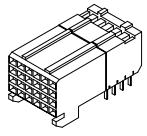
DASH NR:	PERFORMANCE LEVEL
-1YY/1YYLF	TELCORDIA CO
-2YY/2YYLF	CUSTOMER SPECIAL
-3YY/3YYLF	CUSTOMER SPECIAL

mat'l. code		tolerances unless otherwise specified		CUSTOMER CDPY		FCI	
ltr	ecnr	nodr	date	linear	projection	title	
H	DG04-0104	Clu	041220			RA FEMALE SIGNAL	
J	DG06-0478	Cenh	11/23/06			12 mm PRESS PEG	
K	DG07-0171	Cenh	05/25/07	angles		product family	METRAL(tn)
L	DG08-0171	TER	8/26/08	dir	H.Bouwknegt	921216	code
M	SG09-0068	Cenh	06/06/09	engr	H. Bouwknegt	940311	213
				chr	P.Schalk	921222	sheet
G	V00847	LLA	000530	appo	J.Vintjes	921222	1 of 3
sheet	revision	M	M	M			
index	sheet	1	2	3			

All rights strictly reserved. Reproduction or use in any form without written authority from the proprietor.
 Tous droits strictement réservés. Reproduction ou utilisation sans autorisation écrite du propriétaire.
 Property of F.C.I. S.A.
 © F.C.I. S.A.

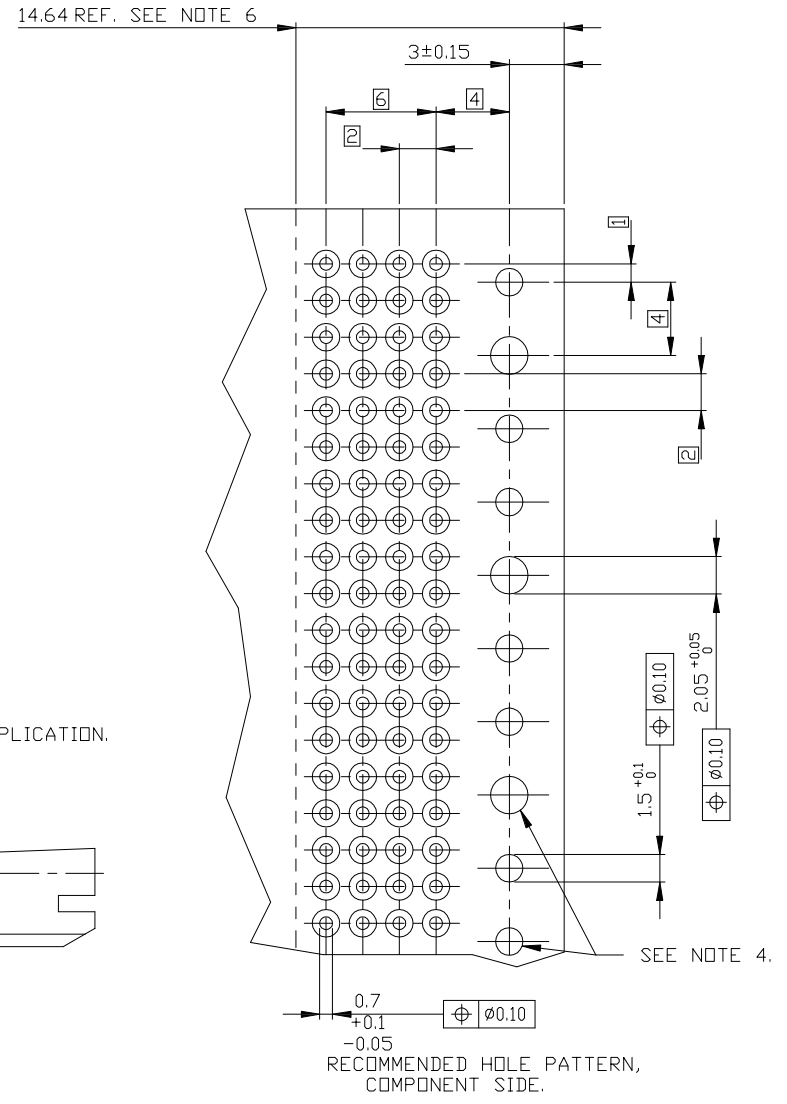
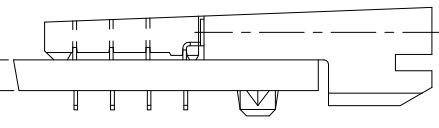


PC BOARD VERSIONS		
PRODUCTNR.	PCB THICKNESS	DIM"A"
89035-X02	1.6	2.90
89035-X12	2.4	3.53
89035-X02LF	1.6	2.90
89035-X12LF	2.4	3.53



PRODUCT AFTER PC BOARD APPLICATION.

PC BOARD THICKNESS ±0.20
SEE TABLE



- NOTES:
- BODY MAT'L: LIQUID CRYSTAL POLYMER 30% GLASS
FLAME RETARDANT ACC. UL 94-V0
 - TERMINAL MATERIAL: PHOSPHOR BRONZE.
 - PLATING SOLDER TAILS 2-8 um SnPb 90-97 OR 2-8 um PURE Sn
 - INDICATED HOLES ARE UNPLATED.
 - PRODUCT MARKING: PART NUMBER & BATCH ID.
 - SET BACK FOR PRESS BLOCK.
 - TOP SURFACE OF PRESS BLOCK MAY EXTEND UP TO 0.4MM HIGHER THAN HOUSING. THIS MAY AFFECT THE TAIL LENGTH BEFORE APPLICATION TO A BOARD.
 - THIS PRODUCT MEETS EUROPEAN UNION DIRECTIVES AND OTHER COUNTRY REGULATIONS AS DESCRIBED IN GS-22-008.
 - THE HOUSING WILL WITHSTAND EXPOSURE TO 260 DEGREE PEAK TEMPERATURE FOR 10 SECONDS IN A WAVE SOLDER APPLICATION.

PLATING CONTACT AREA:

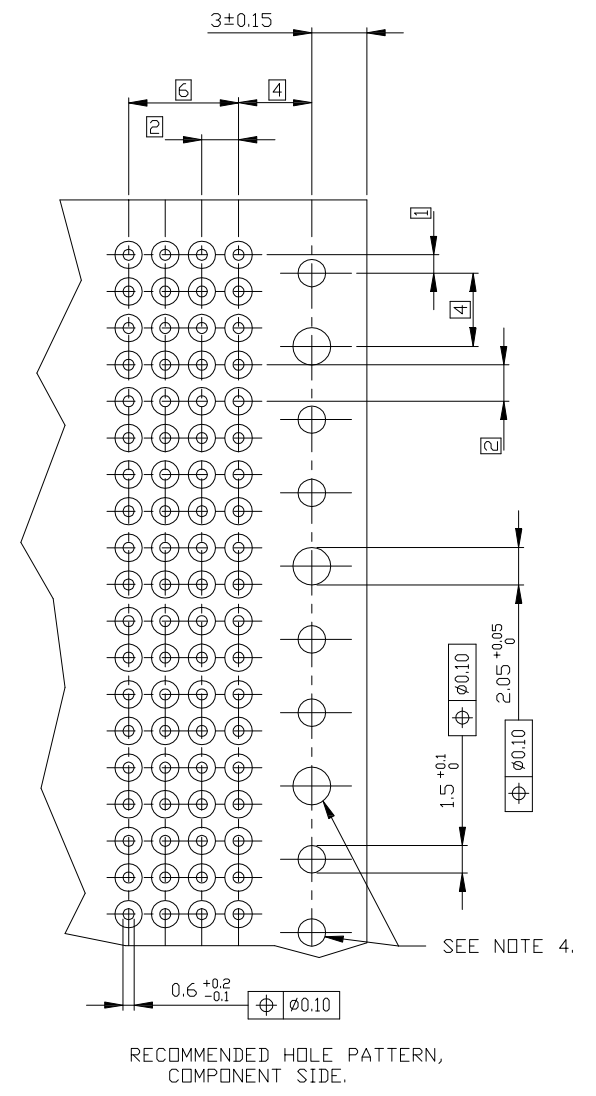
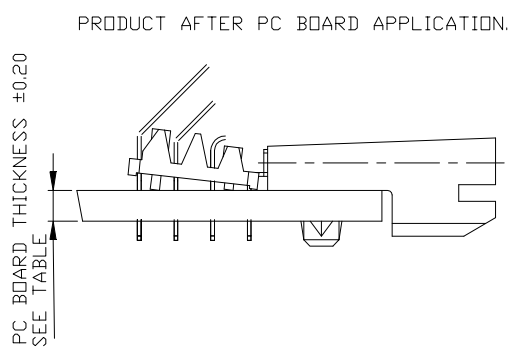
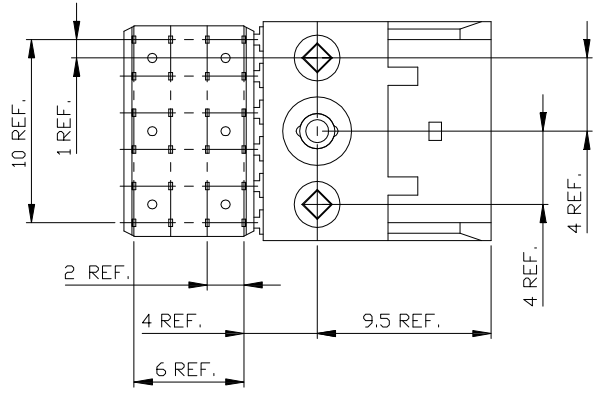
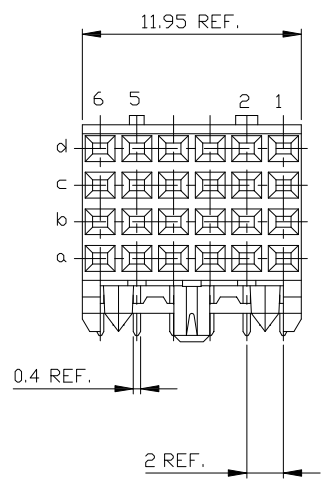
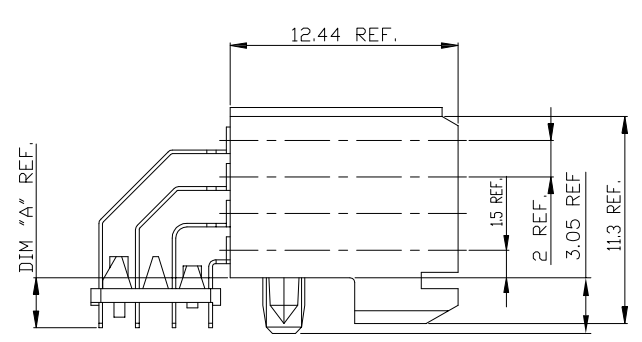
DASH NR:	PERFORMANCE LEVEL
-1YY/1YYLF	TELCORDIA CO
-2YY/2YYLF	CUSTOMER SPECIAL
-3YY/3YYLF	CUSTOMER SPECIAL

mat'l code		tolerances unless otherwise specified		CUSTOMER CDPY				
ltr	ecnr	no	date	linear	projection	title		
M						RA FEMALE SIGNAL		
				angles		12 mm PRESS PEG		
				dir	mm	product family	code	
				engr		METRAL(tn)	213	
				chr	scale	size	sheet	
				app	5:1	89035	2 of -	
sheet	revision							
index	sheet							

All rights strictly reserved. Reproduction or use in any form without written authority from the proprietor.
 Tous droits strictement réservés. Reproduction ou utilisation sans autorisation écrite du propriétaire.
 Property of F C I S.A.
 © F C I S.A.



PC BOARD VERSIONS		
PRODUCTNR.	PCB THICKNESS	DIM "A"
89035-X03	1.6	2.90
89035-X13	2.4	3.53
89035-X03LF	1.6	2.90
89035-X13LF	2.4	3.53



- NOTES:
- BODY MAT'L: LIQUID CRYSTAL POLYMER 30% GLASS
FLAME RETARDANT ACC. UL 94-V0
 - TERMINAL MATERIAL: PHOSPHOR BRONZE.
 - PLATING SOLDER TAILS 2-8 um SnPb 90-97 OR 2-8 um PURE Sn FOR LEAD FREE.
 - INDICATED HOLES ARE UNPLATED.
 - PRODUCT MARKING: PARTNUMBER & BATCH ID.
 - THIS PRODUCT MEETS EUROPEAN UNION DIRECTIVES AND OTHER COUNTRY REGULATIONS AS DESCRIBED IN GS-22-008.
 - THE HOUSING WILL WITHSTAND EXPOSURE TO 260 DEGREE PEAK TEMPERATURE FOR 10 SECONDS IN A WAVE SOLDER APPLICATION.

PLATING CONTACT AREA:	
DASH NR:	PERFORMANCE LEVEL
-1YY/1YYLF	TELCORDIA CO
-2YY/2YYLF	CUSTOMER SPECIAL
-3YY/3YYLF	CUSTOMER SPECIAL

mat'l code		tolerances unless otherwise specified		CUSTOMER CDPY		 www.fciconnection.com		
ltr	ecn	no	date	linear	projection	title RA FEMALE SIGNAL		
M				angles		12 mm PRESS PEG		
				dir	Heaven Cen	11/23/06	product family METRAL(tm)	
				engr	Collins Lu	11/23/06	code 213	
				chr	Ber Fu	11/23/06	size dwg no	
				app	Joseph Hsia	11/23/06	scale 5:1	
sheet	revision							code 89035
index	sheet							sheet 3 of -