

MATERIALS AND FINISH:

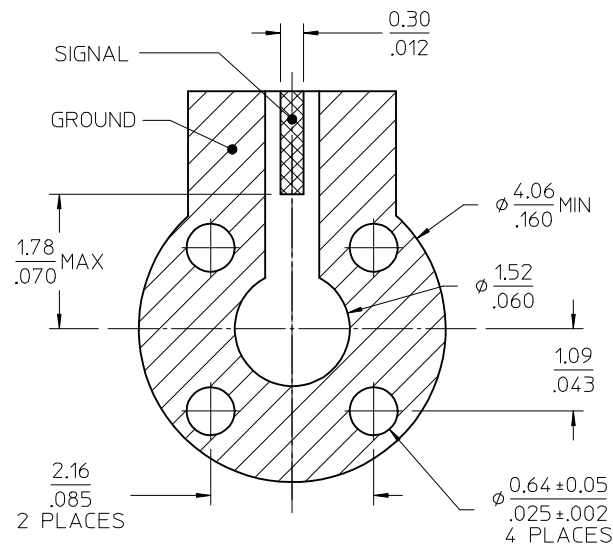
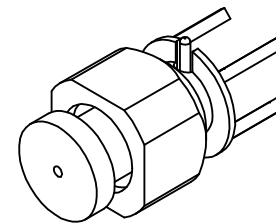
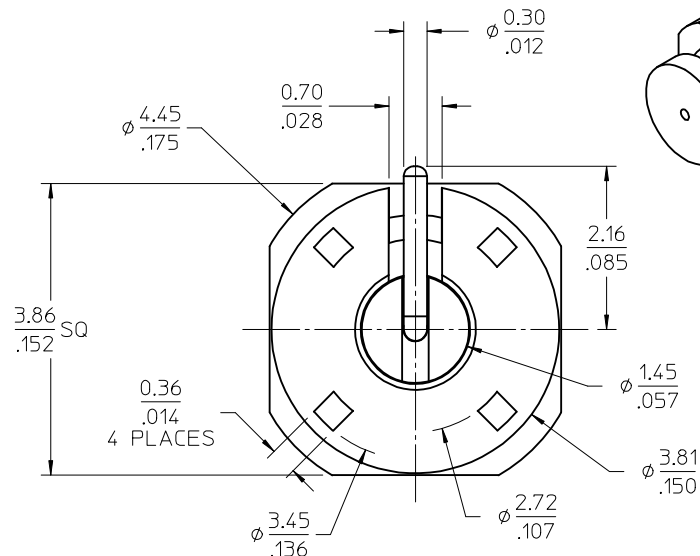
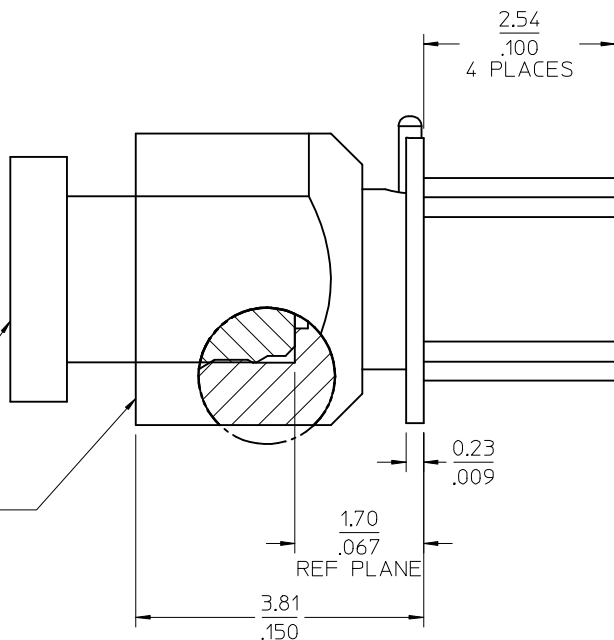
BODY: BRASS
 FINISH: GOLD 30u-in OVER
 NICKEL 100u-in

CONTACT: BERYLLIUM COPPER
 FINISH: GOLD 30u-in OVER
 NICKEL 100u-in

INSULATOR,
 ALIGNMENT PLUG: PTFE

ALIGNMENT PLUG:
 REMOVE AFTER SOLDERING
 ONTO PCB

SMPM PLUG
 INTERFACE
 (FULL DETENT)



SUGGESTED PCB FOOTPRINT

73300-0110	TRAY
PART NO.	PACKAGING

MIL-STD-348A, FIG. 328.2	SMPM PLUG INTERFACE
SPECIFICATION	DESCRIPTION

ALL DIMENSIONS ARE REFERENCE UNLESS OTHERWISE SPECIFIED

CHG:JPD ITEM 4
 ID TO 0.0136 ± 0.001
 EC NO: URF2015-0502
 DRW:BBHARADWAJ.D 2015/03/12
 CHKD:BBB 2015/03/12
 APPR:AROBERTSON 2015/03/12

QUALITY SYMBOLS
 ▼=0
 ▽=0

GENERAL TOLERANCES (UNLESS SPECIFIED)

	mm	INCH
4 PLACES ±	---	---
3 PLACES ±	---	---
2 PLACES ±	---	---
1 PLACE ±	---	---

ANGULAR ± 2 °

DRAFT WHERE APPLICABLE
 MUST REMAIN
 WITHIN DIMENSIONS

DIMENSION STYLE
 MM/IN

SCALE
 METRIC

DESIGN UNITS
 METRIC

THIRD ANGLE PROJECTION

DRAWN BY
 JLEE02

DATE
 2011/12/19

CHECKED BY
 SSS

DATE
 2012/08/21

APPROVED BY
 JWIENER

DATE
 2012/08/23

MATERIAL NO.
 SEE TABLE

DOCUMENT NO.
 SD-73300-011

SHEET NO.
 1 OF 1

SMPM PLUG FULL DETENT
 PCB VERTICAL SMT/TH
 SMPM-P/PCB EWR-4854

MOLEX INCORPORATED

THIS DRAWING CONTAINS INFORMATION THAT IS PROPRIETARY TO MOLEX INCORPORATED AND SHOULD NOT BE USED WITHOUT WRITTEN PERMISSION