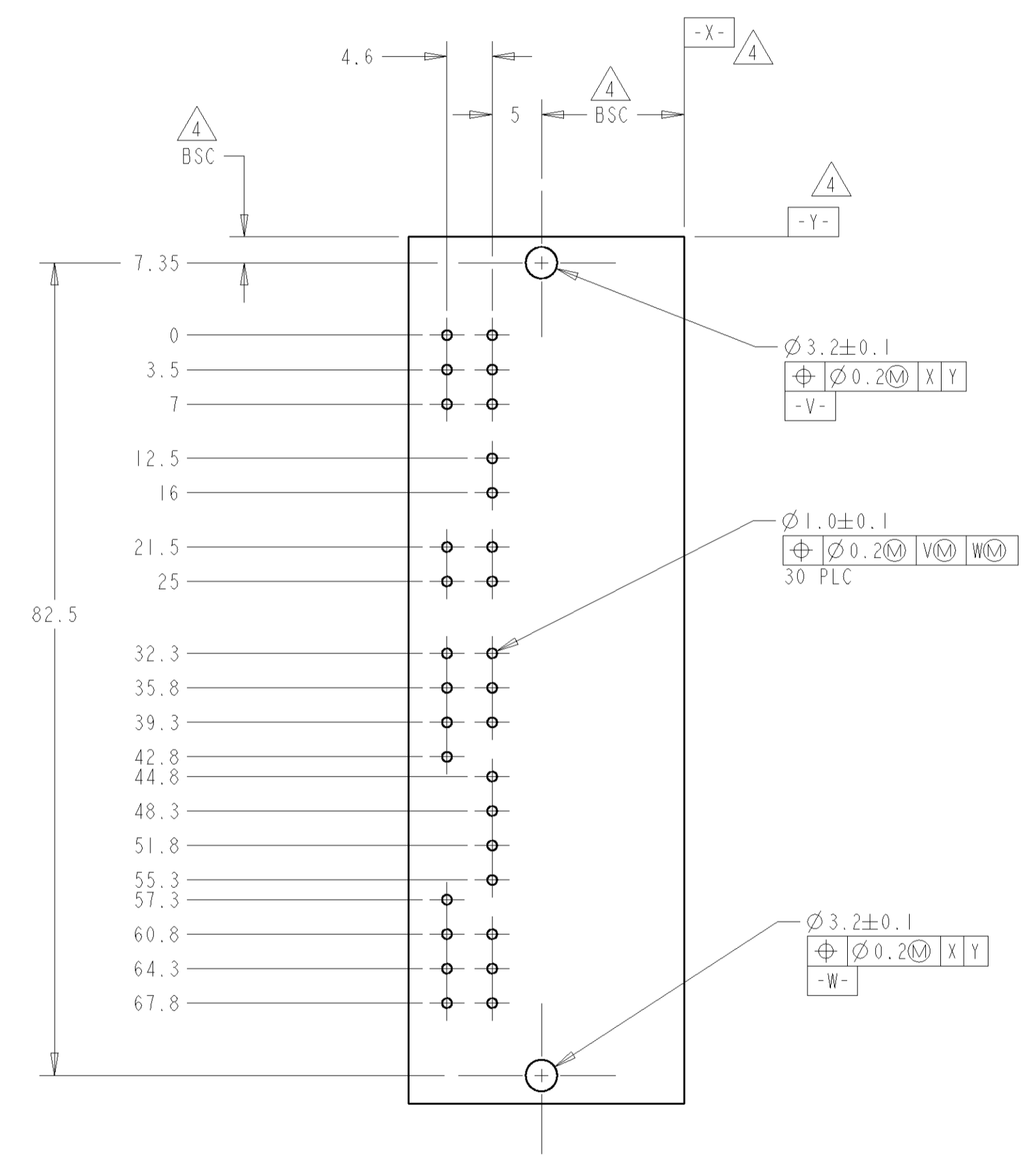
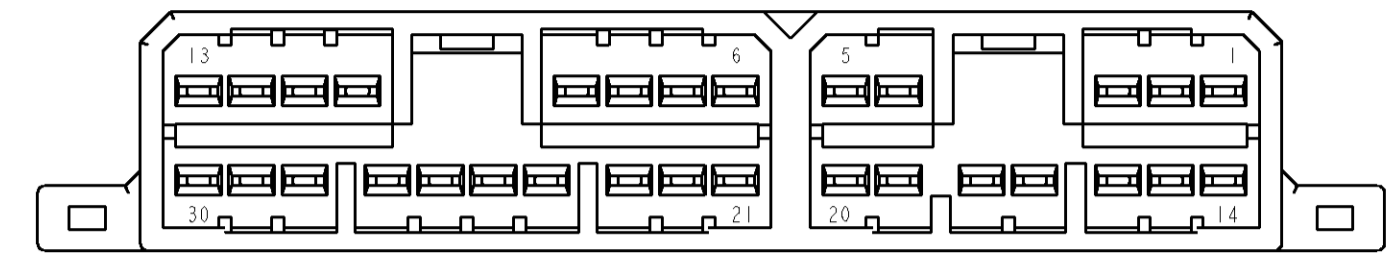
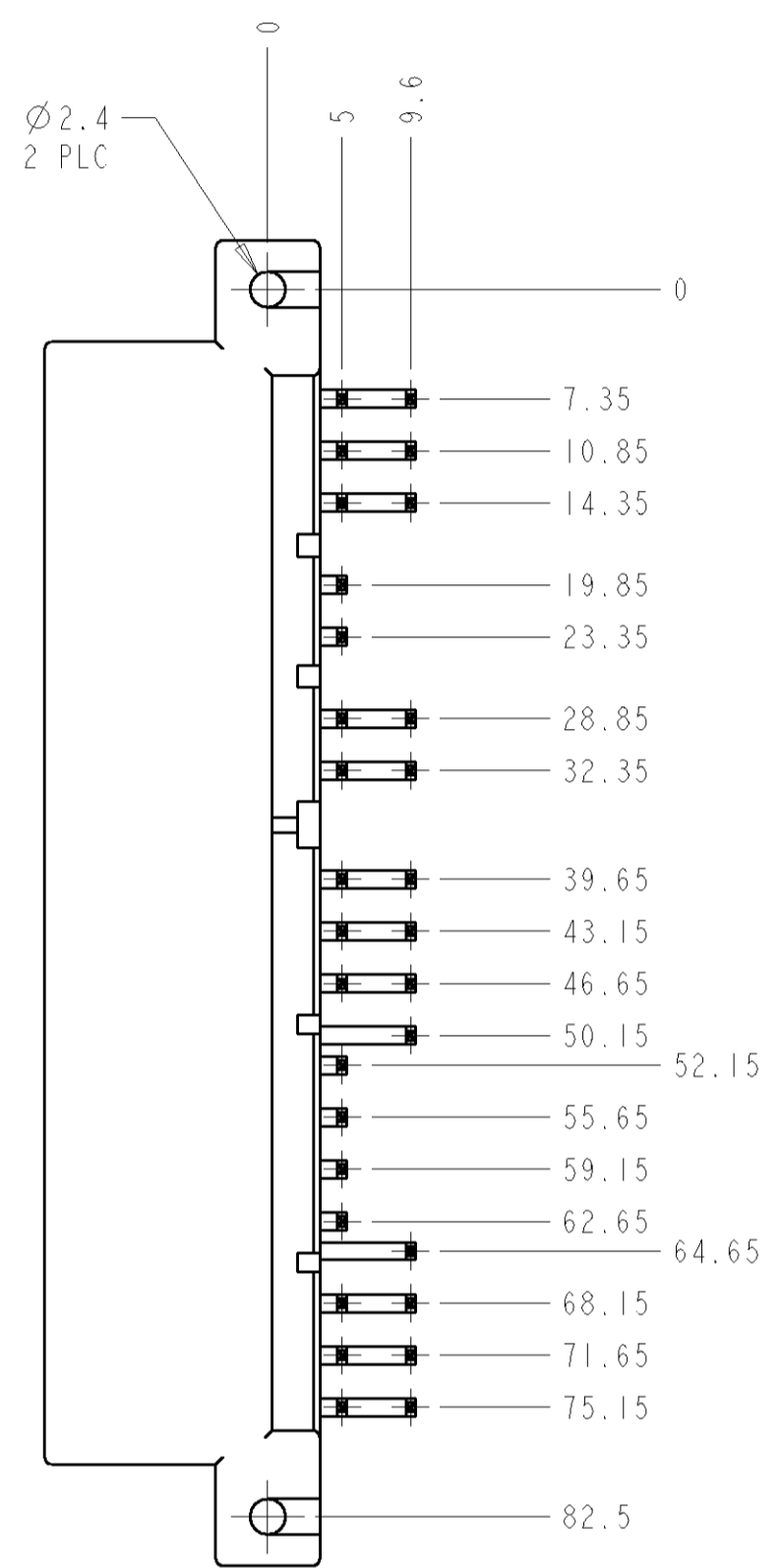
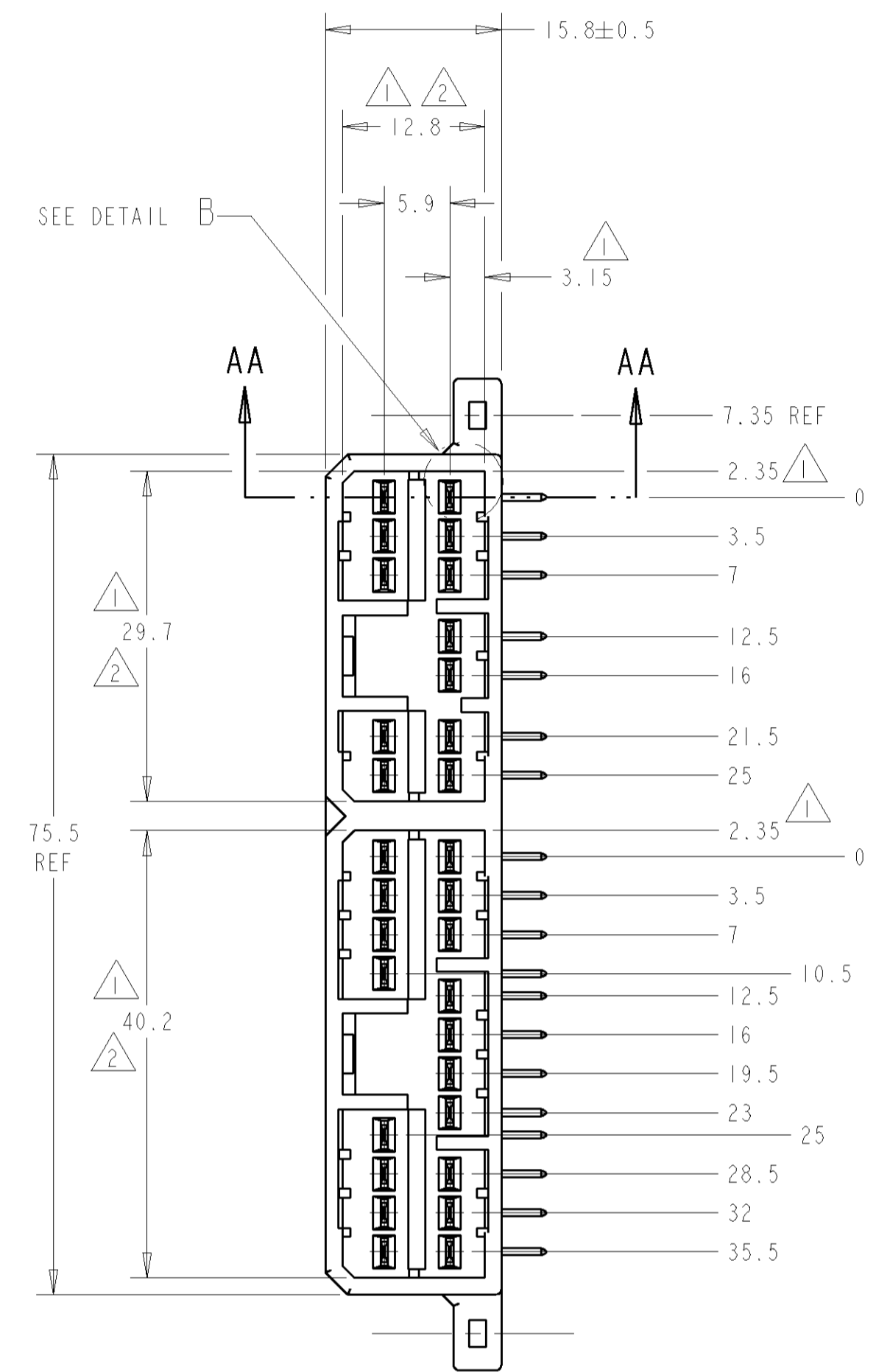
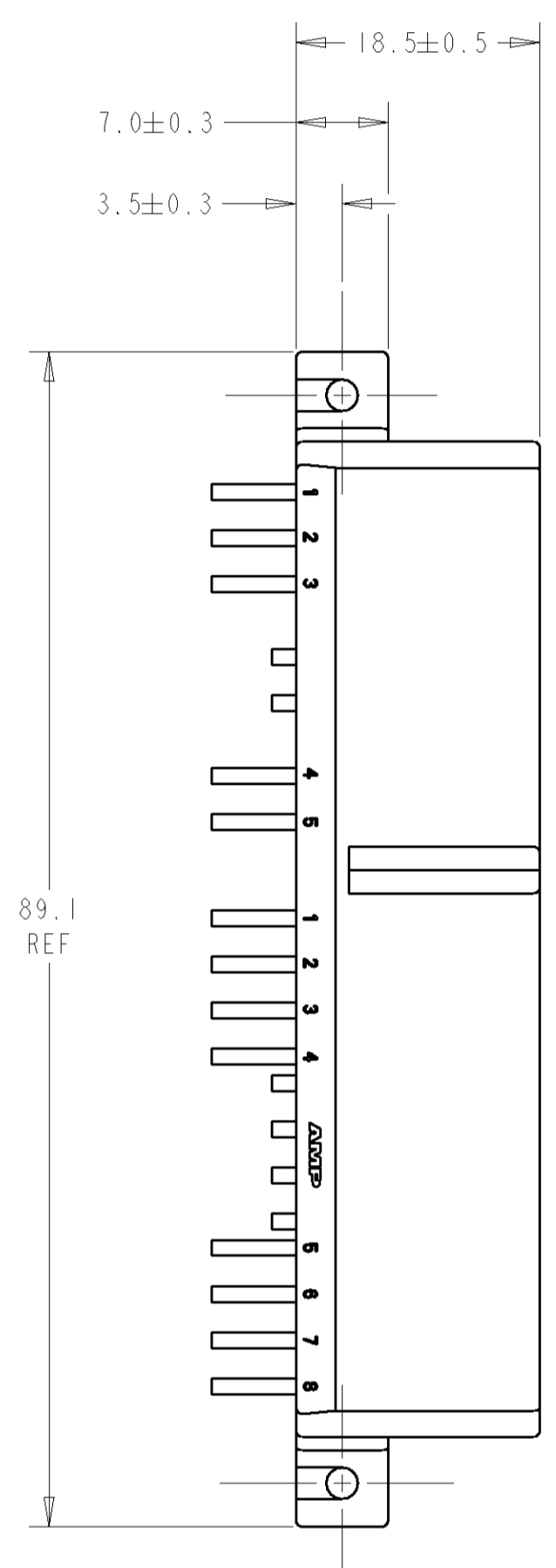
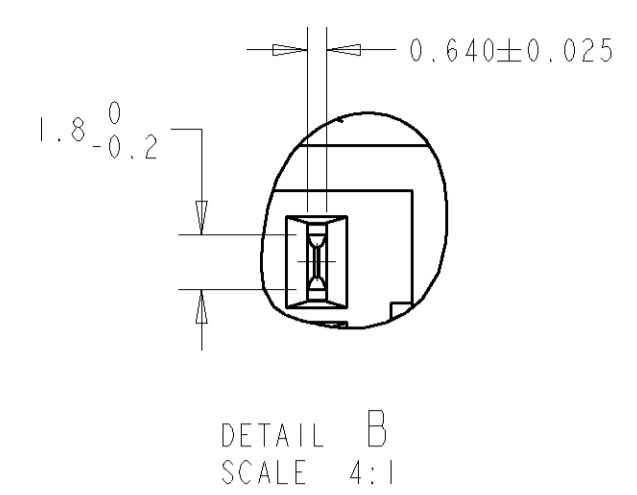
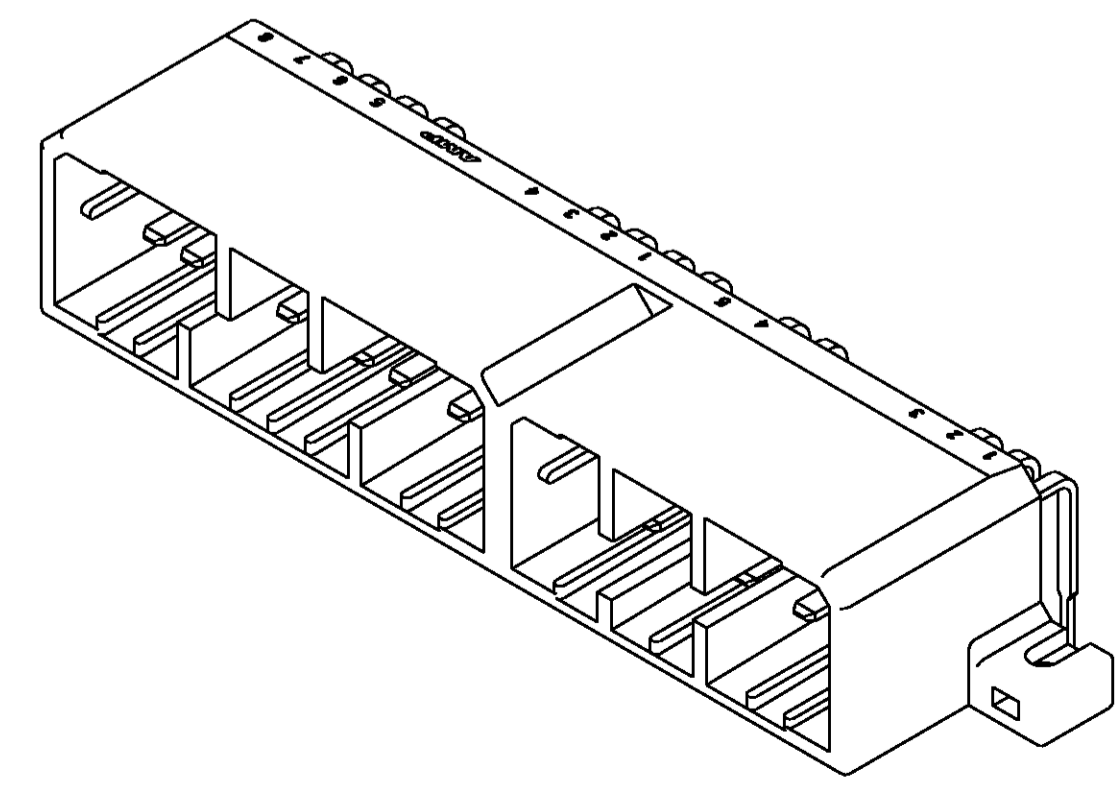
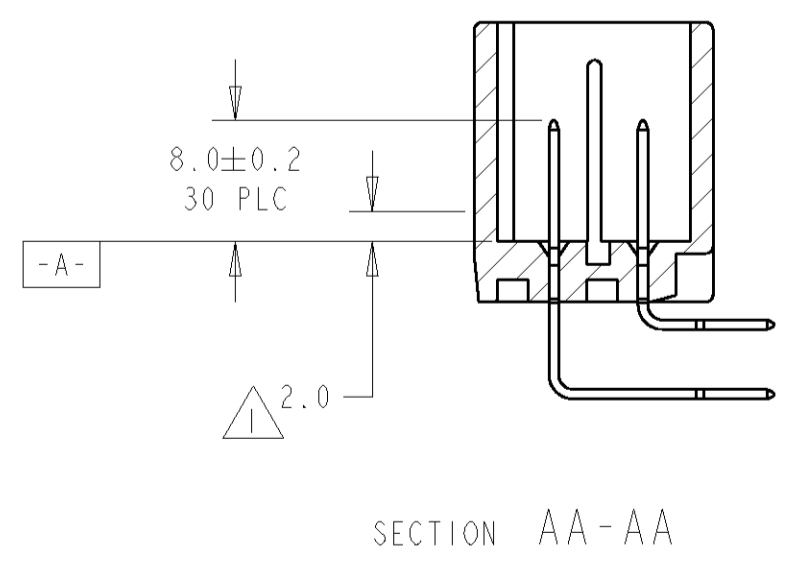
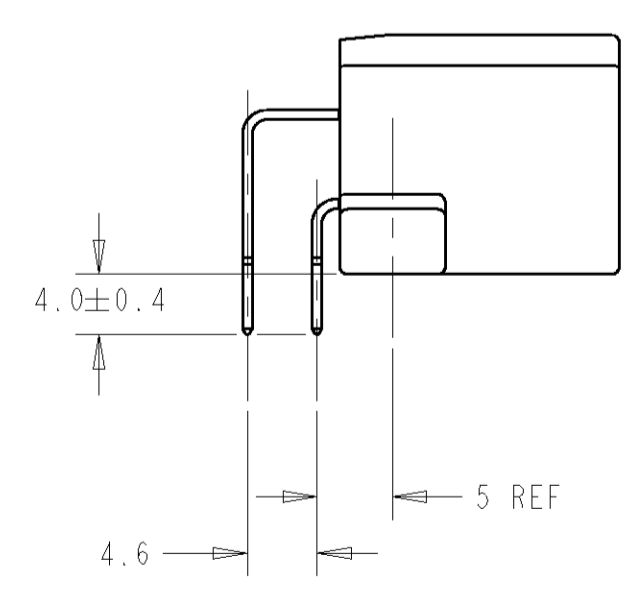


LOC	DIST	REVISIONS			
P	LTR	DESCRIPTION	DATE	DWN	APVD
0		RELEASED	11JAN2001	RGV	SA
A		REV PER EC 0X80-0244-02	01NOV2002	RGV	SSA
A1		REV PER EC 0X80-0139-03	19MAY2003	DJA	SSA
B		REVISED PER ECR-06-002241	01JUN2006	AH	SA

- △ DIMENSION MUST BE HELD BETWEEN **-A-** AND 2.0mm FROM **-A-**.
- △ TO MATE WITH PLUG HOUSING SMOOTHLY.
- 3. USE M3 TAPPING SCREW JIS B1115 OR 1122 (TYPE 2 OR 4) BEFORE SOLDER.
- △ DATUMS AND BASIC DIMENSIONS ESTABLISHED BY CUSTOMER.
- 5. MATING PLUG PART NUMBERS ARE:
173853 (18 POSITION)
173851 (12 POSITION)
- 7. CIRCUIT NUMBERS:



P.C. BOARD LAYOUT
 RECOMMENDED BOARD THICKNESS 1.60±0.15mm
 TOLERANCES ±0.1



CONTACT NUMBER	MATERIAL	FINISH	MATERIAL	COLOR	PART NO
-	BRASS	POST TIN	PBT	GREEN	4-638977-2
-	BRASS	POST TIN	PBT	WHITE	4-638977-1
1 - 30	BRASS	GOLD	PBT	GREEN	2-638977-4
1 - 30	BRASS	GOLD	PBT	WHITE	2-638977-1
-	BRASS	PRE-TIN	PBT	GRAY	638977-6
-	BRASS	PRE-TIN	PBT	GREEN	638977-4
-	BRASS	PRE-TIN	PBT	WHITE	638977-1

SELECTION	CONTACT	HOUSING	PART NO
SELECTIVE GOLD			
CONTACT NUMBER			

DIMENSIONS:	TOLERANCES UNLESS OTHERWISE SPECIFIED:	DWN	11JAN2001	Tyco Electronics Harrisburg, PA 17105-3608
mm	0 PLC ±0.3	DR	11JAN2001	
	1 PLC ±0.3	CHK	11JAN2001	
	3 PLC ±0.30	APPD	11JAN2001	
	5 PLC ±	NAME		30 POSITION CAP HOUSING ASSEMBLY, .070 SERIES MULTILOCK I/O CONNECTOR
	4 PLC ±	PRODUCT SPEC		
	ANGLES ±1°	APPLICATION SPEC		
MATERIAL SEE TABLE	FINISH SEE TABLE	WEIGHT		SIZE CAGE CODE DRAWING NO RESTRICTED TO
				A1 00779 C=638977
		CUSTOMER DRAWING		SCALE 2:1 SHEET 1 OF 1 REV B