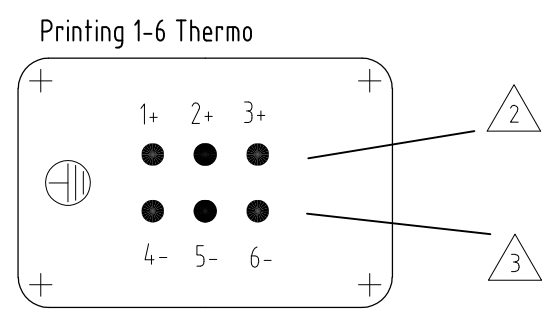
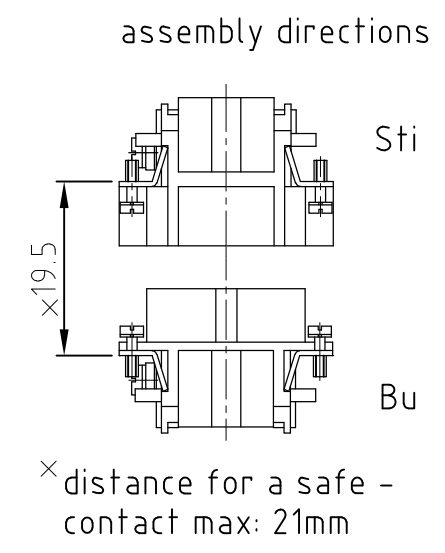
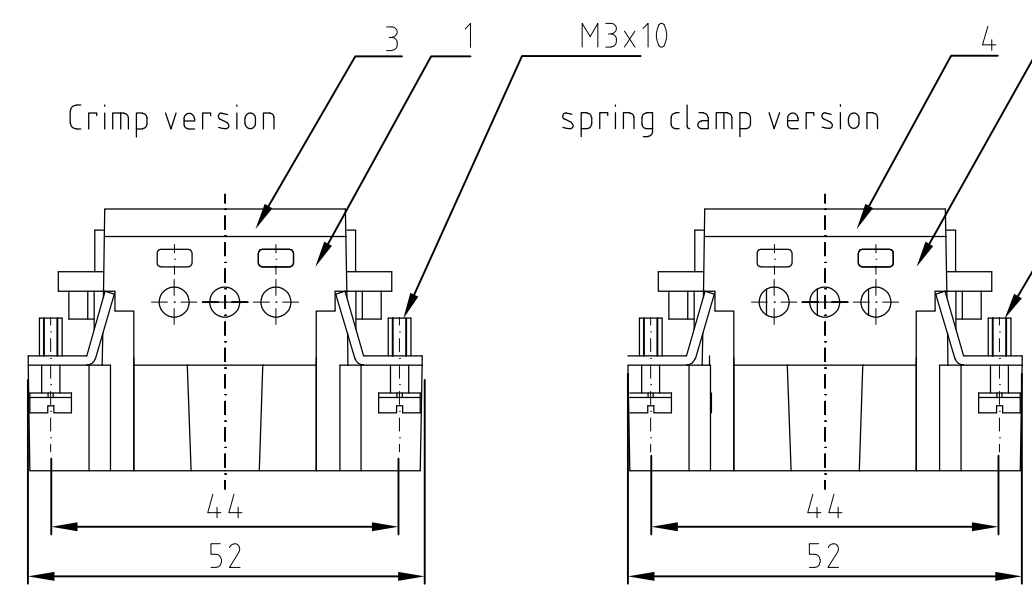
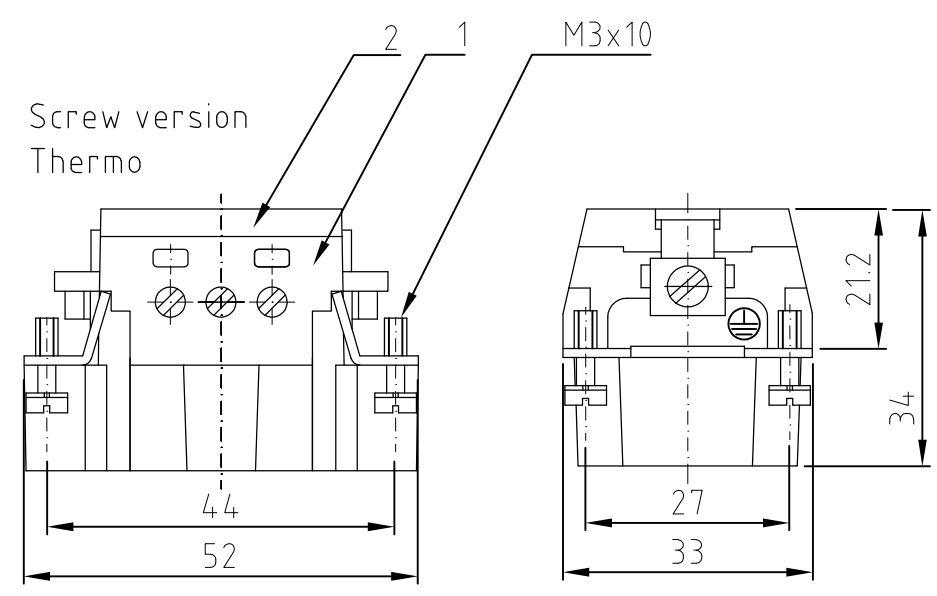


4

3

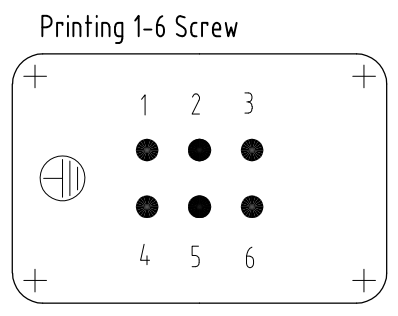
2

1



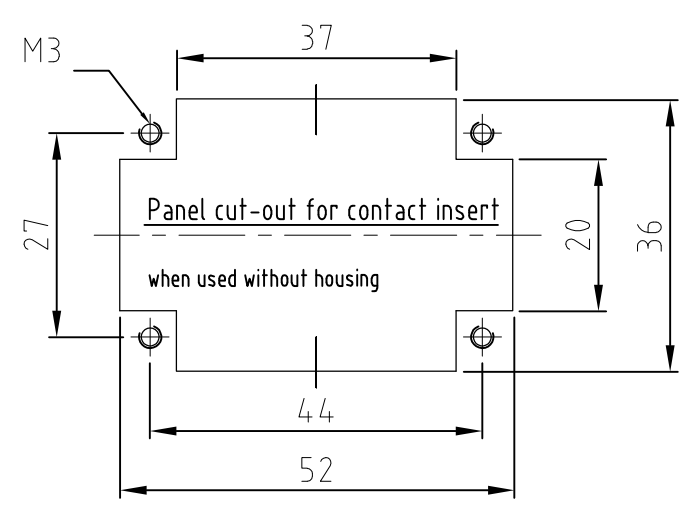
Contact arrangement

view from termination side



NOTES:

- 1 SUITABLE CRIMP CONTACTS: SERIES HE/HA OUTER DIMENSIONS OF INSULATION: MAX. Ø3,2 MM
- 2 SUITABLE HOOD SIZE 5; 7; 9; 11; SERIES HA; HD SUITABLE INSERTION AND EXTRACTION TOOL: SCREWDRIVER 0,5x3 DIN 5264
- 3 Strip lenght: Screw conection 10mm Spring clamp conection 10mm Crimp conection 7.5mm
- 4 STANDARDS: DIN EN 61984; DIN EN 60664-1
- 5 PACKAGING: 5 SETS IN A CARTON, PRE-MOUNTED
- 6 SPECIAL PACKAGING: Krauss-Maffei PACKAGING UNIT: 150 PIECES



		1			cover spring clamp version		light grey	4			
			1		cover crimp version		light grey	3			
1	1			1	cover screw version		light grey	2			
1	1	1	1	1	pin insert		light grey	1			
0-2	0-1	7-1	2-3	1-7	1-1	DESCRIPTION	MATERIAL	COLOR	ITEM NO. POS.	NOTES	
△6	△5	△5	△5	△5	△5	<p>THIS DRAWING IS A CONTROLLED DOCUMENT FOR AMP INCORPORATED. IT IS SUBJECT TO CHANGE AND THE CONTROLLING ENGINEERING ORGANIZATION SHOULD BE CONTACTED FOR THE LATEST REVISION. DIESES ZEICHNUNGSDOKUMENT WIRD DURCH AMP INCORPORATED KONTROLLIERT. AENDERUNGEN, DIE DEM TECHNISCHEN FORTSCHRITT DIENEN, SIND VORBEHALTEN. DEN JEWEILS LETZTGUELTIGEN AENDERUNGSSTAND ERFAHREN SIE AUF ANFRAGE.</p> <p>DIMENSIONS: DIMENSIONEN: mm</p> <p>TOLERANCES UNLESS OTHERWISE SPECIFIED: ALLGEMEINTOLERANZEN</p> <p>ISO 8015</p> <p>ISO 2768 - mH - E</p> <p>DIN 16901 - 14.0</p> <p>0 PLC #</p> <p>1 PLC #</p> <p>2 PLC #</p> <p>3 PLC #</p> <p>ANGLES /WINKEL #</p> <p>FINISH /OBERFLAECHE/FARBE</p>	DWN Gräf 16.02.1999	<p>HTS Elektrotechnik 53819 Neunkirchen, Germany</p>			
							CHK Schweiger 18.02.1999				
							APVD -		NAME		
							PRODUCT SPEC -		Male insert		
							APPLICATION SPEC -		Stifteinsatz HE.6.STI		
							WEIGHT -		SIZE A3	CAGE CODE 00779	DRAWING NO. 1103634
HE.6.Sti.S.KM	HE.6.Sti.S-AU	HE.6.Sti.SC	HE.6.Sti.C	HE.6.Sti.S-T	HE.6.Sti.S	CUSTOMER DRAWING	/KUNDENZEICHNUNG	SCALE MASSSTAB 1:1	SHEET BLATT 1	OF VON 1	REV. A6