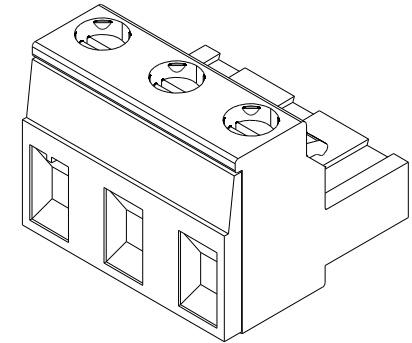
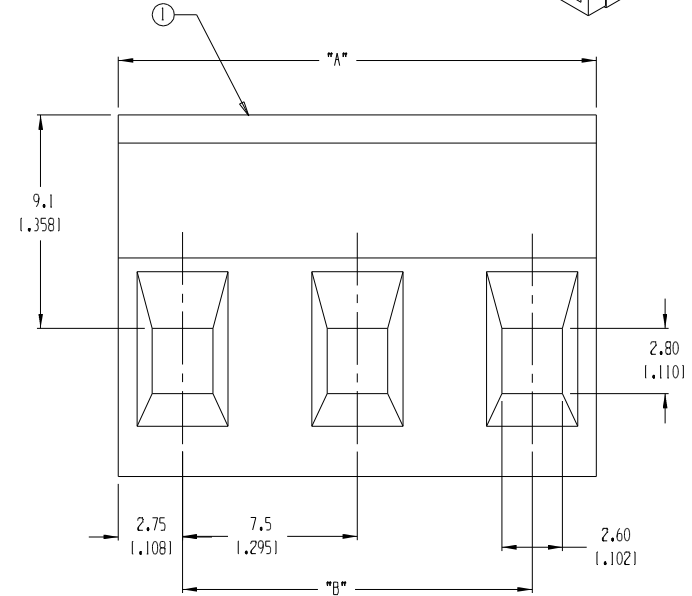
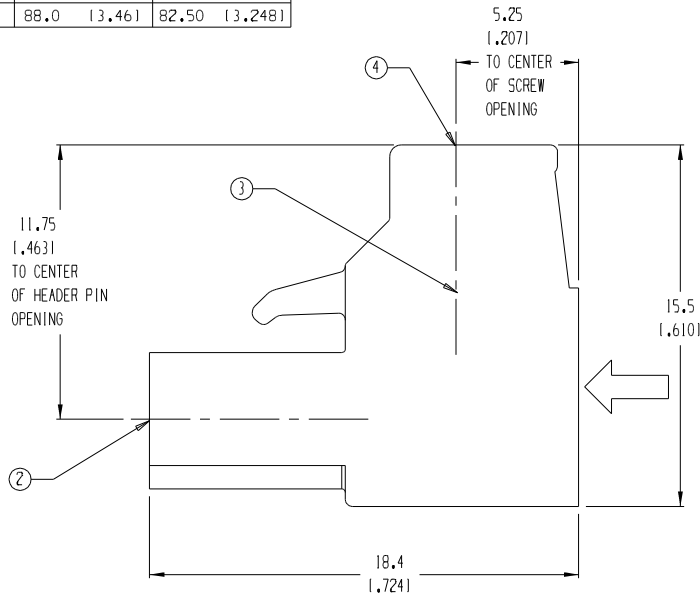


MATERIAL NUMBER	NUMBER OF CIRCUITS "XX"	A		B	
039371-0002	2	13.0	1.511	7.50	1.295
039371-0003	3	20.5	10.811	15.00	1.591
039371-0004	4	28.0	11.101	22.50	1.886
039371-0005	5	35.5	11.401	30.00	1.181
039371-0006	6	43.0	11.691	37.50	1.476
039371-0007	7	50.5	11.991	45.00	1.772
039371-0008	8	58.0	12.281	52.50	1.20671
039371-0009	9	65.5	12.581	60.00	1.23621
039371-0010	10	73.0	12.871	67.50	1.26571
039371-0011	11	80.5	13.171	75.00	1.29531
039371-0012	12	88.0	13.461	82.50	1.32481



AUX. VIEW  
SCALE 3:1



- NOTES:
1. MATERIAL: SEE TABLE
  2. FINISHES: SEE TABLE
  3. PRODUCT SPECIFICATION: NOT REQUIRED
  4. PACKAGING: NOT REQUIRED
  5. MATES WITH: 7.5MM HEADER
  6. "XX" REFERS TO THE NUMBER OF CIRCUIT POSITIONS

ITEM	QTY.	DESCRIPTION	MATERIAL	FINISH
4	XX	SCREW	COPPER-ALLOY	NICKEL-PLATED
3	XX	CAGE CLAMP	COPPER ALLOY	NICKEL-PLATED
2	XX	TERMINAL	PHOS.BRONZE	TIN-PLATED
1	1	HOUSING	POLYIMIDE	BLACK

EC NO. ECN# 3846  
 DRWN: CY 09-03-04  
 CH'K:  
 APPR:  
 B

QUALITY SYMBOLS  
 MAJOR  
 CRITICAL  
 SPC

GENERAL TOLERANCES:  
(UNLESS SPECIFIED)

	mm	INCH
4 PLACES	$\pm 0.038$	$\pm 0.0015$
3 PLACES	$\pm 0.038$	$\pm 0.005$
2 PLACES	$\pm 0.13$	$\pm 0.01$
1 PLACE	$\pm 0.3$	

ANGULAR:  $\pm 2^\circ$

DRAFT WHERE APPLICABLE MUST REMAIN WITHIN DIMENSIONS

SCALE 5:1  
 DESIGN UNITS  
 mm  INCH  
 DRAWN BY & DATE  
 W. HOWARD 07/21/03  
 CHECKED BY & DATE  
 R. KEMP 07/22/03  
 APPROVED BY & DATE  
 P. WALTZ 07/22/03  
 CAD FILENAME  
 3705XX

THIRD ANGLE PROJECTION  
 mm  INCH  mm ONLY  
 INCH  mm ONLY

TITLE:  
 7.5MM PLUG, RA, BLACK

**MOLEX INCORPORATED**

MATERIAL NO. SEE CHART	DRAWING NO. SD-39371-001	SHEET NO. 1 OF 1
---------------------------	-----------------------------	---------------------

THIS DRAWING CONTAINS INFORMATION THAT IS PROPRIETARY TO MOLEX INCORPORATED AND SHOULD NOT BE USED WITHOUT WRITTEN PERMISSION.

SIZE B

F  
E  
D  
C  
B  
A