



**Mallory Sonalert Products, Inc.**

Part #: **JT028-RG-CD**

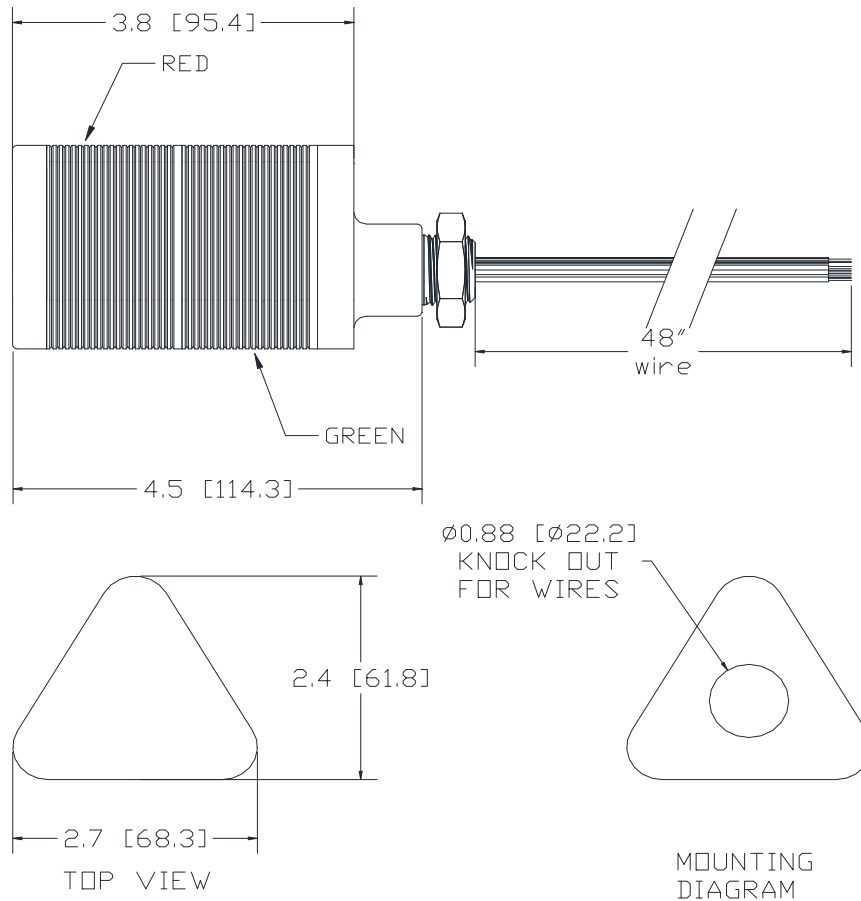
**Sales Outline Drawing**

Revision: **B**

**Specifications:**

Stack Number:	1	2		
LED Color:	RED	GREEN		
Connection Wires:	Red and Brown	Green and Brown		
LED Current Draw:	<50mA	<40mA		
Rated Voltage:	24 VAC/DC			
Operating Voltage:	20-28 VAC/DC			
Total Max Current:	<90mA			
Operating Temperature:	-25° ~ +60°C			
Lens Color:	Opaque White			
Material:	ABS FR15U			
Mounting Method:	Direct Mount using 1/2" NPT Stainless Steel Pipe and Nut			
Weight Typical (g):	210			
NEMA 12:	Approved			
Options:	Please contact factory.			

**Dimensions:** Inches (mm) **cUL Recognized** **ROHS Compliant**



**LED OPERATION:** | CONNECT STACK COLOR WIRE TO POWER AND BROWN WIRE TO POWER.