

Ø 32 mm 3.9 Watts 3.9 W with leads Part number 82860017



- Nominal power : 3 W
- Versions with tag or lead connection
- Versions without filter or with standard filter or class B filter built into the motor
- Versions with or without encoder, 1 or 5 pulses per revolution, built into the motor

Part numbers

| | Type | Type | Voltage | References |
|----------|------------------|-------|---------|-----------------|
| 82860017 | 3.9 W with leads | 82860 | 12 V | Varistor filter |

Specifications

No-load characteristics

| | |
|-------------------------|------|
| Speed of rotation (rpm) | 5000 |
| Absorbed power (W) | 1,2 |
| Absorbed current (A) | 0,1 |

Nominal characteristics

| | |
|------------------------------------|------|
| Speed (rpm) | 3700 |
| Torque (mNm) | 7,7 |
| Usable power (W) | 3 |
| Absorbed power (W) | 6,2 |
| Absorbed current (A) | 0,43 |
| Gearbox case temperature rise (°C) | 50 |
| Efficiency (%) | 48 |

General characteristics

| | |
|---|------------|
| Insulation class (conforming to IEC 85) | B (130 °C) |
| Protection rating | IP40 |
| Max. output power (W) | 3,9 |
| Start torque (mNm) | 30 |
| Starting current (A) | 1,5 |
| Resistance (Ω) | 8 |
| Inductance (mH) | 10 |
| Torque constant (Nm/A) | 0,0214 |
| Electrical time constant (ms) | 1,3 |
| Mechanical time constant (ms) | 36 |
| Thermal time constant (mn) | 8 |
| Inertia (g.cm ²) | 19 |
| Weight (g) | 96 |
| Number of segments | 3 |
| Service life (h) | 3000 |
| Sintered bronze bearings | ■ |
| Leads connection 250 mm | AWG24 |

Encoder characteristics

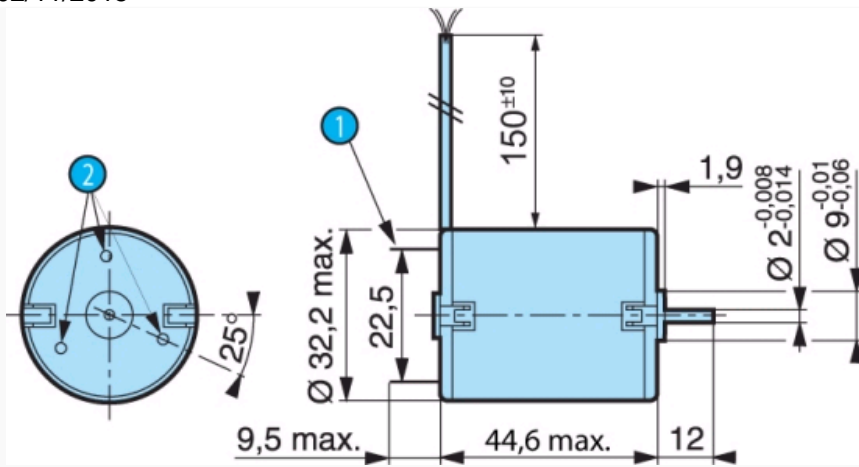
| | |
|---------------------|---|
| Connection | - |
| Output current (mA) | - |
| Supply (V) | - |

Made to order products, available on request

- Other supply voltages
- Motor with 2 ball bearings
- Shaft lengths at front and/or rear
- Lead outputs or radial tag terminals
- Special interference suppression
- Encoder : 5 pulses/rev

Dimensions (mm)

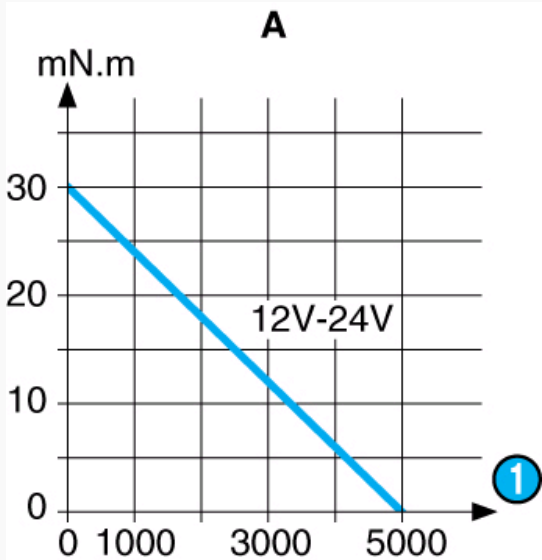
With encoder



| N° | Legend |
|----|---|
| 1 | 2 tags NFC 20 - 120 ; series 2.8 x 0.5 |
| 2 | 3 holes at 120° over Ø 26 mm : use self-tapping M2.2 screws ; screw depth max. 6 mm |

Curves

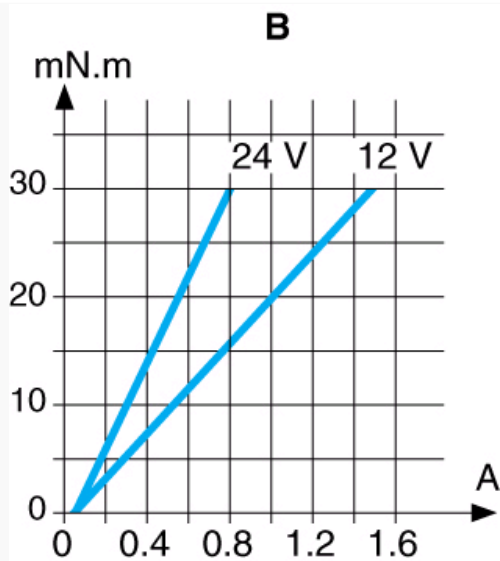
82860



| N° | Legend |
|----|----------------------------|
| 1 | rpm |
| | Torque/nominal speed curve |

Curves

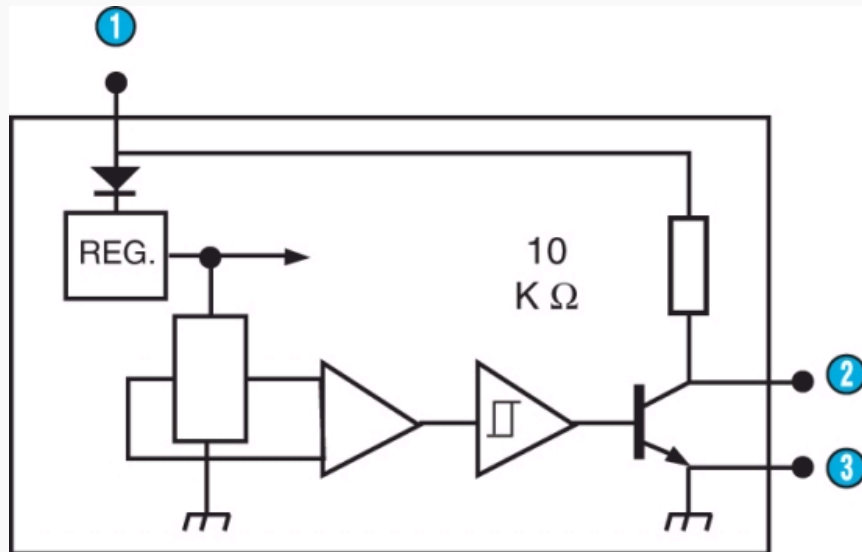
82860



| N° | Legend |
|----|----------------------|
| 1 | Torque/current curve |

Connections

Encoder



| N° | Legend |
|----|--|
| 1 | Brown : +5 → +24 V DC (encoder power supply) |
| 2 | Yellow : Signal output |
| 3 | Blue : 0 V DC (power ground supply) |

Product adaptations



- Special output shaft
- Pinion on output shaft
- Special supply voltage
- Special cable length
- Special ball bearings
- Special mounting plate
- Customised electronics
- Special connectors
- Shorter 1 W motor