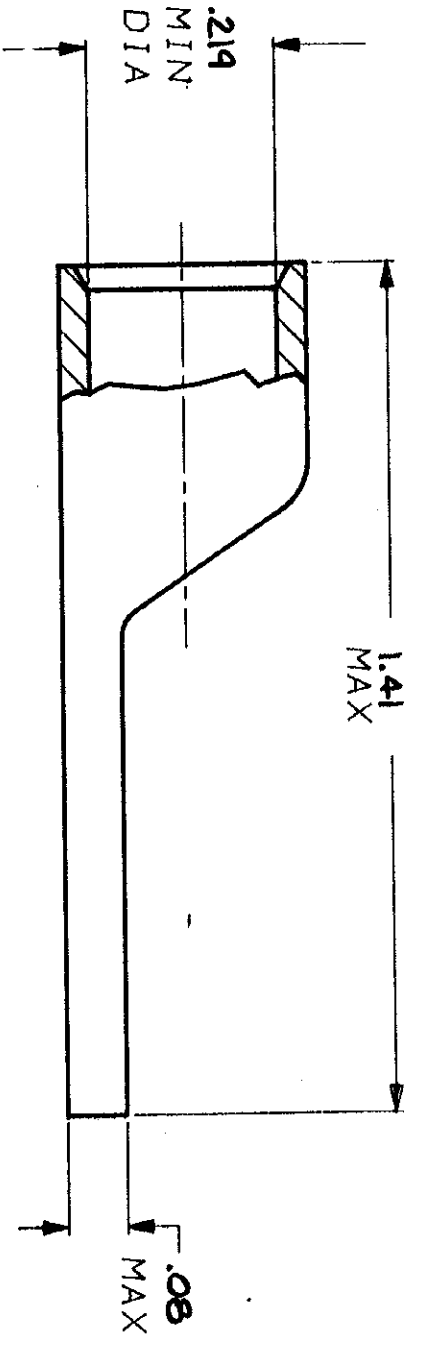
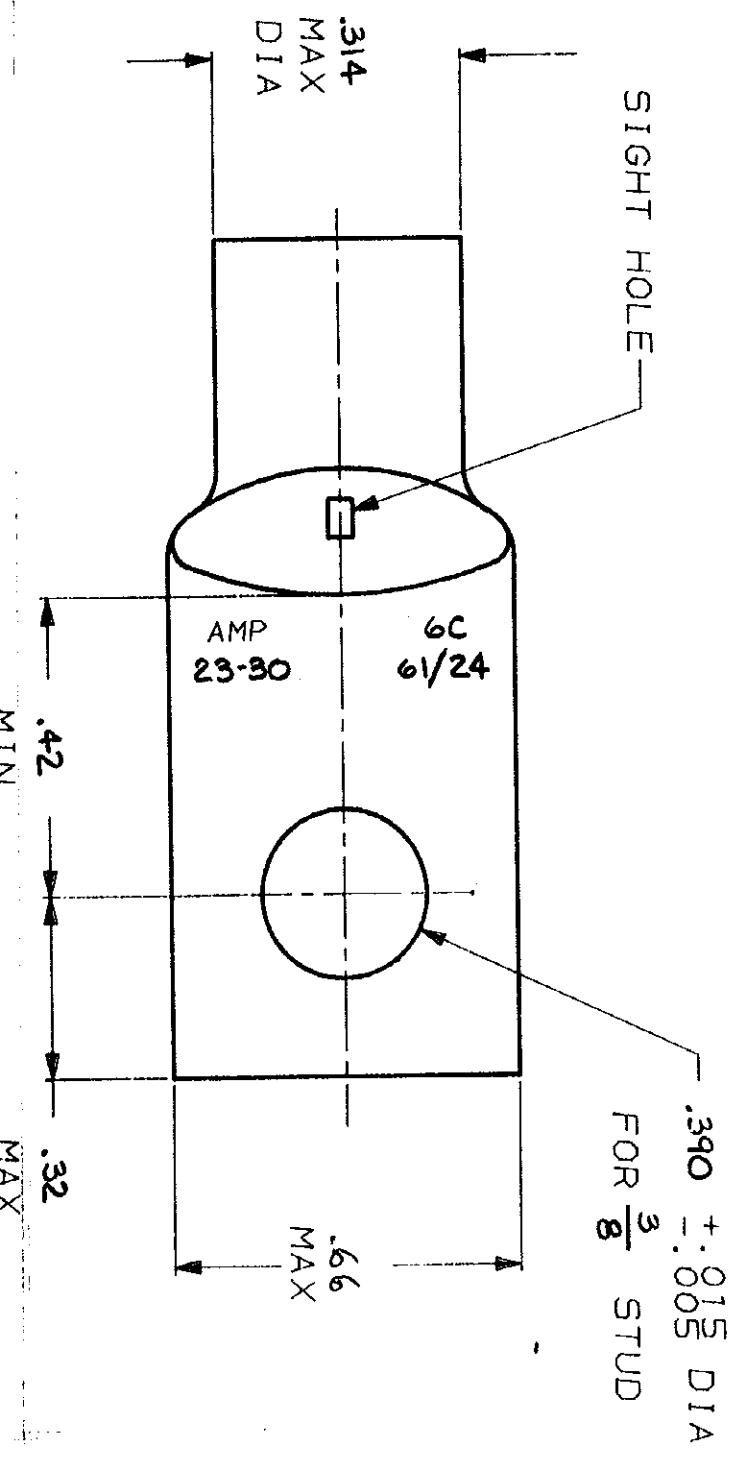


DRAWING MADE IN THIRD ANGLE PROJECTION
 THIS DRAWING IS UNPUBLISHED. RELEASED FOR PUBLICATION
 © COPYRIGHT 19 BY AMP INCORPORATED, HARRISBURG, PA. ALL INTERNATIONAL RIGHTS RESERVED. AMP PRODUCTS MAY BE COVERED BY U.S. AND FOREIGN PATENTS AND/OR PATENTS PENDING.

LOC 6
 DIST 86

REV	DATE	APPROVED	DESCRIPTION
1	6/9/86	<i>[Signature]</i>	REV & REDRAWN PER G-2161
2	3/21/90	DKS	REV PER G-5397



1. CIRCULAR MIL AREA RANGE: 20,800 - 33,100

UNLESS OTHERWISE SPECIFIED DIMENSIONS ARE IN INCHES TOLERANCES ON: 2 PL DEC # - 3 PL DEC # - ANGLES # -		DR. WAREHAM 6/9/86	NAME: TERMINAL, AMPPOWER, WIRE SIZE: 6 AWG	
MATERIAL: ANNEALED COPPER ASTM B-152		CHK: <i>[Signature]</i> 6-10-86	SIZE: B	FSCM NO: 00779
FINISH: TIN PLATE .000150 MIN THK MIL-T-10727		APPR: <i>[Signature]</i>	SCALE: NTS	DRAWING NO: 328144
APPLICATION SPEC: .014 LB		PRODUCT SPEC:	SHEET: 1 OF 1	

PART NO
328144