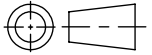
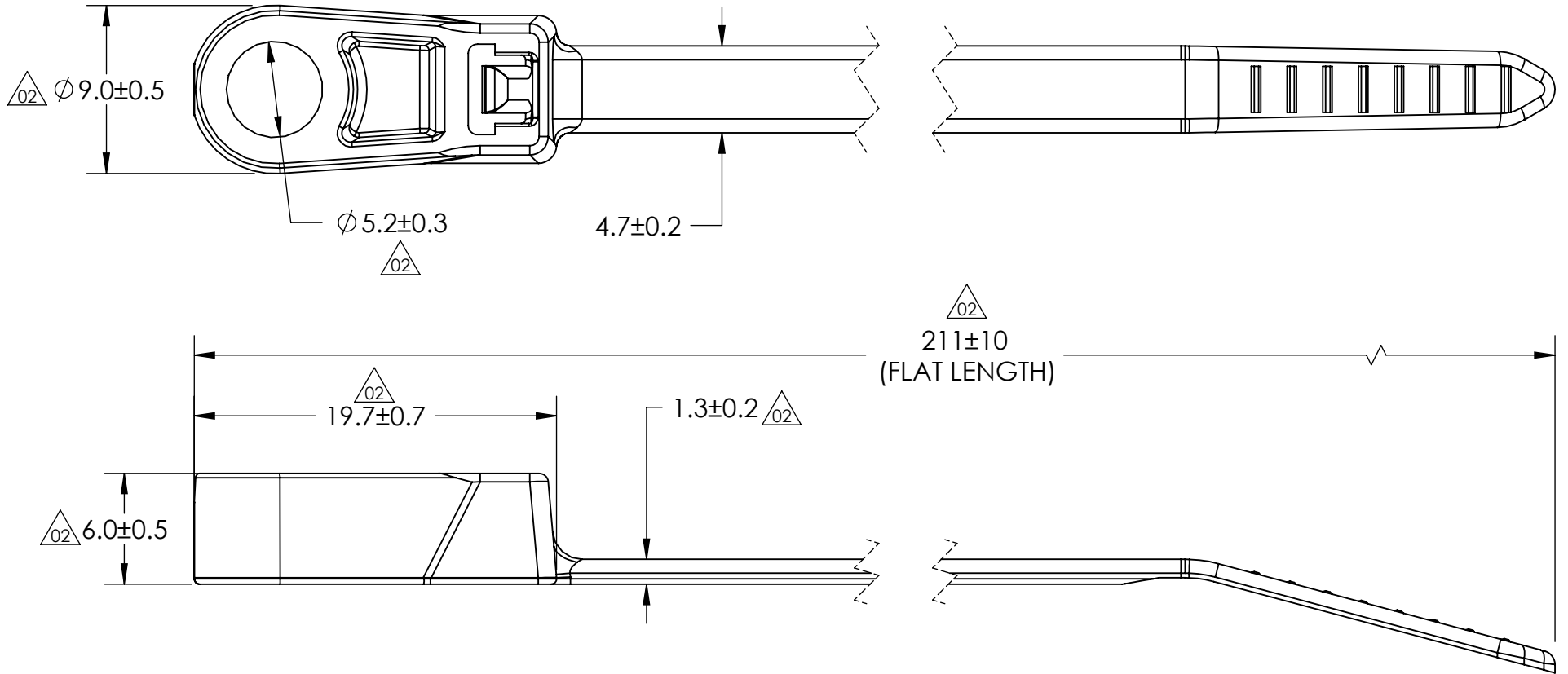


SW2009



Revision level		Revision Record	Changed	Date	Approved	Date
Drawing	Part					
02	A	SEE ECN# 012345	WPT	04/15/2013	WPT	04/18/2013



Cable Range (mm)	Min Loop Tensile Strength (N)
1.5 to 45	225

Material PA66HS	Units: millimeters	<p>The copyright of this drawing is reserved by HellermannTyton. It is issued on condition that it is not reproduced, copied, or disclosed to a third party, either wholly or in part, without the consent of HellermannTyton.</p>	Drawn	JJP	12/17/2009	Article/Type-No	T50MRX	Scale	3:1	
	Tolerance defined on each dimension 		Approved			Title	T50R CABLE TIE WITH REINFORCED SCREW MOUNT	Project Number	PRP 09-0329	
			HellermannTyton North America Email: corp@htamericas.com Web: www.hellermann.tyton.com			Drawing-No	Production : Phase		Format	AH
						CT09-0329-003CST			Sheet	1/1