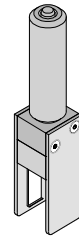


**Backplane
Power Module
Removal Tool**



**Application Tooling
Specification Sheet**



Order No. 62100-1100

FEATURES

- This tool is used to remove the backplane power module insulator from power contacts in a printed circuit board
- To remove power contacts from a printed circuit board use tool 62100-1200

SCOPE

Products: *HDM® Backplane Power Module. See Product List below for specific part numbers. *HDM® is a registered trademark of Teradyne, Inc.

Product List

The following is a partial list of the product order numbers and their specifications this tool is designed to run. Updates to this list are available on www.molex.com.

Connector Series Number	Assembly Order Number					
73656	73656-0000	73656-0001	73656-0180	73656-0181	73656-0190	73656-1000
	73656-1001	73656-2000	73656-2001	73656-5000	73656-5001	73656-9997
	73656-9998	73656-9999				

DESCRIPTION

The HDM® Backplane Power Module Removal Tool is designed to remove the backplane power module insulator from the power contacts in the printed circuit board. This tool measures 19mm (0.75 in.) wide by 87mm (3.43 in.) deep by 158mm (6.22 in.) long and weighs about .22kg (7.7 oz).

CAUTION: Make sure that all parts of the removal tool will clear the components on the printed circuit board during use. The force of this tool can damage any components placed under it.

Tape may be placed over circuit traces or on the bottom of the tool standoffs for added protection of the printed circuit board.

Operation

1. Turn the adjusting knob counter-clockwise (CCW) until the lifting fingers are exposed below the end support plates. See Figure 1.

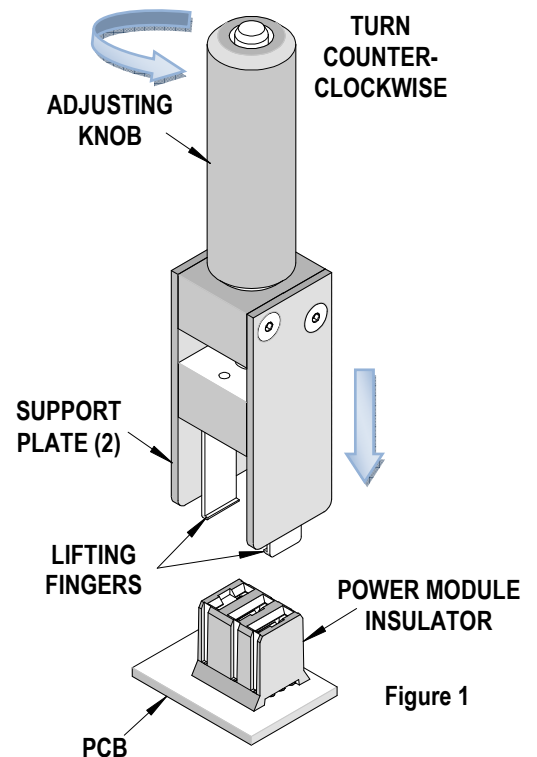
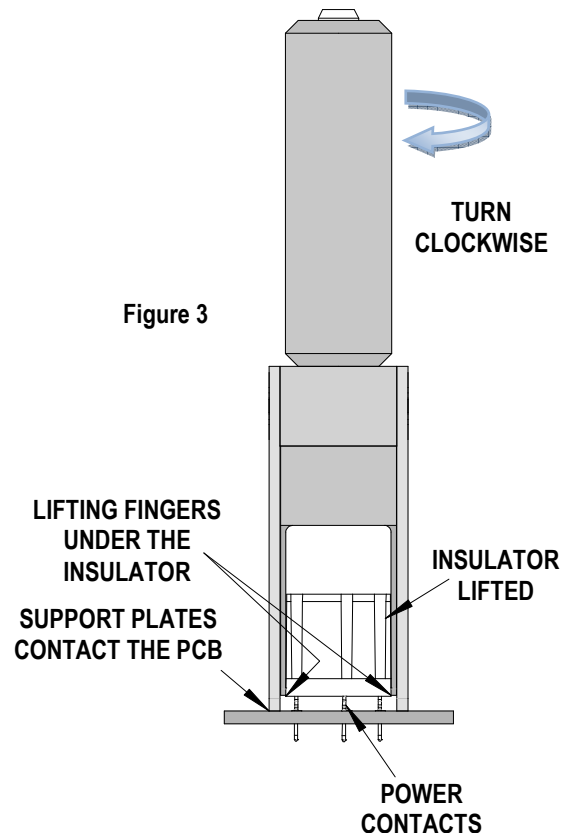
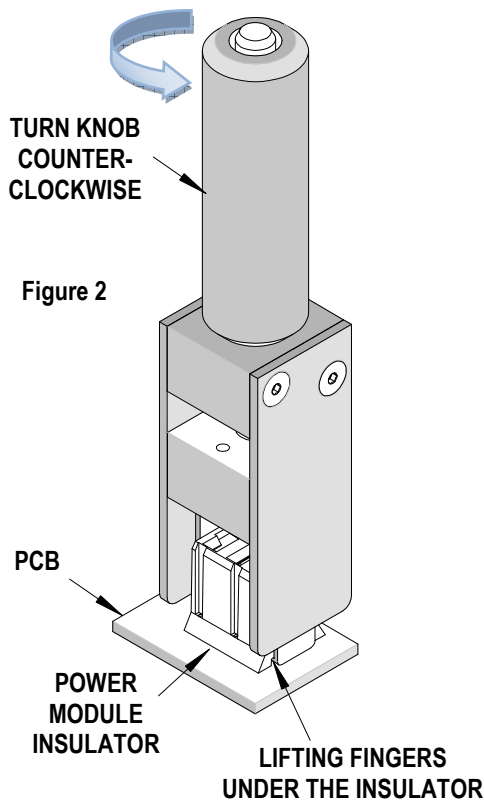


Figure 1

- Slide the lifting fingers down over the power module assembly until the lifting fingers snap under the insulator on both sides of the power module assembly. See Figure 2.

Note: The lifting fingers must snap under the insulator on each side of the power module assembly so it can be lifted off the printed circuit board.

- Lower the removal tool until the bottom of the support plates contact the printed circuit board surface.
- Turn the adjusting knob clockwise (CW) until the power insulator is removed from the PCB. See Figure 3.



Note: After removing the insulator from the PCB, some power contacts may remain in the board. This is not a tooling malfunction. Use removal tool 62100-1200 to extract the remaining contacts. Caution is required when a power contact is incorrectly gripped or pulled away at an angle, it could break off inside the PCB hole. After contacts are pulled out of the PCB, they should be discarded. The PCB should be free of any contact debris.

- With the removal tool away from the PCB, take the insulator out of the tool by turning the adjusting knob counterclockwise until the lifting jaws are exposed. Pull the insulator up slightly and slide it out of the side of the tool.

Maintenance

It is recommended that each operator of the tool be made aware of, and responsible for, the following maintenance steps:

1. Remove dust, moisture, and other contaminants with a clean brush, or soft, lint free cloth.
2. Do not use any abrasive materials that could damage the tool.
3. Make certain all pins; pivot points and bearing surfaces are protected with a thin coat of high quality machine oil. Do not oil excessively.
4. When tool is not in use, store in a clean, dry area.

CAUTION: Molex specifications are valid only when used with Molex terminals, applicators and tooling.

Contact Information

For more information on Molex application tooling please contact Molex at 1-800-786-6539.

Visit our Web site at <http://www.molex.com>