

4

3

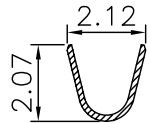
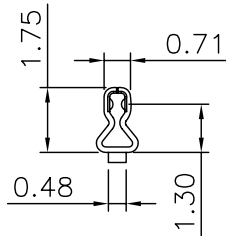
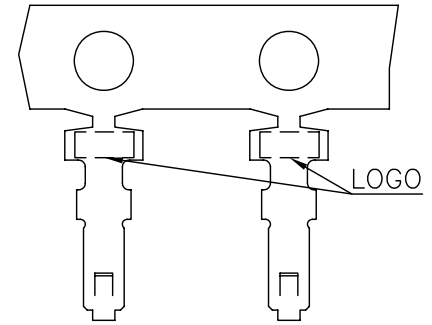
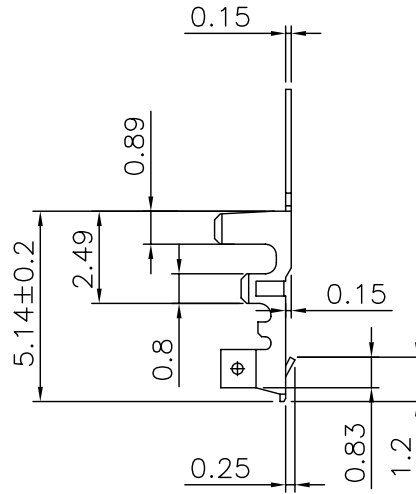
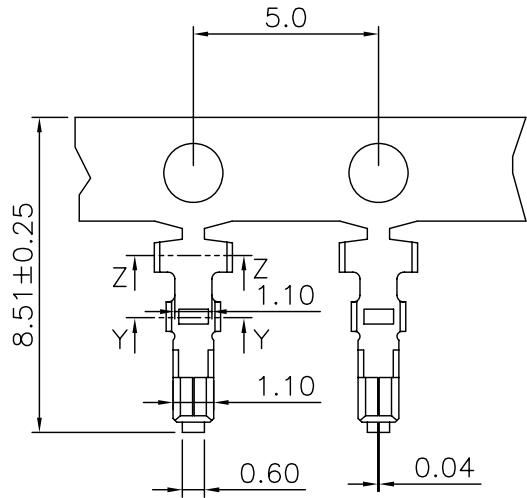
2

1

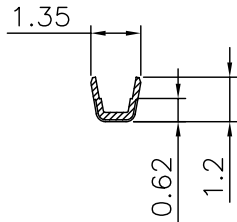
THIS DRAWING IS UNPUBLISHED. RELEASED FOR PUBLICATION AUG ,2006.

© COPYRIGHT 2009 BY TYCO ELECTRONICS CORPORATION. ALL RIGHTS RESERVED.

LOC		DIST		REVISIONS			
P	LTR	DESCRIPTION		DATE	DWN	APVD	
	A1	REVISED (ECR-09-018866)		24AUG09	JL	WK	



SECTION Z-Z



SECTION Y-Y

NOTES:

1. MATERIALS:
TERMINAL: PHOSPHOR BRONZE, THICKNESS=0.15mm.
2. FINISH:
TERMINAL: 100u" MIN. BRIGHT TIN PLATED OVER
50u" MIN. NICKEL UNDERPLATED ALL OVER.
3. APPLY HOUSING PART NO: X-1775441-X.
4. APPLICATION SPECIFICATION: 114-57018.
5. APPLICABLE WIRE RANGE: AWG #24~#30.

1775442-1
PART NUMBER

THIS DRAWING IS A CONTROLLED DOCUMENT.		DWN J. LAI 24AUG2009	Tyco Electronics Corporation Taipei, Taiwan													
DIMENSIONS: MM		CHK S. CHIEN 24AUG2009	NAME													
TOLERANCES UNLESS OTHERWISE SPECIFIED:		APVD W. KODAMA 24AUG2009	PRODUCT SPEC													
<table border="0"> <tr><td>0 PLC</td><td>± -</td></tr> <tr><td>1 PLC</td><td>± 0.20</td></tr> <tr><td>2 PLC</td><td>± 0.10</td></tr> <tr><td>3 PLC</td><td>± 0.05</td></tr> <tr><td>4 PLC</td><td>± -</td></tr> <tr><td>ANGLES</td><td>± 3'</td></tr> </table>		0 PLC	± -	1 PLC	± 0.20	2 PLC	± 0.10	3 PLC	± 0.05	4 PLC	± -	ANGLES	± 3'	APPLICATION SPEC		RESTRICTED TO
0 PLC	± -															
1 PLC	± 0.20															
2 PLC	± 0.10															
3 PLC	± 0.05															
4 PLC	± -															
ANGLES	± 3'															
MATERIAL SEE NOTE		WEIGHT 0.02 GRAMS	SIZE A3	CAGE CODE 00779												
SEE NOTE		DRAWING NO C-1775442		REV A1												
CUSTOMER DRAWING			SCALE -	SHEET 1 OF 2												

4

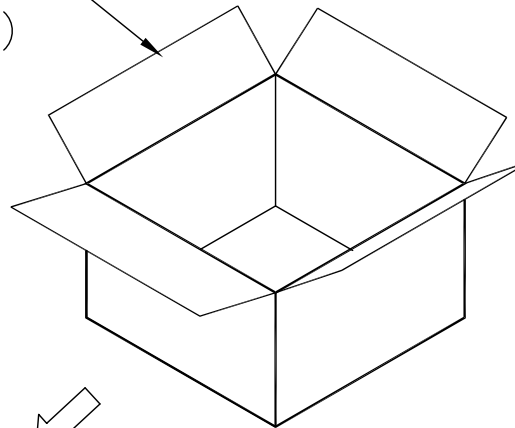
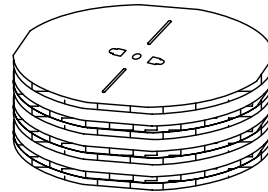
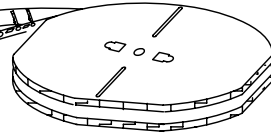
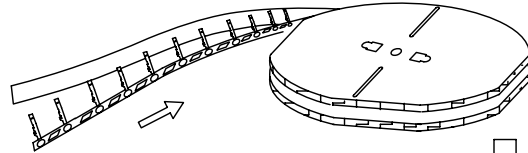
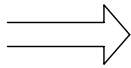
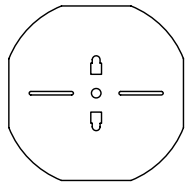
3

2

1

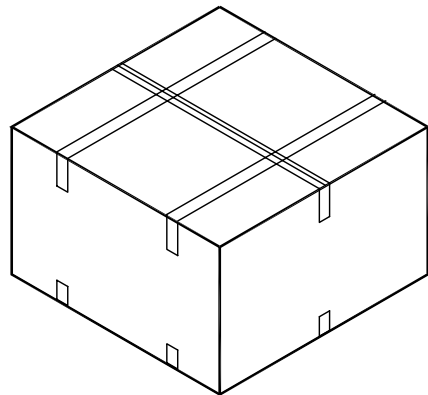
THIS DRAWING IS UNPUBLISHED. RELEASED FOR PUBLICATION AUG ,2006. ALL RIGHTS RESERVED. © COPYRIGHT 2009 BY TYCO ELECTRONICS CORPORATION.

LOC	DIST	REVISIONS		
DW		P	LTR	DESCRIPTION
				DATE
				DWN
				APVD
		SEE SHEET 1.		



582mm(L)X 582 mm(W)X 112mm(H)

CARTON



60000	15000	1775442-1
APQ (PCS/CARTON)	PPQ (PCS/REEL)	PART NUMBER

THIS DRAWING IS A CONTROLLED DOCUMENT.		DWN		Tyco Electronics Corporation	
DIMENSIONS: MM		CHK		Taipi, Taiwan	
TOLERANCES UNLESS OTHERWISE SPECIFIED:		APVD		NAME	
0 PLC ± -		PRODUCT SPEC		EMIX CONN., 1.5mm PITCH TERMINAL	
1 PLC ± -		APPLICATION SPEC		SIZE	
2 PLC ± -		WEIGHT		CAGE CODE	
3 PLC ± -		CUSTOMER DRAWING		DRAWING NO	
4 PLC ± -		SCALE		RESTRICTED TO	
ANGLES ± -		SHEET		REV	
FINISH		2 OF 2		A1	
MATERIAL		A300779		C=1775442	