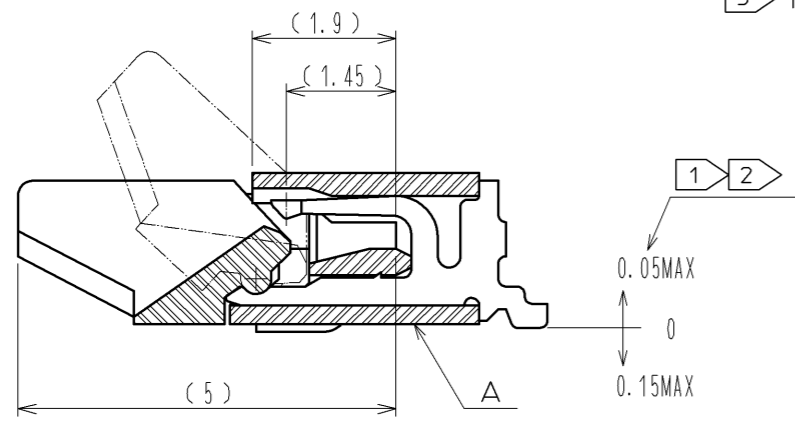
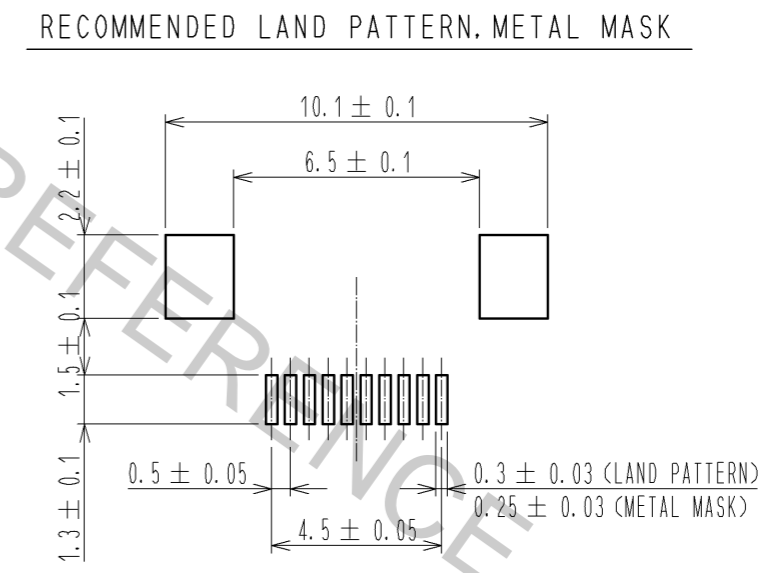
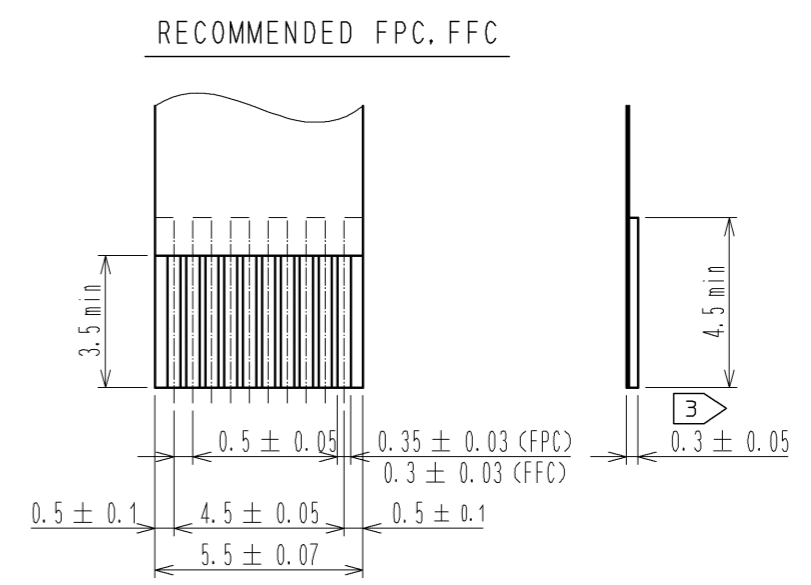


B-B (10 : 1)



- NOTE
- ① REFERENCE IS A.
  - ② LEAD CO-PLANARITY SHALL BE 0.1 MAX.
  - ③ THICKNESS OF SUPPORTING TAPE SHALL BE 0.188(7.5mil) MIN.

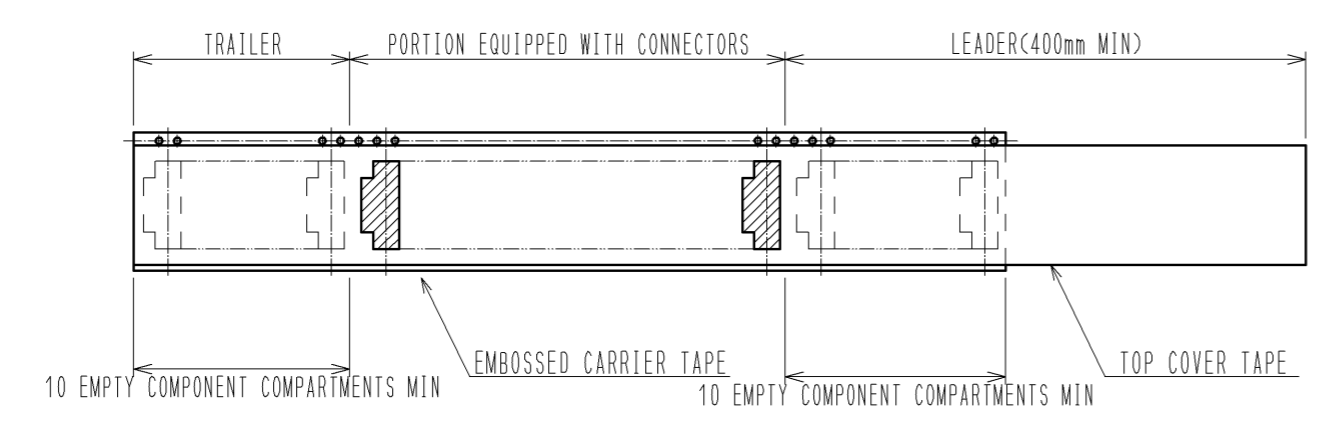
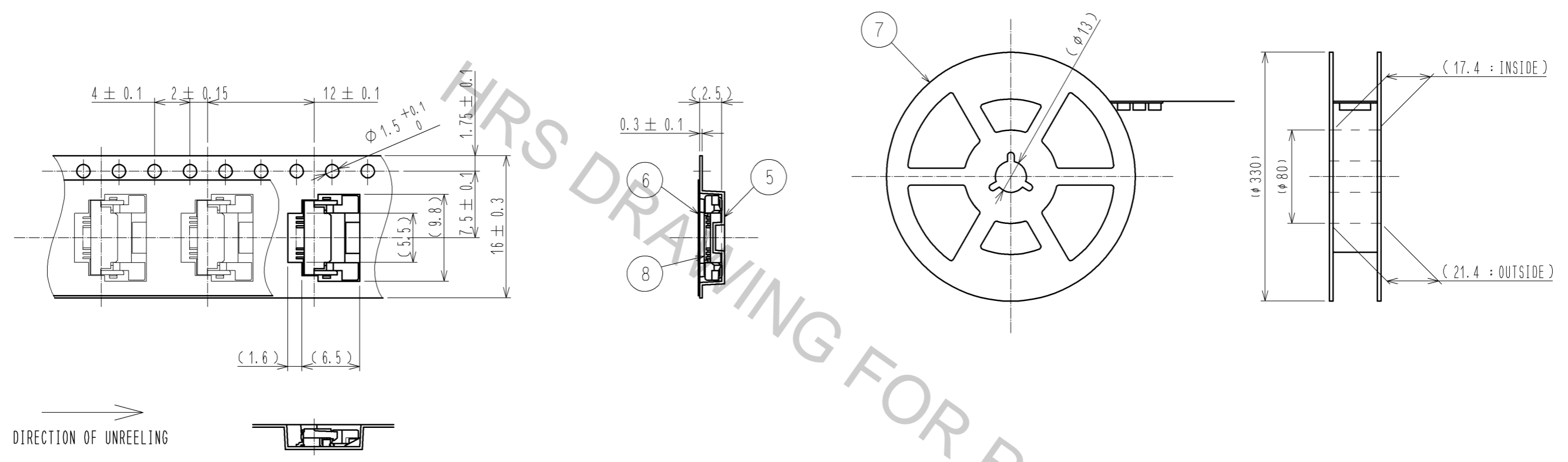


RECOMMENDED METAL MASK THICKNESS t=0.15

4	BRASS	TIN PLATING 1μmMIN OVER NICKEL 1μmMIN.	8	(CONNECTOR)	
3	PHOSPHOR BRONZE	GOLD PLATING 0.05μmMIN OVER NICKEL 1μmMIN.	7	POLYSTYRENE	
2	PPS	(DEEP BROWN) UL94V-0	6	POLYESTER	
1	POLYAMIDE	(BEIGE) UL94V-0	5	POLYSTYRENE	
NO.	MATERIAL	FINISH . REMARKS	NO.	MATERIAL	FINISH . REMARKS
UNITS	mm	SCALE	5 : 1	COUNT	1
DESCRIPTION OF REVISIONS			DESIGNED	CHECKED	DATE
DIS-F-002766			MK. YASUMI	HS. SAKAMOTO	09.11.17
APPROVED : RI. TAKAYASU 07.02.05			DRAWING NO. EDC3-150550-51		
CHECKED : TN. KUWATA 07.02.05			PART NO. FH12A-10S-0.5SH(55)		
DESIGNED : MK. YASUMI 07.02.02			CODE NO. CL586-0550-9-55		
DRAWN : MK. YASUMI 07.02.02			1/2		

EMBOSSED CARRIER TAPE DIMENSION(2:1)

REEL DIMENSION(FREE)



NOTE 4 THE DIMENSIONS IN PARENTHESES ARE FOR REFERENCE.  
 5 1 REEL:2000 CONNECTORS.

<DRAWING FOR PACKING>

<b>HRS</b>	DRAWING NO.	EDC3-150550-51	2/2
	PART NO.	FH12A-10S-0.5SH(55)	
	CODE NO.	CL586-0550-9-55	