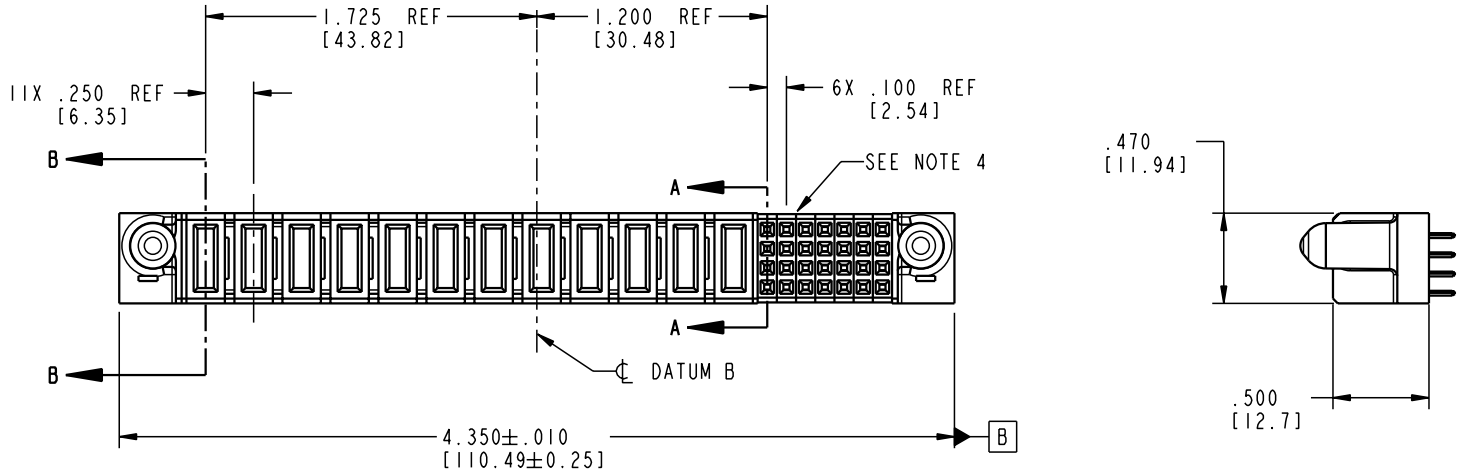


Tous droits strictement réservés. Reproduction ou communication o des liers interdite sous quelque forme que ce soit sans autorisation écrite du propriétaire. Propriete de c FCI. Droits de reproduction FCI.



All rights strictly reserved. Reproduction or issue to third parties in any form, whenever is not permitted without written authority from the proprietor. Property of FCI. Copyright FCI.

| PRODUCT NO. | ROWS | POWER | | | | | | | | | | | | SIGNAL | | | | | | | | | |
|-------------|------------------|-------|-----|-----|-----|----|----|----|----|----|----|----|----|--------|---|---|---|---|---|---|---|----|--|
| | | E2 | P12 | P11 | P10 | P9 | P8 | P7 | P6 | P5 | P4 | P3 | P2 | P1 | 7 | 6 | 5 | 4 | 3 | 2 | 1 | E1 | |
| 51751-004 | D C B A | | PD | PD | PD | PD | PD | PD | PA | PA | PA | PA | PA | PA | E | E | E | E | E | E | E | E | |



| CODE | DIM "M" MATING LENGTH | CONTACT TYPE |
|------|-----------------------|--------------|
| E | N/A [N/A] | SIGNAL |
| PA | .042 [1.07] | POWER |
| PD | .092 [2.34] | POWER |

| | | | | | | | | | | | |
|-------------|----------------|-----|----------|------------|---------------------------|---------------------------------------|--------------|----------|--|--|--|
| mat'l code | | | | SEE NOTE 2 | | tolerances unless otherwise specified | | CUSTOMER | | ELECTRONICS www.fciconnect.com | |
| ltr | ecn no. | dr | date | linear | .XX ± .01/0.X ± 0.3 | | COPY | | title 28S + 12P VERTICAL SOLDER RECEPTACLE | | |
| A | V20079 | JWS | 01-16-02 | | .XXX ± .005/0.XX ± 0.13 | | projection | | | | |
| | | | | angles | .XXX ± .0020/0.XX ± 0.051 | | | | product family PwrBlade code 213 | | |
| | | | | dr | J. SHAFFER | 01-16-02 | INCH/MM | | size A | | |
| | | | | engr | J. ALLISON | 01-16-02 | scale 1:1 | | dwg no 51751-004 sheet 1 of 4 | | |
| | | | | chr | J. ALLISON | 01-16-02 | | | | | |
| | | | | appd | J. ALLISON | 01-16-02 | | | | | |
| sheet index | revision sheet | A | A | A | A | | | | cage code 22526 | | |
| 1 | 2 | 3 | 4 | | | | | | | | |

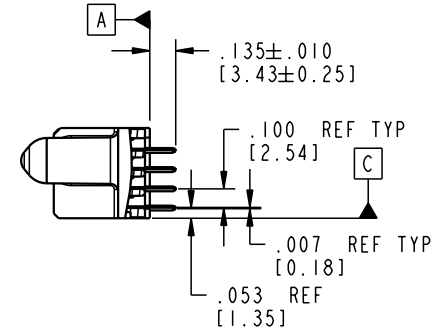
1 | 2 Pro/E 3 | 4

Tous droits strictement reserves. Reproduction ou communication a des tiers interdite sous quelque forme que ce soit sans autorisation écrite du propriétaire. Propriete de c FCI. Droits de reproduction FCI.

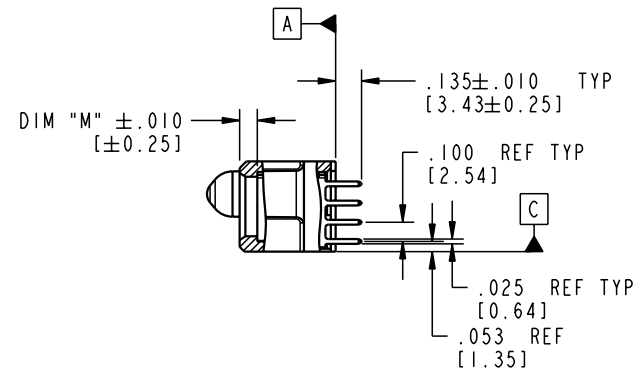


All rights strictly reserved. Reproduction or issue to third parties in any form whatever is not permitted without written authority from the proprietor. Property of FCI. Copyright FCI.

PRODUCT NUMBER
51751-004



SECTION A-A



SECTION B-B

| | | | | | | | | | |
|-------------|----------------|------------|------|---------------------------------------|---------------------------|----------|-------------|--|--|
| mat'l code | | SEE NOTE 2 | | tolerances unless otherwise specified | | CUSTOMER | | ELECTRONICS www.fciconnect.com | |
| ltr | ecr no. | dr | date | linear | .XX ± .01/0.X ± 0.3 | | COPY | | title 28S + 12P VERTICAL SOLDER RECEPTACLE |
| A | | | | | .XXX ± .005/0.XX ± 0.13 | | projection | | |
| | | | | angles | .XXX ± .0020/0.XX ± 0.051 | | | | product family PwrBlade code 213 |
| | | | | | 0 ± ° | | INCH/MM | | |
| | | | | dr | J. SHAFFER | 01-16-02 | scale | | size A dwg no 51751-004 sheet 2 |
| | | | | enr | J. ALLISON | 01-16-02 | 1:1 | | |
| | | | | chr | J. ALLISON | 01-16-02 | | | |
| | | | | appd | J. ALLISON | 01-16-02 | | | |
| sheet index | revision sheet | | | | | | | | |

cage code 22526

Pro/E

PDM: Rev:A

STATUS: Released

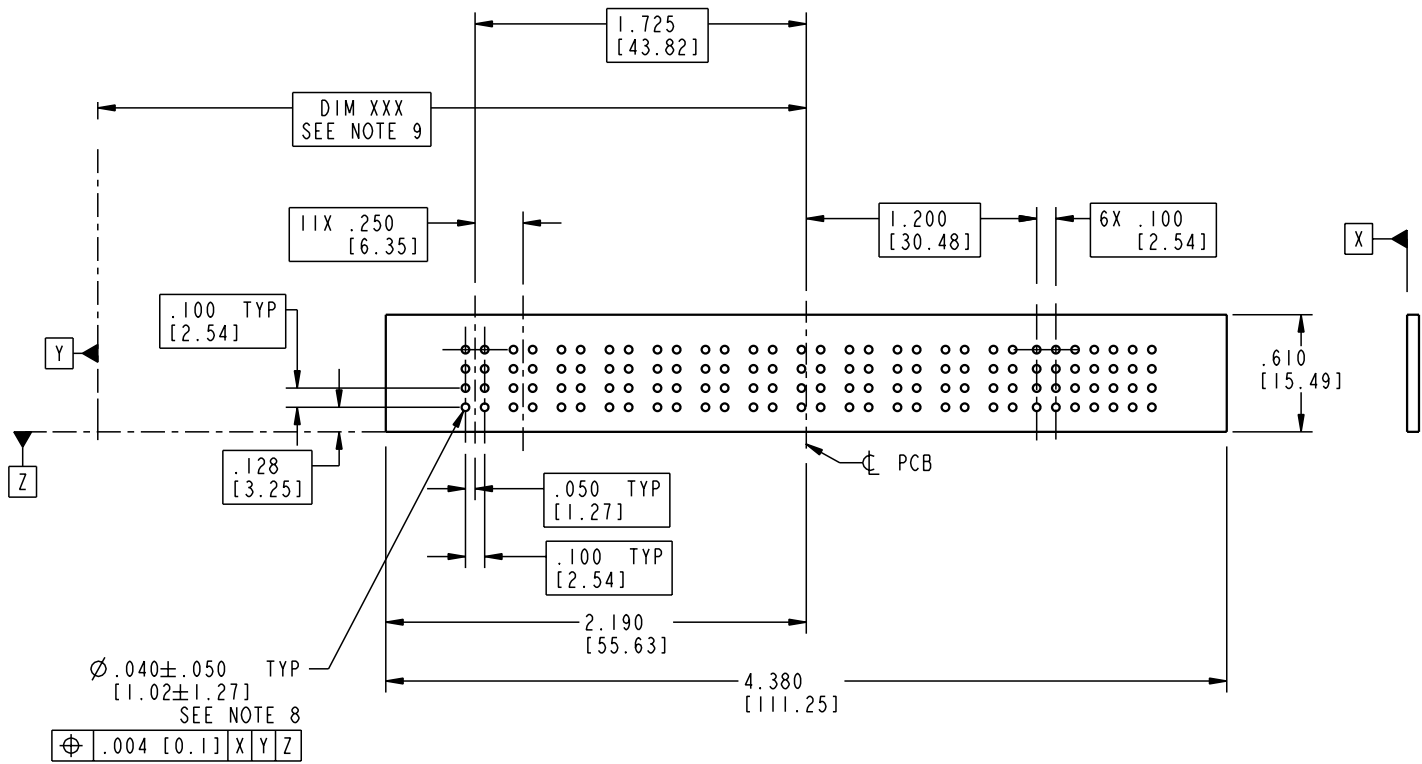
Printed: Dec 20, 2010

Tous droits strictement reserves. Reproduction ou communication a des tiers interdite sous quelque forme que ce soit sans autorisation ecrite du proprietaire. Propriete de c FCI. Droits de reproduction FCI.



All rights strictly reserved. Reproduction or issue to third parties in any form whatever is not permitted without written authority from the proprietor. Property of FCI. Copyright FCI.

PRODUCT NUMBER
51751-004



| | | | | | | | | | |
|-------------|----------------|------------|------|---------------------------------------|------------------------|------------|--|--|--|
| mat'l code | | SEE NOTE 2 | | tolerances unless otherwise specified | | CUSTOMER | | ELECTRONICS www.fciconnect.com | |
| ltr | ecm no. | dr | date | linear | .XX±.01/0.X±0.3 | COPY | | title | |
| A | | | | linear | .XXX±.005/0.XX±0.13 | projection | | 28S + 12P | |
| | | | | angles | .XXX±.0020/0.XXX±0.051 | | | VERTICAL SOLDER RECEPTACLE | |
| | | | | dr | J. SHAFFER 01-16-02 | INCH/MM | | product family | |
| | | | | engr | J. ALLISON 01-16-02 | scale | | PwrBlade | |
| | | | | chr | J. ALLISON 01-16-02 | 1:1 | | code | |
| | | | | appd | J. ALLISON 01-16-02 | | | 213 | |
| sheet index | revision sheet | | | | | | | size | |
| | | | | | | | | dwg no | |
| | | | | | | | | A 51751-004 | |
| | | | | | | | | sheet | |
| | | | | | | | | 3 | |

cage code 22526

Pro/E

Tous droits strictement réservés. Reproduction ou communication o des tiers interdite sous quelque forme que ce soit sans autorisation écrite du propriétaire. Propriete de c FCI. Droits de reproduction FCI.



All rights strictly reserved. Reproduction or issue to third parties in any form, whenever is not permitted without written authority from the proprietor. Property of FCI. Copyright FCI.

PRODUCT NUMBER
51751-004

NOTES:

1. DIMENSIONS AND TOLERANCES ARE IN ACCORDANCE WITH ASME Y14.5M, 1994 UNLESS OTHERWISE SPECIFIED.

CONNECTORS NOTES:

② HOUSING MATERIAL: UL 94 V-0 GLASS FILLED HIGH TEMP THERMO PLASTIC
POWER CONTACT MATERIAL: COPPER ALLOY
SIGNAL PIN MATERIAL: COPPER ALLOY

3. PLATING:

SIGNAL PINS: 30u"/0.76um Au OVER 50u"/1.27um Ni
POWER CONTACTS: 50u"/1.27um Ni UNDER ALL WITH 30u"/0.76um Au ON CONTACT AREA AND SnPb ON PCB INTERFACE

④ "MANUFACTURER" NAME, P/N, AND DATE CODE TO APPEAR ON THIS SURFACE.

5. PRODUCT SPECIFICATION GS-12-149.

PCB - NOTES:

6. ALL HOLE DIAMETERS ARE FINISHED HOLE SIZE.

⑦ HOLD DOWN THROUGH HOLES ARE UNPLATED.

⑧ $\varnothing .0453 \pm 0.0010$ [1.151 \pm 0.025] DRILLED HOLES PLATED WITH 0.0003 [0.008] MIN SnPb OVER .001 [0.03] TO .003 [0.08] Cu PLATING TO ACHIEVE $\varnothing .040 \pm .003$ [1.02 \pm .07] HOLE.

⑨ "DIM XXX" TO BE DETERMINED BY THE CUSTOMER.

| | | | | | | | | | | | |
|-------------|----------------|----|------|------------|-------------------------|---------------------------------------|------|----------|---|--|-----------|
| mat'l code | | | | SEE NOTE 2 | | tolerances unless otherwise specified | | CUSTOMER | | ELECTRONICS www.fciconnect.com | |
| ltr | ecn no. | dr | date | linear | .XX±.01/0.X±0.3 | | COPY | | title 28S + 12P VERTICAL SOLDER RECEPTACLE | | |
| A | | | | | .XXX±.005/0.XX±0.13 | | | | | | |
| | | | | angles | .XXXX±.0020/0.XXX±0.051 | | | | product family PwrBlade code 213 | | |
| | | | | dr | J. SHAFFER | 01-16-02 | | | size | | sheet 4 |
| | | | | engr | J. ALLISON | 01-16-02 | | | A | | 51751-004 |
| | | | | chr | J. ALLISON | 01-16-02 | | | | | |
| | | | | appd | J. ALLISON | 01-16-02 | | | | | |
| sheet index | revision sheet | | | | | | | | | | |

cage code 22526

Pro/E

PDM: Rev:A

STATUS: Released

Printed: Dec 20, 2010